

Front Suspensions:

Camber: -1

Total Toe: 0

Ride Height: 24 mm

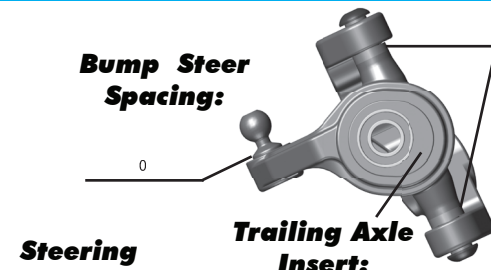
Arm Type: Flat, Standard Composite

Tower Type: Flat, Standard Composite

Caster Block Insert: 25

Kick-Up Angle: 5

Notes: Standard composite caster blocks and spindles

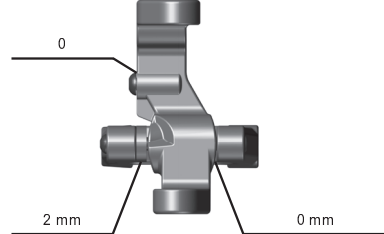


Axle Height:
Up
Middle
Down

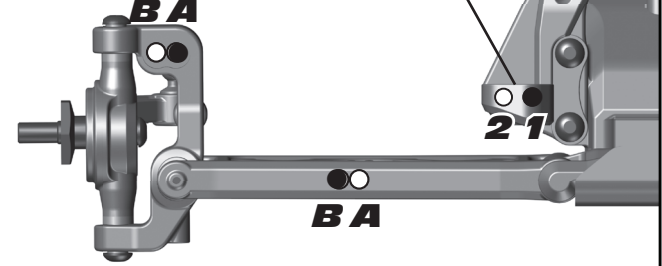


Steering Stop Spacing: 0

Trailing Axle Insert: 2mm 3mm 4mm



Caster Block Spacing:



Rear Suspension:

Camber: -1

Ride Height: 24 mm

Hub Spacing: Forward Middle Back

Notes:

Anti Roll Bar: None Black (1.2mm) Silver (1.3mm) Gold (1.4mm)

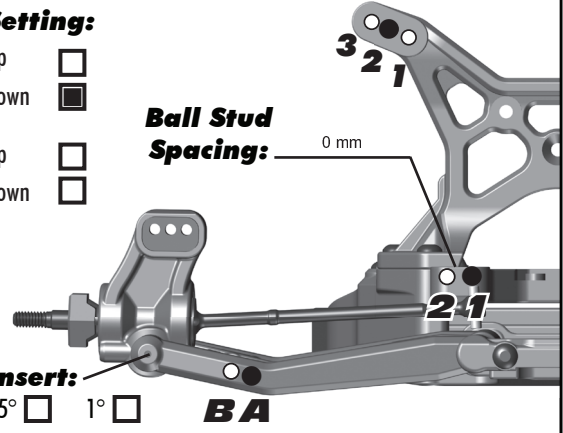
Rear Hub Link Setting:
A: Up Down
B: Up Down



Arm Mount: 3+2

Inboard Toe: 3

Anti-Squat: 2



Hub Insert: 0° 0.5° 1°

Electronics:

Radio: Airtronics M12 **Servo:** XP 1313

EPA: Throttle: 100 % **Brake:** 75 %

ESC: LRP Flow Works Team

ESC Settings: -

Motor: Reedy Sonic Mach 2

Wind: 8.0 **Timing:** 20

Pinion: 22 **Spur:** 81

Battery: Reedy SQ #314

Battery Position: Back

Drivetrain:

Differential:
Ball:
Setting: Standard to loose
Gear:
Oil: _____

Slipper Clutch:

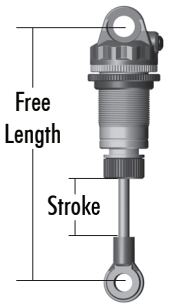
Type: AVID

of Pads: 3

Notes: White / White / White Pads

Shocks:

	Front	Rear
Piston:	3 x 1.4 Tapered	3 x 1.4 Tapered
Oil:	35	32.5
Spring:	Green	White
Limiters:	1	1
Cup Offset:	5 mm	5 mm
Stroke:	20.5 mm	26.5 mm
Free Length:		
Notes:	Factory Team X-Rings	



Track Info:

Size: Small Medium Large Extra Large

Surfaces: Dirt Carpet Astroturf Multi Surface

Traction: Low Medium High Very High

Moisture: Dry Damp Wet

Condition: Indoor Outdoor Dusty Hard Packed Bumpy Grooved Smooth Loamy

Temperature: Ambient: 75 Track: _____

Notes:

Tires:

Tires (F/R): JConcepts Barcode / JConcepts Barcode

Compound (F/R): Black / Black

Insert (F/R): Closed Cell / Closed Cell

Wheel (F/R): JConcepts Mono / JConcepts Mono

Notes:

Body & Wing:

Body: JConcepts Silencer

Wing: JConcepts High Clearance 6.5"

Wing Angle: 0° 3° 6°

Notes: Wicker lip cut to 1 line

Race Results:

Qualify: _____ **Main:** _____

Finish: _____ **TQ:**

Best Lap Time: _____

Vehicle Comments:

Total Vehicle Weight: 1570g