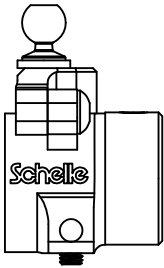
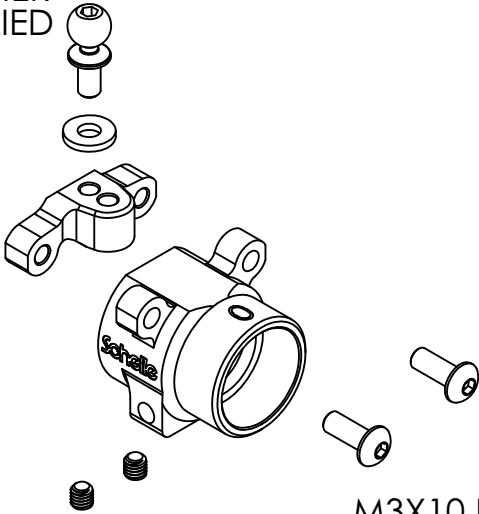


USE KIT 6MM LENGTH BALLSTUD

1MM WASHER  
HEIGHT= STANDARD  
POSITION



6MM BALLSTUD  
AND WASHER  
NOT SUPPLIED

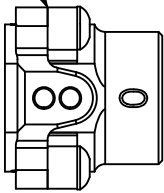


M3X3  
FLAT SET  
SCREWS PROVIDED

M3X10 BH  
SCREWS

2MM

FOR IN-BETWEEN  
LOCATIONS ADD 2MM  
SHIM 2 PLACES HERE



SAME HUB LEFT  
AND RIGHT SIDE

INSIDE POSITION=  
B (MIDDLE) ON KIT HUB

OUTSIDE POSITION=  
C (OUTER) ON KIT HUB

- SPARE PARTS:  
 SCH1093 B5 ALUMINUM HUBS, BLACK  
 SCH1094 B5 ALUMINUM HUBS, BLUE  
 SCH1095 B5 HUB CAP, BLACK  
 SCH1097 B5 HUB BEARING INSERTS

PROPRIETARY AND CONFIDENTIAL  
 THE INFORMATION CONTAINED IN THIS  
 DRAWING IS THE SOLE PROPERTY OF  
 SCHELLE RACING INNOVATIONS LLC. ANY  
 REPRODUCTION IN PART OR AS A WHOLE  
 WITHOUT THE WRITTEN PERMISSION OF  
 SCHELLE RACING INNOVATIONS LLC IS  
 PROHIBITED.

DIMENSIONS ARE IN MM TOLERANCES: ALL DIMENSIONS +/- 0.05MM UNLESS NOTED. ANGLES ARE +/- 0.5 DEGREE	NAME	DATE	SCHELLE RACING	
	DRAWN	KW		
	CHECKED			PART NAME
	SAMPLE QC			
MATERIAL	TEXT	NOTES:	SIZE A PART NUMBER 1100-1 REV. NEW SCALE:1:1 WEIGHT: SHEET 1 OF 1	
FINISH	TEXTURE WHERE NOTED			
DO NOT SCALE DRAWING				