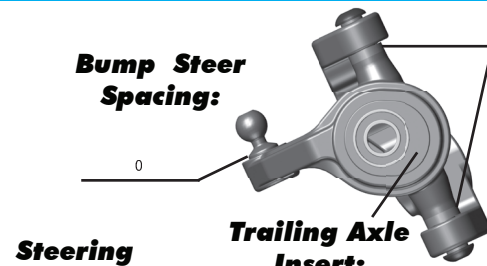


**Front Suspensions:**

**Camber:** -1/2 °  
**Total Toe:** -1/2 °  
**Ride Height:** 24 mm  
**Arm Type:** Flat, Standard Composite  
**Tower Type:** Flat, Carbon Composite  
**Caster Block Insert:** 5 °  
**Kick-Up Angle:** 25 °

**Notes:** Carbon composite caster block, spindles and tower;  
Trail inserts glued in;

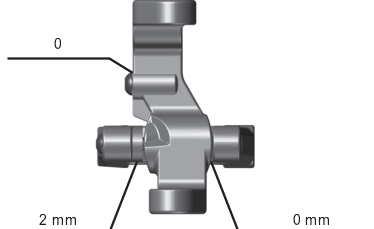


**Axle Height:**  
 Up   
 Middle   
 Down

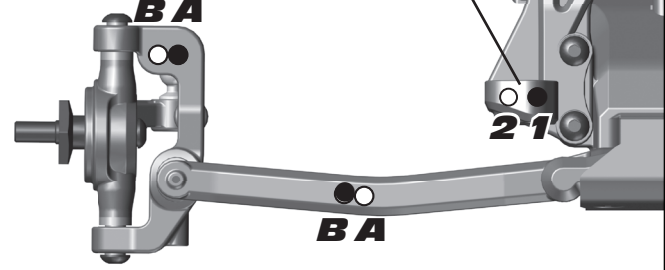


**Steering Stop Spacing:**  
 2mm  3mm  4mm

**Ball Stud Spacing:** 1 mm



**Caster Block Spacing:**



**Rear Suspension:**

**Camber:** -1/2 °  
**Ride Height:** 24 mm  
**Hub Spacing:**  
 Forward  Middle  Back

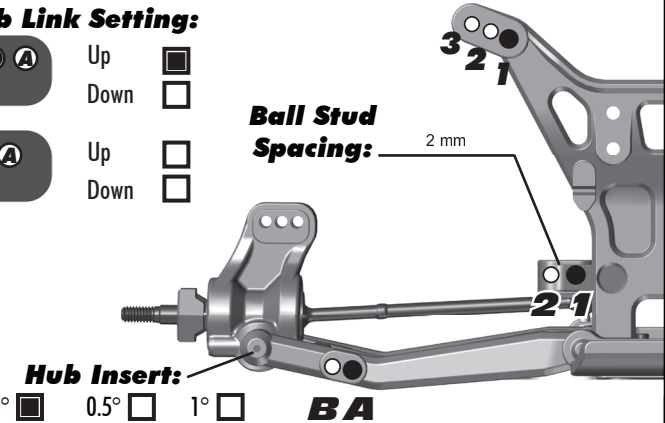
**Notes:** Factory Team Aluminum Arm Mounts

**Anti Roll Bar:**  
 None   
 Black (1.2mm)   
 Silver (1.3mm)   
 Gold (1.4mm)

**Rear Hub Link Setting:**  
 A  C  A   
 B  B  A   
 Up   
 Down   
 Up   
 Down



**Arm Mount:** 2.5 °  
**Inboard Toe:** 2 °  
**Anti-Squat:** 0°  0.5°  1°



**Electronics:**

**Radio:** Airtronics M12 **Servo:** XP 1313  
**EPA: Throttle:** 100 % **Brake:** 89 %  
**ESC:** Reedy Blackbox  
**ESC Settings:** N/A  
**Motor:** Reedy Sonic Mach2  
**Wind:** 7.0 **Timing:** 0  
**Pinion:** 23 **Spur:** 81  
**Battery:** Reedy Shorty #602  
**Battery Position:** Thin Pad Rear / Thick + Thin Pad Front

**Drivetrain:**

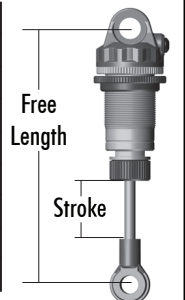
**Differential:**  
 Ball:   
 Setting: \_\_\_\_\_  
 Gear:   
 Oil: 2,000

**Slipper Clutch:**

**Type:** Schelle Nova  
**# of Pads:** 3  
**Notes:** White / White / Red Pads

**Shocks:**

	Front	Rear
<b>Piston:</b>	2 x 1.6 Kit	2 x 1.6 Kit
<b>Oil:</b>	35	32.5
<b>Spring:</b>	White	White
<b>Limiters:</b>	1	1
<b>Cup Offset:</b>	5 mm	5 mm
<b>Stroke:</b>	20.5 mm	26.5 mm
<b>Free Length:</b>	N/A	N/A
<b>Notes:</b>	Factory Team Clear X-Rings	



**Track Info:**

**Size:** Small  Medium  Large  Extra Large   
**Surfaces:** Dirt  Carpet  Astroturf  Multi Surface   
**Traction:** Low  Medium  High  Very High   
**Moisture:** Dry  Damp  Wet   
**Condition:** Indoor  Outdoor  Dusty  Hard Packed   
 Bumpy  Grooved  Smooth  Loamy

**Temperature: Ambient:** 80 **Track:** 80  
**Notes:** Sugared, but glazed

**Tires:**

**Tires (F/R):** JConcepts Dirt Webs / \_\_\_\_\_  
**Compound (F/R):** Red / \_\_\_\_\_  
**Insert (F/R):** Closed Cell / \_\_\_\_\_ Closed Cell  
**Wheel (F/R):** JConcepts Mono / \_\_\_\_\_ JConcepts Mono  
**Notes:** JConcepts Serrated Wheel Nuts

**Body & Wing:**

**Body:** JConcepts Silencer  
**Wing:** JConcepts B5 High Clearance 6.5" (Wicker lip cut to 1 line)  
**Wing Angle:** 0°  3°  6°   
**Notes:** Wing moved forward 5mm

**Race Results:**

**Qualify:** 2 **Main:** A  
**Finish:** 2 **TQ:**   
**Best Lap Time:** 22.0

**Vehicle Comments:**

Lunsford titanium screws; Transponder on top of servo; Factory Team Aluminum Shock Caps; UpGrade chassis tape;  
**Total Vehicle Weight:** 1632g