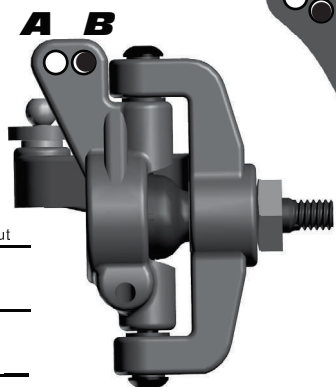


## Front Suspension

**Anti Roll Bar:**

**0.047" Black**   
**0.055" Silver**   
**None**


**Bumpsteer**
**Washer:** 0.030 In / 0.030 Out

**Camber:** \_\_\_\_\_ -2 \_\_\_\_\_

**Toe:** \_\_\_\_\_ -3 \_\_\_\_\_

**Ride Height:** \_\_\_\_\_ 21 mm \_\_\_\_\_

**Washers:** \_\_\_\_\_ 0.030 \_\_\_\_\_

**Steering Rack:**
**Front:** \_\_\_\_\_  
**Back:** \_\_\_\_\_

**1 0**
**Notes:** \_\_\_\_\_  
 \_\_\_\_\_  
 \_\_\_\_\_

## Rear Suspension

Reset Forms

**Anti Roll Bar:**

**0.047" Black**   
**0.055" Silver**   
**None**


**Camber:** \_\_\_\_\_ -2.5 \_\_\_\_\_

**Toe:** \_\_\_\_\_ 3.0 \_\_\_\_\_

**Ride Height:** \_\_\_\_\_ 21 mm \_\_\_\_\_

**Aluminum**
**Hub Tower:**

**A**   
**B**   
**C**

**Wheelbase:**

**Long**   
**Medium**   
**Short**

**Ballstud**
**Washers:** \_\_\_\_\_ 0.030 \_\_\_\_\_

**1 0**
**Notes:** \_\_\_\_\_  
 \_\_\_\_\_  
 \_\_\_\_\_

## Front Shocks

**Spring:** \_\_\_\_\_ Kyo 12mm Orange \_\_\_\_\_ **Piston:** \_\_\_\_\_ #2 \_\_\_\_\_

**Shock Oil:** \_\_\_\_\_ 40 wt Associated \_\_\_\_\_ **Limiter:** \_\_\_\_\_ 5 x 0.030 \_\_\_\_\_

## Rear Shocks

**Spring:** \_\_\_\_\_ Kyo 12mm Red \_\_\_\_\_ **Piston:** \_\_\_\_\_ Drilled #1 (#54 Bit) \_\_\_\_\_

**Shock Oil:** \_\_\_\_\_ 32.5 Associated \_\_\_\_\_ **Limiter:** \_\_\_\_\_ 2 x 0.030 \_\_\_\_\_

## Electronics

**Motor & Wind:** \_\_\_\_\_ Reedy Sonic 6.5 (20° Timing) \_\_\_\_\_

**Pinion:** \_\_\_\_\_ 18 \_\_\_\_\_

**Spur Gear:** \_\_\_\_\_ 81 \_\_\_\_\_

**Batteries:** \_\_\_\_\_ Reedy 60C SP 5200 mAh \_\_\_\_\_

**Battery Placement:** \_\_\_\_\_ Standard \_\_\_\_\_

**Ballast Weight:** \_\_\_\_\_ None \_\_\_\_\_

**Radio:** \_\_\_\_\_ Futaba 4PKS \_\_\_\_\_

**Throttle / Brake e.p.a.:** \_\_\_\_\_ 100% / 90% \_\_\_\_\_

**Throttle / Brake expo:** \_\_\_\_\_ 0% / 0% \_\_\_\_\_

**ESC:** \_\_\_\_\_ LRP SXX V2 TC \_\_\_\_\_ **ESC Software:** \_\_\_\_\_ 3.0 \_\_\_\_\_

**ESC Profile:** \_\_\_\_\_ 0 --- 0 --- 0 --- 0 \_\_\_\_\_

**Servo:** \_\_\_\_\_ XP 1015 \_\_\_\_\_ **Steering Expo:** \_\_\_\_\_ 0% \_\_\_\_\_

## Differentials

**Front Diff Setting:** \_\_\_\_\_ Tight \_\_\_\_\_

**Rear Diff Setting:** \_\_\_\_\_ Tigher \_\_\_\_\_

## Other

**Body Type:** \_\_\_\_\_ Pro-Line Bull Dog \_\_\_\_\_

**Wing Type:** \_\_\_\_\_ Pro-Line 5.5" \_\_\_\_\_ **Wing Angle:** \_\_\_\_\_ 9° \_\_\_\_\_

## Front Tires

**Tire:** \_\_\_\_\_ JConcepts Barcode \_\_\_\_\_

**Compound:** \_\_\_\_\_ Gold \_\_\_\_\_

**Insert:** \_\_\_\_\_ Proline Closed Cell \_\_\_\_\_

**Wheel:** \_\_\_\_\_ Associated \_\_\_\_\_

## Rear Tires

**Tire:** \_\_\_\_\_ Proline Suburb \_\_\_\_\_

**Compound:** \_\_\_\_\_ MC \_\_\_\_\_

**Insert:** \_\_\_\_\_ Proline Closed Cell \_\_\_\_\_

**Wheel:** \_\_\_\_\_ Associated \_\_\_\_\_

## Race and Vehicle Comments

**Qualify:** \_\_\_\_\_ 8 \_\_\_\_\_ **Main:** \_\_\_\_\_ A \_\_\_\_\_ **Finish:** \_\_\_\_\_ 6 \_\_\_\_\_ **TQ:** \_\_\_\_\_

**Comments:** \_\_\_\_\_  
 \_\_\_\_\_  
 \_\_\_\_\_

## Track Info

**Traction:** **High:**  **Medium:**  **Low:** 
**Smooth:**  **Bumpy:**  **Blue Groove:** 
**Soft Dirt:**  **Grass:**  **Clay:**  **Wet:** 
**Dusty:**  **Other:** \_\_\_\_\_