

## Setup Sheet

### Front Suspension

**Anti Roll Bar:**

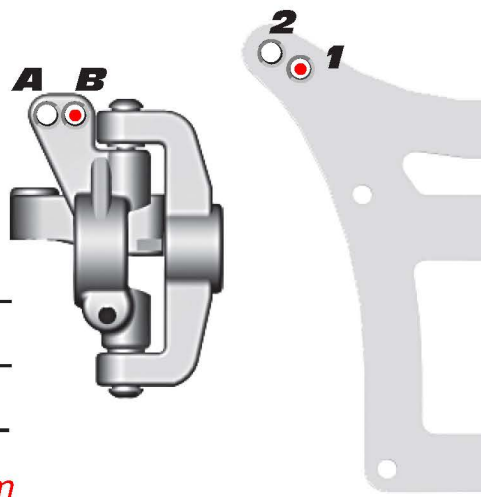
0.047" Black   
 0.055" Silver   
 None

**Bumpsteer Washer:** 2

**Camber:** -2°

**Toe:** 1°

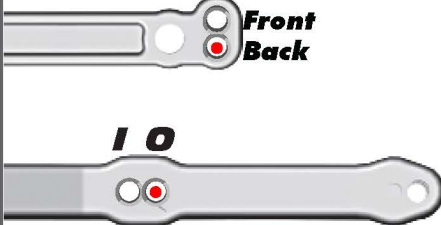
**Ride Height:** 20 mm



**Washers:** 2

**Steering Rack:**

Front Back



**Notes:**

2 rangées coupées ext et int minipin avt

### Rear Suspension

**Anti Roll Bar:**

0.047" Black   
 0.055" Silver   
 None

**Camber:** -2°

**Toe:** 3°+fusées 0°

**Ride Height:** 20 mm

**Aluminum Hub Tower:**

A   
 B

**Wheelbase:**

Long   
 Medium   
 Short

**Washers:** 2

**Notes:**

aucune rondelles d'antisquat

### Front Shocks

**Spring:** BBKyosho yellow

**Shock Oil:** 40

**Piston:** 2

**Limiter:** 2

### Electronics

**Motor & Wind:** Reedy 6.5

**Pinion:** 21

**Spur Gear:** 81

**Batteries:** Reedy 5200 60C

**Battery Placement:** ballast weight 88gr

### Rear Shocks

**Spring:** BBKyosho rouge

**Shock Oil:** 30

**Piston:** 2

**Limiter:** 1

**Radio:** Futaba 4PL

**Throttle / Brake e.p.a:** 100% / 78%

**Throttle / Brake expo:**

**ESC:** Orion R10

**Throttle Profile:** 4

**Initial Brake:** 0%

**Drag Brake:** 5%

**Servo:** SAVOX

**Steering Expo:**

### Differentials

**Front Diff Setting:** libre

**Rear Diff Setting:** libre

### Other

**Body Type:** PUNISHER

**Wing Type:** JCG

**Wing Angle:** 6°

### Front Tires

**Tire:** SCHUM MINIPIN

**Compound:** YELLOW

**Insert:** TUBBY SCHUM

**Wheel:** ASSOCIATED

### Rear Tires

**Tire:** SCHUM MINIPIN

**Compound:** YELLOW

**Insert:** TUBBY SCHUM

**Wheel:** ASSOCIATED

### Race and Vehicle Comments

**Qualify:** 1 **Main:** A **Finish:** 1 **TQ:**

**Comments:**

diff billes ceramiques Asso - bien serrés bien ajustés - Slipper tres desserré - dual rate 100% - pieces options rigidificateurs platines avt et arr. barre avt tendue +5mm

### Track Info

**Smooth:**  **Bumpy:**  **Blue Groove:**   
**Traction:**  **High:**  **Medium:**  **Low:**   
**Soft Dirt:**  **Grass:**  **Clay:**  **Wet:**   
**Dusty:**  **Other:** \_\_\_\_\_