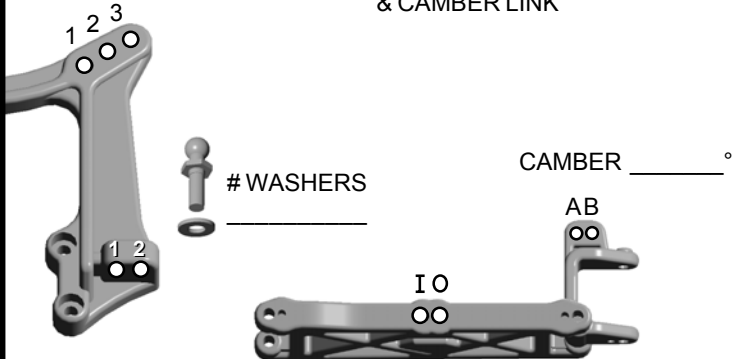


SETUP SHEET for the Team Associated RC10B4

Driver _____
 Track / City _____
 Event _____ Date _____

FRONT SHOCK MOUNTING & CAMBER LINK

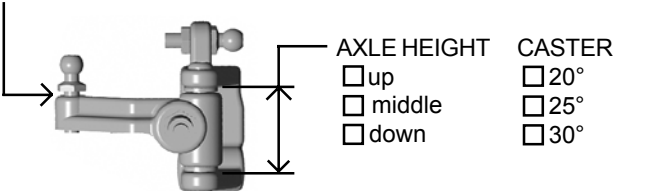


RIDE HEIGHT _____

CAMBER _____°

TOE-IN (+) / OUT (-) _____°

BUMP STEER SPACER _____



AXLE HEIGHT up middle down

CASTER 20° 25° 30°

STEERING BLOCK trailing inline

FRONT SHOCKS

OIL _____ wt

SPRING (color) _____ PISTON # _____

SHAFT unobtainium STD # LIMITERS _____

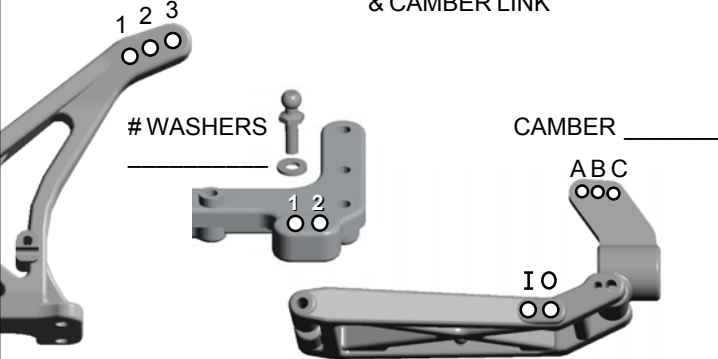
FRONT TIRES & WHEELS

FRONT TIRES _____

INSERTS _____ WHEELS _____

TRACTION COMPOUND _____

REAR SHOCK MOUNTING & CAMBER LINK



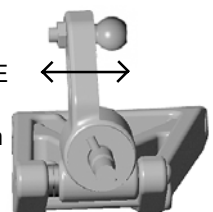
RIDE HEIGHT _____

CAMBER _____°

ANTI-SQUAT 0° 1° 2° 3°

ANTI-ROLL BAR none black (soft) silver (med) gold (heavy)

WHEELBASE long medium short



REAR SHOCKS

OIL _____ wt

SPRING (color) _____ PISTON # _____

SHAFT unobtainium STD # LIMITERS _____

REAR TIRES & WHEELS

REAR TIRES _____

INSERTS _____ WHEELS _____

RADIO/BATTERIES	MOTOR	OTHER
RADIO _____ SERVO _____	MOTOR & WIND _____	BODY _____
ESC _____	BRUSHES _____	WING _____
DRAG BRAKE _____ INIT BRAKE _____	SPRING _____	WING ANGLE <input type="checkbox"/> 0° <input type="checkbox"/> 3° <input type="checkbox"/> 6°
BATTERY PLACEMENT <input type="checkbox"/> front <input type="checkbox"/> rear	PINION / SPUR _____ / _____	CHASSIS _____
BATTERIES _____		

CONDITIONS

<input type="checkbox"/> smooth	<input type="checkbox"/> sandy
<input type="checkbox"/> bumpy	<input type="checkbox"/> soft dirt
<input type="checkbox"/> low traction	<input type="checkbox"/> grass
<input type="checkbox"/> med traction	<input type="checkbox"/> blue groove
<input type="checkbox"/> high traction	<input type="checkbox"/> clay
<input type="checkbox"/> wet	<input type="checkbox"/> dusty
<input type="checkbox"/> dry	<input type="checkbox"/> other

COMMENTS