

SETUP SHEET

RC10B3



- Numbers in squares are cross-referenced to those in the #6194 Complete Tuning Guide: B3.
- Numbers in circles refer to features in drawings on this page.

driver _____
 track / city _____
 event _____ date _____

FRONT SUSPENSION

4 **1** CASTER 25° 30°

5 **2** FRONT RIDE HEIGHT ARMS LEVEL other SLIGHTLY BELOW LEVEL

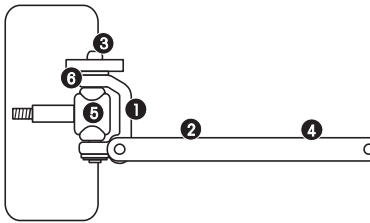
1 **3** CAMBER -2 °

6 **4** ANTI ROLL BAR NONE
 THICK
 THIN
 other _____

3 **5** TOE-IN 1.5 ° TOE-OUT _____ °

8 **6** BUMP STEER SPACERS _____

7 STEERING ACKERMAN STD OPTIONAL



FRONT SHOCKS

15 BODY STD GRAY other _____
 BODY .89 other _____

17 SHAFT .71 other _____
 SHAFT STD Unobtainium

20 LIMITERS, inside 2
 LIMITERS, outside _____

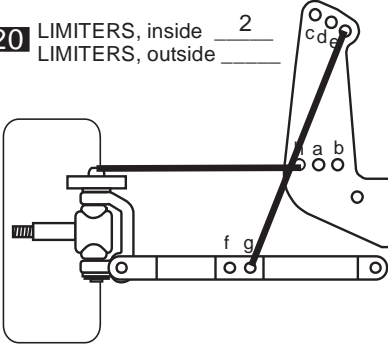
18 PISTON # 2

19 SPRING SILVER

16 OIL 30 wt

2 CAMBER LINK ADJ tower: a / b / (h)

21 SHOCK MOUNTING tower: c / d / (e) arm: f / (g)



REAR SUSPENSION

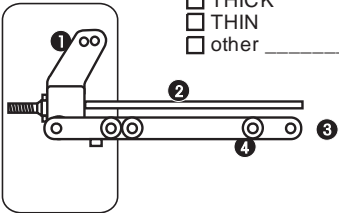
11 **1** CAMBER -1.5 °

14 **2** REAR RIDE HEIGHT BONES LEVEL other SLIGHTLY BELOW LEVEL

10 MIP CVD's DOGBONES UNIVERSALS

13 **3** TOE-IN / **9** ANTI-SQUAT 4.5

6 **4** ANTI ROLL BAR NONE
 THICK
 THIN
 other _____



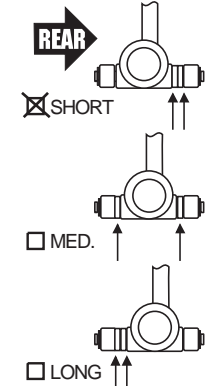
38 WHEELBASE ADJUSTMENT

REAR

SHORT

MED.

LONG



REAR SHOCKS

15 BODY STD GRAY other _____
 BODY 1.32 other _____

17 SHAFT 1.02 other _____
 SHAFT STD Unobtainium

20 LIMITERS, in 4.5
 LIMITERS, out _____

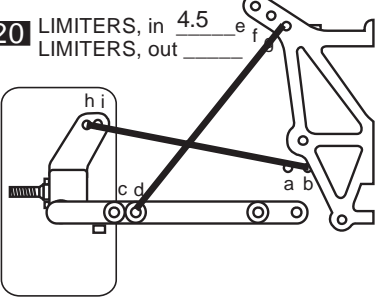
18 PISTON # 3

19 SPRING SILVER

16 OIL 30 wt

22 SHOCK MOUNTING tower: e / f / (g) arm: c / (d)

12 CAMBER LINK ADJ on tower: a / (b) arm: (h) / i



OTHER

37 WEIGHT IN BULKHEAD _____ **41** _____

40 BODY _____ WING

23 FRONT TIRES PRO-LINE 8175 M3 **24** FOAM 3/4 FOAM

23 REAR TIRES PRO-LINE 8089 M3 **24** FOAM FULL FIRM

TRACTION COMPOUND _____

PRO-LINE WIDE WHEELS FRONT & REAR

25 FRONT WHEELS 1 PC. 3 PC. other _____

REAR WHEELS 1 PC. 3 PC. other _____

36 CHASSIS STD SHORT LONG GRAPHITE

31 MOTOR 11 X 2

32 BRUSH _____ **33** SPRING _____

34 PINION 19 T **35** SPUR 81 T

39 SLIPPER ASSOC. HYDRA VISCOUS
 SLIPPER STD looser tighter

26 BATTERIES 2000

27 BATTERY PLACED FRONT F-MIDDLE MID R-MIDDLE REAR

28 RADIO M8 **29** SERVO AIRTRONICS **30** SPD. CONT. LRP

42 TRACK CONDITIONS

SURFACE smooth bumpy BUMPS: _____

TRACTION low med. high

COMPOSITION

sandy soft dirt grass clay other _____

wet dry dusty other _____

other: _____

43 RACE COMMENTS

MAIN _____ PLACE _____ TQ

NOTES _____

44 BUGGY COMMENTS

NOTES Faster corner speed
 Can also try Losi X-2000 in rear on wide rim
 and Losi Full Rib on wide wheel.