

SETUP SHEET

RC10B3

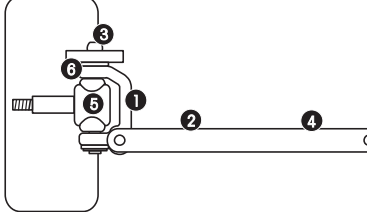


- Numbers in squares are cross-referenced to those in the #6194 Complete Tuning Guide: B3.
- Numbers in circles refer to features in drawings on this page.

driver _____
 track / city _____
 event _____ date _____

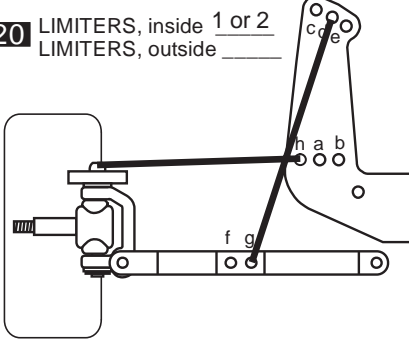
FRONT SUSPENSION

4 **1** CASTER 25° 30°
5 **2** FRONT RIDE HEIGHT ARMS LEVEL other SLIGHTLY BELOW LEVEL
1 **3** CAMBER -1.5°
6 **4** ANTI ROLL BAR NONE
 THICK
 THIN
 other _____
3 **5** TOE-IN 1° TOE-OUT _____°
8 **6** BUMP STEER SPACERS _____
7 STEERING ACKERMAN STD OPTIONAL



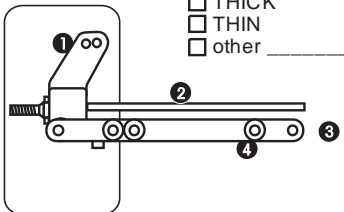
FRONT SHOCKS

15 BODY STD GRAY other _____
 BODY .89 other _____
17 SHAFT .71 other _____
 SHAFT STD Unobtainium
20 LIMITERS, inside 1 or 2
 LIMITERS, outside _____
18 PISTON # 2
19 SPRING T3 rear blue,
 cut so 7.25 coils
16 OIL 35 wt remain
2 CAMBER LINK ADJ
 tower: a / b / h
21 SHOCK MOUNTING
 tower: c / d / e arm: f / g



REAR SUSPENSION

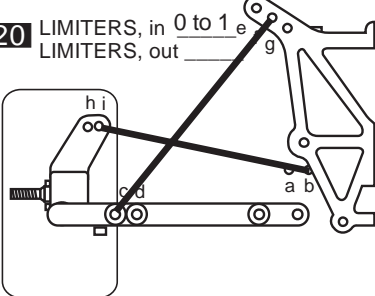
11 **1** CAMBER -1.5°
14 **2** REAR RIDE HEIGHT
 BONES LEVEL other _____
10 MIP CVD's DOGBONES UNIVERSALS
13 **3** TOE-IN / **9** ANTI-SQUAT 3-0
6 **4** ANTI ROLL BAR NONE
 THICK
 THIN
 other _____



38 WHEELBASE ADJUSTMENT
 REAR
 SHORT
 TO
 MED.
 LONG

REAR SHOCKS

15 BODY STD GRAY other _____
 BODY 1.32 other _____
17 SHAFT 1.02 other _____
 SHAFT STD Unobtainium
20 LIMITERS, in 0 to 1 e
 LIMITERS, out _____
18 PISTON # 1
19 SPRING SILVER
16 OIL 30 wt
22 SHOCK MOUNTING
 tower: e / f / g arm: c / d
12 CAMBER LINK ADJ
 on tower: a / b arm: h / i



OTHER

37 WEIGHT IN BULKHEAD _____ **41** _____
40 BODY _____ WING
23 FRONT TIRES PRO-LINE 8175 M3 **24** FOAM 3/4 white
 rear buggy
23 REAR TIRES PRO-LINE SQ FUZZ **24** FOAM full white rear
 TRACTION COMPOUND _____
 PRO-LINE WIDE WHEELS FRONT & REAR
25 FRONT WHEELS 1 PC. 3 PC. other _____
 REAR WHEELS 1 PC. 3 PC. other _____
36 CHASSIS STD SHORT LONG GRAPHITE
31 MOTOR 11 X 2
32 BRUSH _____ **33** SPRING _____
34 PINION 19 T **35** SPUR 81 T
39 SLIPPER ASSOC. HYDRA VISCOUS
 SLIPPER STD looser tighter
26 BATTERIES 2000
27 BATTERY PLACED FRONT F-MIDDLE MID R-MIDDLE REAR
28 RADIO M8 **29** SERVO AIRTRONICS **30** SPD. CONT. LRP

42 TRACK CONDITIONS

SURFACE smooth bumpy BUMPS: _____
 TRACTION low med. high
 COMPOSITION
 sandy soft dirt grass clay other _____
 wet dry dusty other _____
 other: _____

43 RACE COMMENTS

MAIN _____ PLACE _____ TQ
 NOTES _____

44 BUGGY COMMENTS

NOTES Battery is middle to 1/2 pad off bulkhead.

