

SETUP SHEET

RC10B3

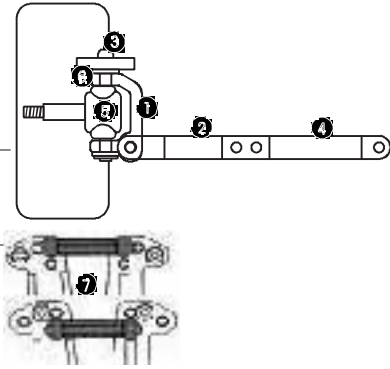
TEAM ASSOCIATED

OFFERT par www.petitrc.fr

driver DEL COURT Jérôme
 track / city Fleury Les Aubrais
 event French Champion's Cup date 18&19/11/2000

FRONT SUSPENSION

- 1 CASTER 25° 30°
- 2 FRONT RIDE HEIGHT ARMS LEVEL other Slightly bellow arm level
- 3 CAMBER -1°
- 4 ANTI ROLL BAR NONE
 THICK
 THIN
 other _____
- 5 TOE-IN 0° TOE-OUT 1°
- 6 BUMP STEER SPACERS 0
- 7 STEERING ACKERMAN STD
 OPTIONAL

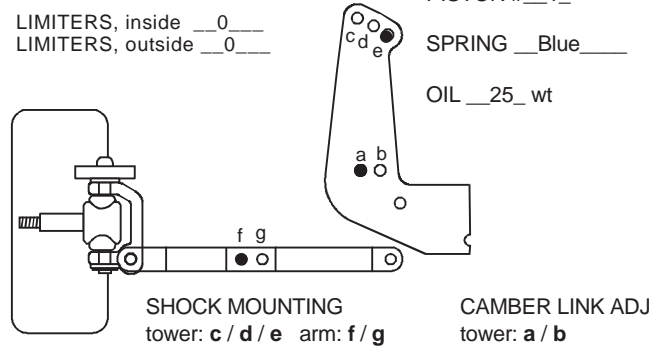


FRONT SHOCKS

- BODY STD GRAY other _____
- BODY .89 other _____
- SHAFT .71 other _____
- SHAFT STD Unobtainium

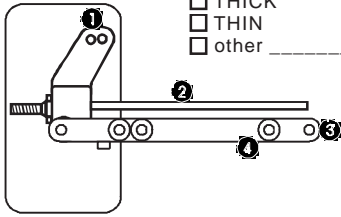
LIMITERS, inside 0
 LIMITERS, outside 0

PISTON # 1
 SPRING Blue
 OIL 25 wt

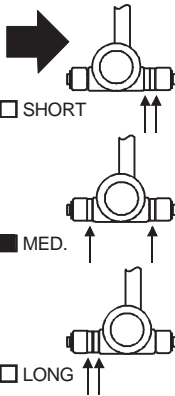


REAR SUSPENSION

- 1 CAMBER -1°
- 2 REAR RIDE HEIGHT BONES LEVEL other _____
- MIP CVD's DOGBONES UNIVERSALS
- 3 TOE-IN / ANTI-SQUAT 2-3 3-4.5 3-0 mount
- 4 ANTI ROLL BAR NONE
 THICK
 THIN
 other _____



WHEELBASE ADJUSTMENT

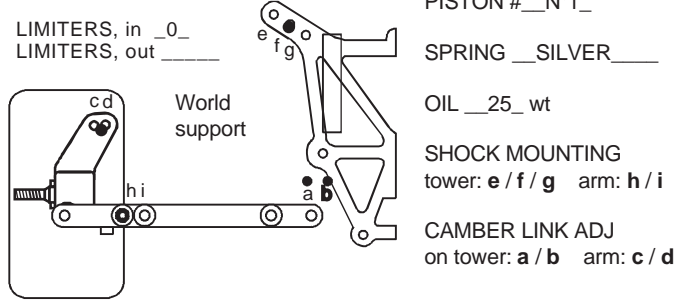


REAR SHOCKS

- BODY STD GRAY other _____
- BODY 1.32 other _____
- SHAFT 1.02 other _____
- SHAFT STD Unobtainium

LIMITERS, in 0
 LIMITERS, out _____

PISTON # N°1
 SPRING SILVER
 OIL 25 wt



OTHER

WEIGHT IN BULKHEAD 20 Grs
 BODY Pro-Line Deja Vu Tu WING
 FRONT TIRES Mini Pin Yellow FOAM Yes
 REAR TIRES Mini Pin Yellow FOAM Yes
 FRONT WHEELS 1 PC. 3 PC. other _____
 REAR WHEELS 1 PC. 3 PC. other _____
 CHASSIS STD SHORT LONG GRAPHITE

MOTOR NAME ORION 10 x 3 PINION 19 SPUR 81_T
 BRUSHES _____ SPRING STD

NOTES _____

SLIPPER ASSOC. HYDRA VISCOUS OIL _____

BATTERIES Reedy 2000 PLACEMENT FRONT MIDDLE REAR

RADIO Hitec SPD. CONT. Cyclone SERVO KO 2015

TRACK CONDITIONS

SURFACE smooth bumpy BUMPS: _____
 TRACTION low med. high
 COMPOSITION
 sandy soft dirt grass clay other Carpet
 wet dry dusty other _____
 other: _____

RACE COMMENTS

MAIN A PLACE 3 TQ

NOTES _____

CAR COMMENTS

NOTES _____