

SETUP SHEET RC10B3

2TEAM ASSOCIATED

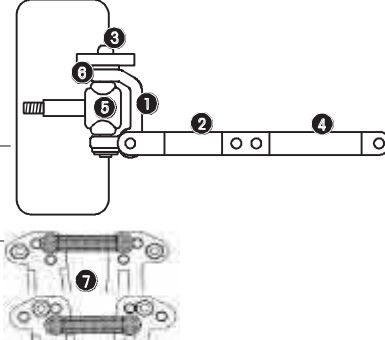
PETIT R/C - <http://www.petitrc.fr.st>

driver Guy DEWERD

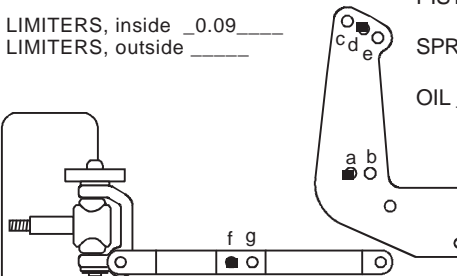
track / city Epelheim Allemagne

event LRP Challenge 1999 date 12/1999

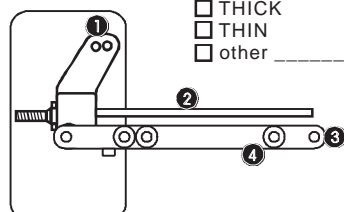
FRONT SUSPENSION

- ① CASTER 25° 30°
 - ② FRONT RIDE HEIGHT ARMS LEVEL other Légèrement plus bas
 - ③ CAMBER - 1 °
 - ④ ANTI ROLL BAR NONE
 THICK
 THIN
 other
 - ⑤ TOE-IN 0 ° TOE-OUT 0 °
 - ⑥ BUMP STEER SPACERS 0
 - ⑦ STEERING ACKERMAN STD
- OPTIONAL
- 

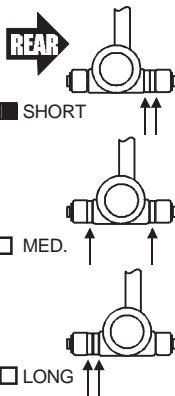
FRONT SHOCKS

- BODY STD GRAY other
 - BODY .89 other
 - SHAFT .71 other
 - SHAFT STD Unobtainium
- LIMITERS, inside .09
LIMITERS, outside
- PISTON # 1
SPRING Vert
OIL 30 wt
- 
- SHOCK MOUNTING tower: c / d / e arm: f / g
CAMBER LINK ADJ tower: a / b

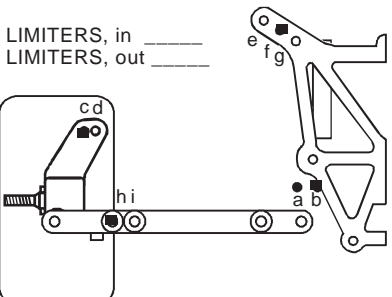
REAR SUSPENSION

- ① CAMBER °
 - ② REAR RIDE HEIGHT
 BONES LEVEL other
 MIP CVD's DOGBONES UNIVERSALS
 - ③ TOE-IN / ANTI-SQUAT 2-3 3-3 3-0 mour
 - ④ ANTI ROLL BAR NONE
 THICK
 THIN
 other
- 

WHEELBASE ADJUSTMENT



REAR SHOCKS

- BODY STD GRAY other
 - BODY 1.32 other
 - SHAFT 1.02 other
 - SHAFT STD Unobtainium
- LIMITERS, in
LIMITERS, out
- PISTON # 2
SPRING Silver
OIL 25 wt
- SHOCK MOUNTING tower: e / f / g arm: h / i
CAMBER LINK ADJ on tower: a / b arm: c / d
- 

OTHER

- WEIGHT IN BULKHEAD 25 Grs
- BODY Std WING
- FRONT TIRES Ballon Jaune FOAM
- REAR TIRES Stagede jaune FOAM
- FRONT WHEELS 1 PC. 3 PC. other New Wide
- REAR WHEELS 1 PC. 3 PC. other New Wide
- CHASSIS STD SHORT LONG GRAPHITE

MOTOR NAME PINION T SPUR T
BRUSHES SPRING

NOTES

SLIPPER ASSOC. HYDRA VISCOUS OIL 80 - 2 crans

BATTERIES ORION VMAX PLACEMENT FRONT MIDDLE REAR

RADIO SPD. CONT. SERVO

TRACK CONDITIONS

- SURFACE smooth bumpy BUMPS:
- TRACTION low med. high
- COMPOSITION
- sandy soft dirt grass clay other
- wet dry dusty other
- other:

revision 9/14/98

RACE COMMENTS

MAIN PLACE TQ

NOTES

CAR COMMENTS

NOTES