

SETUP SHEET

RC10B3

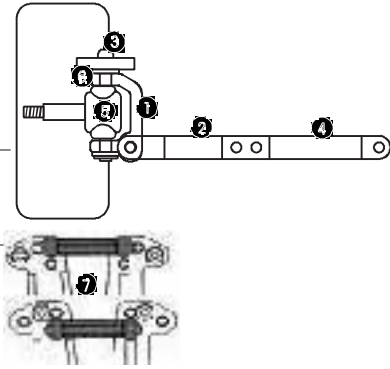
TEAM ASSOCIATED

OFFERT par www.petitrc.fr

driver BOUILLARD Martial
 track / city St Denis de l'hôtel
 event FRENCH CUP date 17/09/2000

FRONT SUSPENSION

- 1 CASTER 25° 30°
- 2 FRONT RIDE HEIGHT ARMS LEVEL other _____
- 3 CAMBER - 1 °
- 4 ANTI ROLL BAR NONE
 THICK
 THIN
 other _____
- 5 TOE-IN 0 ° TOE-OUT 0 °
- 6 BUMP STEER SPACERS 0
- 7 STEERING ACKERMAN STD
 OPTIONAL

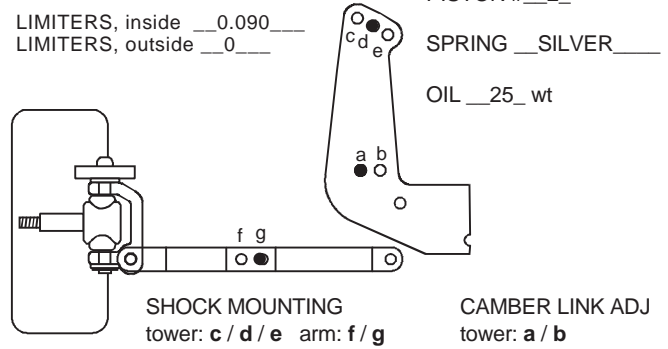


FRONT SHOCKS

- BODY STD GRAY other _____
- BODY .89 other _____
- SHAFT .71 other _____
- SHAFT STD Unobtainium

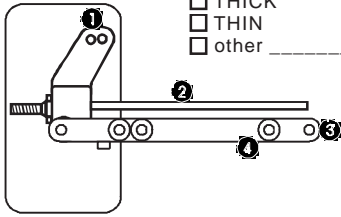
LIMITERS, inside 0.090
 LIMITERS, outside 0

PISTON # 2
 SPRING SILVER
 OIL 25 wt

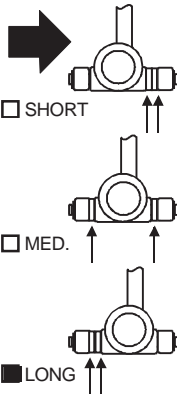


REAR SUSPENSION

- 1 CAMBER -2 °
- 2 REAR RIDE HEIGHT
- BONES LEVEL other _____
- MIP CVD's DOGBONES UNIVERSALS
- 3 TOE-IN / ANTI-SQUAT 2-1.5 3-3 3-0 mount
- 4 ANTI ROLL BAR NONE
 THICK
 THIN
 other _____



WHEELBASE ADJUSTMENT

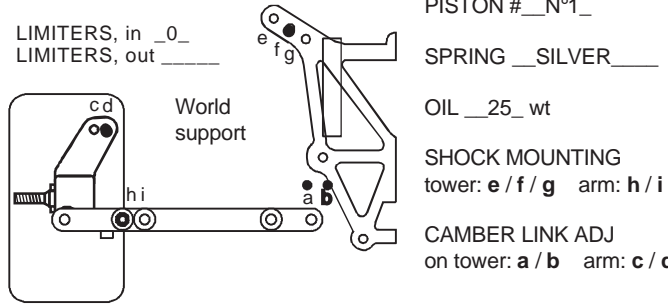


REAR SHOCKS

- BODY STD GRAY other _____
- BODY 1.32 other _____
- SHAFT 1.02 other _____
- SHAFT STD Unobtainium

LIMITERS, in 0
 LIMITERS, out _____

PISTON # N°1
 SPRING SILVER
 OIL 25 wt



OTHER

WEIGHT IN BULKHEAD 10 G
 BODY Pro Line Deja Vu WING
 FRONT TIRES YELLOW SLIM FOAM NO
 REAR TIRES BALLON YELLOW FOAM Schum Bleu
 FRONT WHEELS 1 PC. 3 PC. other _____
 REAR WHEELS 1 PC. 3 PC. other _____
 CHASSIS STD SHORT LONG GRAPHITE

MOTOR NAME Reedy Sonic 2 PINION 18 T SPUR 83 T
 BRUSHES Reedy 762X SPRING STD

NOTES _____
 SLIPPER ASSOC. HYDRA VISCUOUS OIL 80 Asso 3 crans
 BATTERIES RC2000 PLACEMENT FRONT MIDDLE REAR
 RADIO Exzes SPD. CONT. Cyclone SERVO 9450

TRACK CONDITIONS

SURFACE smooth bumpy BUMPS: _____
 TRACTION low med. high
 COMPOSITION
 sandy soft dirt grass clay other _____
 wet dry dusty other _____
 other: _____

RACE COMMENTS

MAIN A PLACE 9 TQ
 NOTES _____

CAR COMMENTS

NOTES _____