

SETUP SHEET RC10B3

TEAM ASSOCIATED

driver BILLY EASTON
 track / city RAUMA, FINLAND
 event 1999 IFMAR 2WD OFF ROAD WORLDS date Aug. 2-8, 1999

- Numbers in squares are cross-referenced to those in the #6194 Complete Tuning Guide: B3.
- Numbers in circles refer to features in drawings on this page.

FRONT SUSPENSION

4 **1** CASTER 25° 30°

5 **2** FRONT RIDE HEIGHT ARMS LEVEL other SLIGHTLY BELOW LEVEL

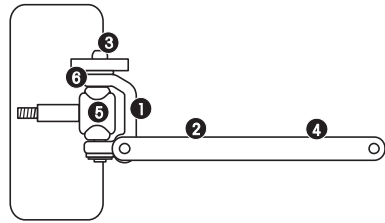
1 **3** CAMBER -2°

6 **4** ANTI ROLL BAR NONE
 THICK
 THIN
 other _____

3 **6** TOE-IN 1.5° TOE-OUT 0°

8 **6** BUMP STEER SPACERS 0

7 STEERING ACKERMAN STD OPTIONAL



FRONT SHOCKS

15 BODY STD GRAY other _____
 BODY .89 other _____

17 SHAFT .71 other _____
 SHAFT STD Unobtainium

20 LIMITERS, inside 1
 LIMITERS, outside 0

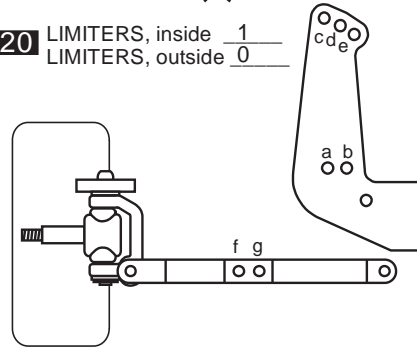
18 PISTON # 2

19 SPRING BLUE

16 OIL 35 wt

2 CAMBER LINK ADJ tower: (a) (b)

21 SHOCK MOUNTING tower: (c) (d) (e) arm: (f) (g)



REAR SUSPENSION

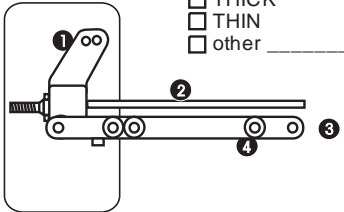
11 **1** CAMBER -1°

14 **2** REAR RIDE HEIGHT BONES LEVEL other _____

10 MIP CVD's DOGBONES UNIVERSALS

13 **3** TOE-IN / **9** ANTI-SQUAT 2-3 3-3 3-0

6 **4** ANTI ROLL BAR NONE
 THICK
 THIN
 other _____



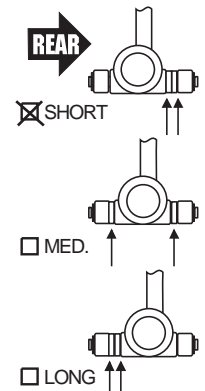
38 WHEELBASE ADJUSTMENT

REAR

SHORT

MED.

LONG



REAR SHOCKS

15 BODY STD GRAY other _____
 BODY 1.32 other _____

17 SHAFT 1.02 other _____
 SHAFT STD Unobtainium

20 LIMITERS, in 0
 LIMITERS, out 0

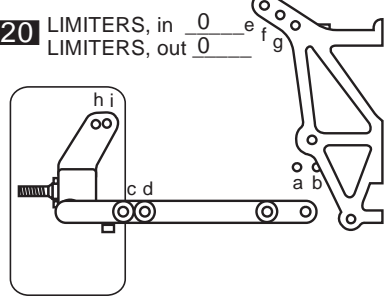
18 PISTON # 1

19 SPRING SILVER

16 OIL 30 wt

22 SHOCK MOUNTING tower: (e) (f) (g) arm: (c) (d)

12 CAMBER LINK ADJ on tower: (a) (b) hub: (h) (i)



OTHER

37 WEIGHT IN BULKHEAD 1 OZ **41**

40 BODY PRO-LINE WING

23 FRONT TIRES PRO-LINE RIB **24** FOAM GREY

23 REAR TIRES PRO-LINE SQ FUZZIE **24** FOAM WHITE

TRACTION COMPOUND _____

25 FRONT WHEELS 1 PC. 3 PC. other PRO-LINE WIDE

REAR WHEELS 1 PC. 3 PC. other PRO-LINE WIDE

36 CHASSIS STD SHORT LONG GRAPHITE

31 MOTOR REEDY TRI-SONIC

32 BRUSH REEDY 737X **33** SPRING STD

34 PINION 19 T **35** SPUR 81 T

39 SLIPPER ASSOC. HYDRA VISCOUS
 SLIPPER STD looser tighter

26 BATTERIES REEDY ZAPPERS

27 BATTERY PLACED FRONT F-MIDDLE MID R-MIDDLE REAR

28 RADIO M8 **29** SERVO LRP V7.2 **30** SPD. CONT. AIRTRONICS

42 TRACK CONDITIONS

SURFACE smooth bumpy BUMPS: _____

TRACTION low med. high

COMPOSITION

sandy soft dirt grass clay other _____

wet dry dusty other _____

other: _____

43 RACE COMMENTS

MAIN A PLACE 4 TQ

NOTES _____

44 BUGGY COMMENTS

NOTES NEW REAR SHOCK TOWER USED.