

Front Suspension:

| |
|---|
| Ride Height: |
| Camber: |
| Toe: |
| Anti-Roll Bar: |
| Wheelbase Shim: |
| Wheel Hex: |
| Caster Block: |
| 7° <input type="checkbox"/> 10° <input type="checkbox"/> 13° <input type="checkbox"/> |
| Notes: |
| |
| |
| |
| |
| |
| |

Axle Height:

+3

+2

+1

0

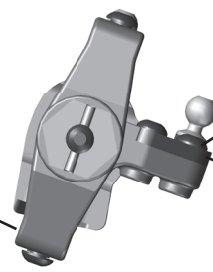
Arm Mount A:

LRC HRC 1° 0.5°



Arm Mount B:

LRC HRC 1° 0.5°

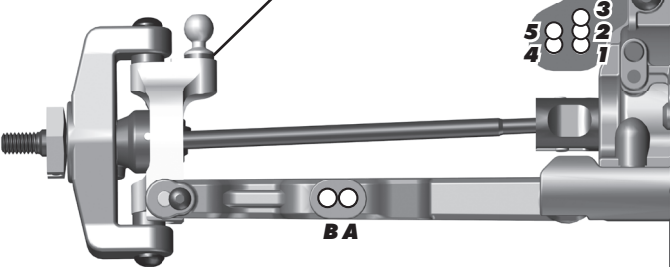


Bump Steer Spacing:

Ball Stud Spacing:

Steering Plate:

Ball Stud Spacing:



Rear Suspension:

| |
|--|
| Ride Height: |
| Camber: |
| Anti-Roll Bar: |
| Wheelbase Shim: |
| Wheel Hex: |
| Hub Spacing: |
| Forward <input type="checkbox"/> Middle <input type="checkbox"/> Back <input type="checkbox"/> |
| Gearbox Shim: Yes <input type="checkbox"/> No <input type="checkbox"/> |
| Chassis Brace: Short <input type="checkbox"/> Long <input type="checkbox"/> |
| Notes: |
| |
| |
| |

Arm Mount C:

LRC HRC 1° 0.5°



Arm Mount D:

LRC HRC 1° 0.5°

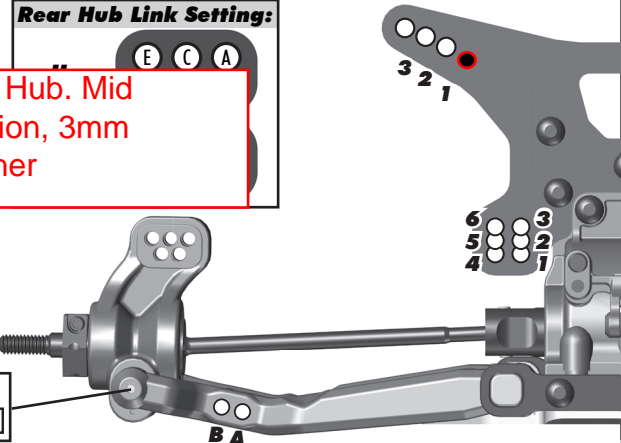


Rear Hub Link Setting:

Alloy Hub. Mid Position, 3mm Washer

Hub Insert:

+3 +2 +1 0



Electronics:

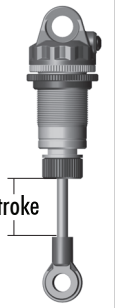
| | |
|----------------------------------|----------------|
| Radio: | Servo: |
| EPA: Throttle: % Brake: % | |
| ESC: | |
| ESC Settings: | |
| Motor: | |
| Wind: | Timing: |
| Pinion: | Spur: |
| Battery: | |
| Battery Position: | |

Differential:

| |
|---|
| Front Fluid: |
| Gears: Plastic <input type="checkbox"/> Metal <input type="checkbox"/> |
| Center Fluid: |
| Gears: Plastic <input type="checkbox"/> Metal <input type="checkbox"/> |
| Rear Fluid: |
| Gears: Plastic <input type="checkbox"/> Metal <input type="checkbox"/> |
| Slipper Clutch: |
| Type: |
| # of Pads: |

Shocks:

| | Front | Rear |
|-----------------------|-------|------|
| Piston: | | |
| Fluid: | | |
| Spring: | | |
| Limiters: | | |
| Stroke: | | |
| Eyelet Length: | | |
| Cup Offset: | | |
| Notes: | | |



Track Info:

| |
|---|
| Size: Small <input type="checkbox"/> Medium <input type="checkbox"/> Large <input type="checkbox"/> Extra Large <input type="checkbox"/> |
| Surface: Dirt <input type="checkbox"/> Carpet <input type="checkbox"/> Astroturf <input type="checkbox"/> Multi Surface <input type="checkbox"/> |
| Traction: Low <input type="checkbox"/> Medium <input type="checkbox"/> High <input type="checkbox"/> Very High <input type="checkbox"/> |
| Moisture: Dry <input type="checkbox"/> Damp <input type="checkbox"/> Wet <input type="checkbox"/> |
| Condition: Indoor <input type="checkbox"/> Outdoor <input type="checkbox"/> Dusty <input type="checkbox"/> Hard Packed <input type="checkbox"/> |
| Bumpy <input type="checkbox"/> Grooved <input type="checkbox"/> Smooth <input type="checkbox"/> Loamy <input type="checkbox"/> |
| Temperature: Ambient: _____ Track: _____ |
| Notes: |

Tires:

| |
|------------------------|
| Front Tires: |
| Front Compound: |
| Front Insert: |
| Rear Tires: |
| Rear Compound: |
| Rear Insert: |
| Wheel (F/R): |
| Notes: |

Body, Wing, Weight:

| |
|--|
| Body: |
| Wing: |
| Wing Angle: 0° <input type="checkbox"/> 3° <input type="checkbox"/> 6° <input type="checkbox"/> |
| Chassis Weights: |
| None <input type="checkbox"/> 15g <input type="checkbox"/> 30g <input type="checkbox"/> Other <input type="checkbox"/> |
| Other Weights: |
| Total Vehicle Weight: |

Vehicle Comments:

Notes: