

## Front Suspension:

|                        |                                     |
|------------------------|-------------------------------------|
| <b>Ride Height:</b>    | 16mm                                |
| <b>Camber:</b>         | -1.5                                |
| <b>Toe:</b>            | +1                                  |
| <b>Anti-Roll Bar:</b>  | 1.6                                 |
| <b>Wheelbase Shim:</b> | front                               |
| <b>Wheel Hex:</b>      | 5mm                                 |
| <b>Caster Block:</b>   | 7° 10° 13° <input type="checkbox"/> |
| <b>Notes:</b>          |                                     |
|                        |                                     |
|                        |                                     |
|                        |                                     |
|                        |                                     |
|                        |                                     |

**Axle Height:**

+3

+2

+1

0

**Bump Steer Spacing:** 2mm

**Ball Stud Spacing:** 0mm

**Steering Plate:** kit

**Ball Stud Spacing:** 0mm

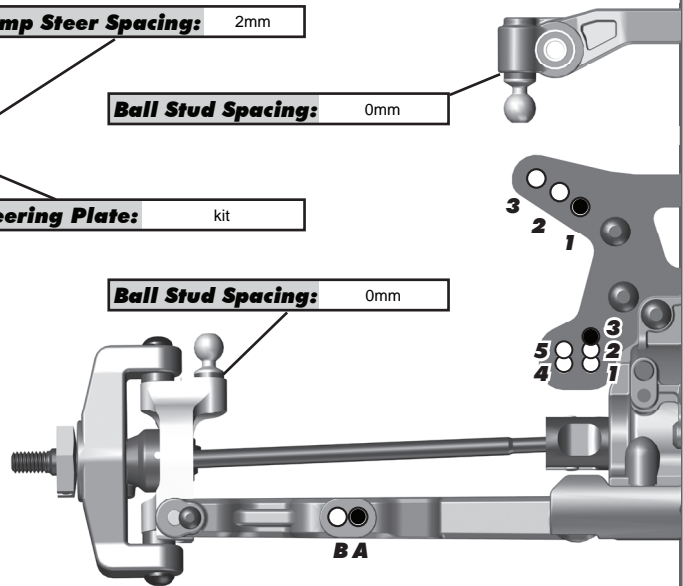
**Arm Mount A:**

LRC  HRC  1°  0.5°



**Arm Mount B:**

LRC  HRC  1°  0.5°



## Rear Suspension:

|                        |   |
|------------------------|---|
| <b>Ride Height:</b>    | 16mm  |
| <b>Camber:</b>         | -2  |
| <b>Anti-Roll Bar:</b>  | 1.8   |
| <b>Wheelbase Shim:</b> | front   |
| <b>Wheel Hex:</b>      | 5mm   |
| <b>Hub Spacing:</b>    | Forward Middle <input checked="" type="checkbox"/> Back |
| <b>Gearbox Shim:</b>   | Yes No <input type="checkbox"/>                         |
| <b>Chassis Brace:</b>  | Short Long <input type="checkbox"/>                     |
| <b>Notes:</b>          |   |
|                        |   |
|                        |   |

**Arm Mount C:**

LRC  HRC  1°  0.5°



**Arm Mount D:**

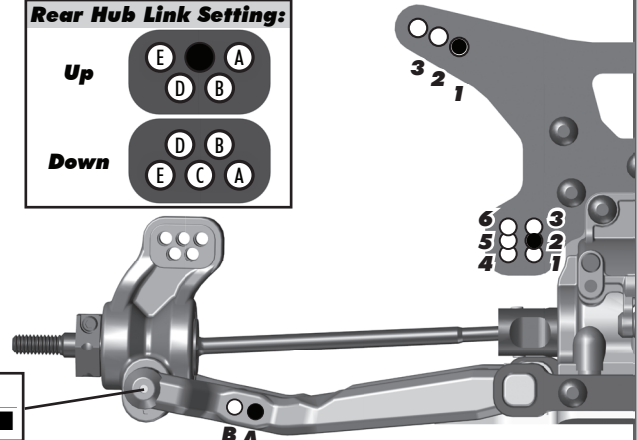
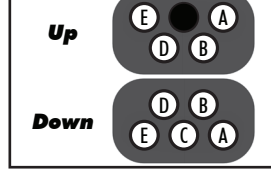
LRC  HRC  1°  0.5°



**Hub Insert:**

+3  +2  +1  0

### Rear Hub Link Setting:



## Electronics:

|                          |       |                |       |
|--------------------------|-------|----------------|-------|
| <b>Radio:</b>            | M12   | <b>Servo:</b>  | Reedy |
| <b>EPA: Throttle:</b>    | 100 % | <b>Brake:</b>  | 83 %  |
| <b>ESC:</b>              | Reedy |                |       |
| <b>ESC Settings:</b>     |       |                |       |
| <b>Motor:</b>            | Reedy |                |       |
| <b>Wind:</b>             | 6.0   | <b>Timing:</b> | 20    |
| <b>Pinion:</b>           | 20    | <b>Spur:</b>   | 81    |
| <b>Battery:</b>          |       |                |       |
| <b>Battery Position:</b> |       |                |       |

## Differential:

|                        |  |
|------------------------|--|
| <b>Front Fluid:</b>    | 10K                                    |
| <b>Gears:</b>          | Plastic Metal <input type="checkbox"/> |
| <b>Center Fluid:</b>   | 500k                                   |
| <b>Gears:</b>          | Plastic Metal                          |
| <b>Rear Fluid:</b>     | 7k                                     |
| <b>Gears:</b>          | Plastic Metal <input type="checkbox"/> |
| <b>Slipper Clutch:</b> |  |
| <b>Type:</b>           |  |
| <b># of Pads:</b>      |  |

## Shocks:

|                       | Front  | Rear  |
|-----------------------|--------|-------|
| <b>Piston:</b>        | 2*1.6  | 2*1.7 |
| <b>Fluid:</b>         | 35     | 27.5  |
| <b>Spring:</b>        | Orange | Blue  |
| <b>Limiters:</b>      |        |       |
| <b>Stroke:</b>        | 22     | 29.5  |
| <b>Eyelet Length:</b> | long   | short |
| <b>Cup Offset:</b>    | +5     | 0     |
| <b>Notes:</b>         |        |       |



## Track Info:

|                     |  |
|---------------------|--|
| <b>Size:</b>        | Small Medium <input checked="" type="checkbox"/> Large Extra Large   |
| <b>Surface:</b>     | Dirt Carpet <input checked="" type="checkbox"/> Astroturf Multi Surface  |
| <b>Traction:</b>    | Low Medium <input checked="" type="checkbox"/> High Very High  |
| <b>Moisture:</b>    | Dry <input checked="" type="checkbox"/> Damp Wet   |
| <b>Condition:</b>   | Indoor Outdoor <input checked="" type="checkbox"/> Dusty <input checked="" type="checkbox"/> Hard Packed<br>Bumpy Grooved Smooth Loamy |
| <b>Temperature:</b> | Ambient: _____ Track: _____  |
| <b>Notes:</b>       |  |

## Tires:

|                        |            |
|------------------------|------------|
| <b>Front Tires:</b>    | MINI PIN 2 |
| <b>Front Compound:</b> | Yellow     |
| <b>Front Insert:</b>   | Medium     |
| <b>Rear Tires:</b>     | MINI PIN 2 |
| <b>Rear Compound:</b>  | Yellow     |
| <b>Rear Insert:</b>    | Medium     |
| <b>Wheel (F/R):</b>    |            |
| <b>Notes:</b>          |            |

## Body, Wing, Weight:

|                              |  |
|------------------------------|--|
| <b>Body:</b>                 | JC LIGHT   |
| <b>Wing:</b>                 | JC AREO  |
| <b>Wing Angle:</b>           | 0° 3° 6° <input checked="" type="checkbox"/>           |
| <b>Chassis Weights:</b>      | None 15g <input checked="" type="checkbox"/> 30g Other |
| <b>Other Weights:</b>        |  |
| <b>Total Vehicle Weight:</b> |  |

## Vehicle Comments:

**Notes:** \_\_\_\_\_