

Beta
SANWA
FRANCA

A215E

agama

1/8 SCALE 4WD ELECTRIC BUGGY

U.J. ENTERPRISE CO., LTD.
E-mail:contact@agama-rc.com

2016.01.30. 1K

agama

www.agama-rc.com

A215E



PURE ELECTRIC

Instruction Manual

1/8 SCALE 4WD ELECTRIC BUGGY

Agama vehicles fit a wide range of skilled drivers. Pros and Beginners alike can experience Agama products with great results!
Agama products are designed with quality and precision in mind.

Made in Taiwan

INTRODUCTION		01
CAUTION		02
BAG A	Front Diff Installation	03
	Rear Diff Installation	04
	Center Diff Installation	05
BAG B	Shock Install (Front & Rear)	06-07
BAG C	Front Spindle & CV Installation	08
BAG D	Front End Installation	09-12
BAG E	Rear Hub & CV Installation	13
BAG F	Rear End Installation	14-17
BAG H	Receiver & Steer Servo Assembly	18
BAG J	Servo Saver Assembly	19-21
BAG K	Chassis Guard Installation	21
BAG Q	Battery System	22
CHASSIS INSTALLATION		23-28
FACTORY SETUP SHEET		29-30

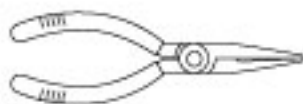
Notice: The following items are needed for completion of the PRO KIT, They are not included with this kit (unless noted), and should be obtained from your local hobby shop.

Be sure to read the instructions completely prior to assembly.

TOOLS NEEDED TO ASSEMBLE



Hex Wrenches



Needle Nose Pliers



Phillips Type Screw Driver



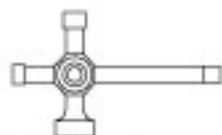
Box Wrench(5.5mm / 7mm / 10mm)



Scissors



Hobby Knife



Utility Wrench



Pliers



Glass or Vinyl Tape



Instant Glue



Rubber Glue

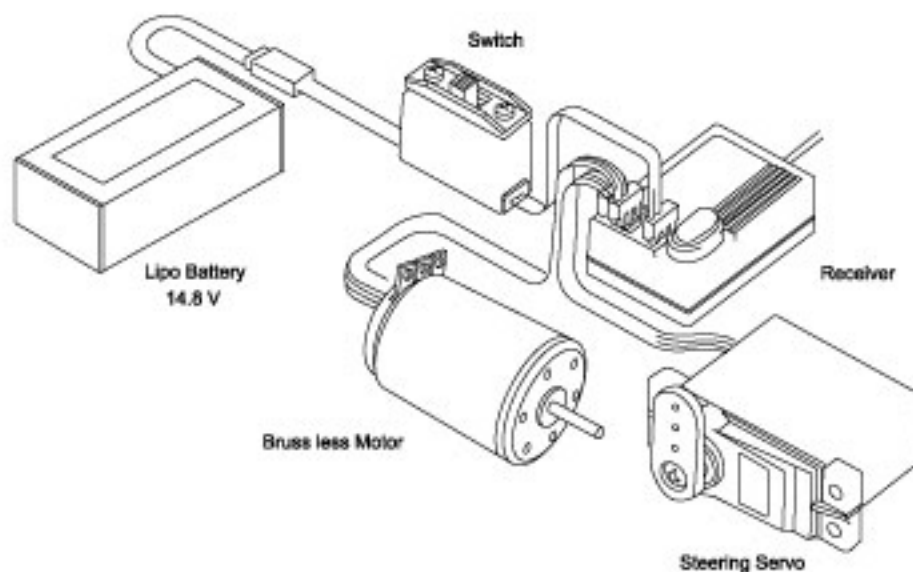


Screw (Sement)

ITEMS NEEDED TO CONTROL CAR

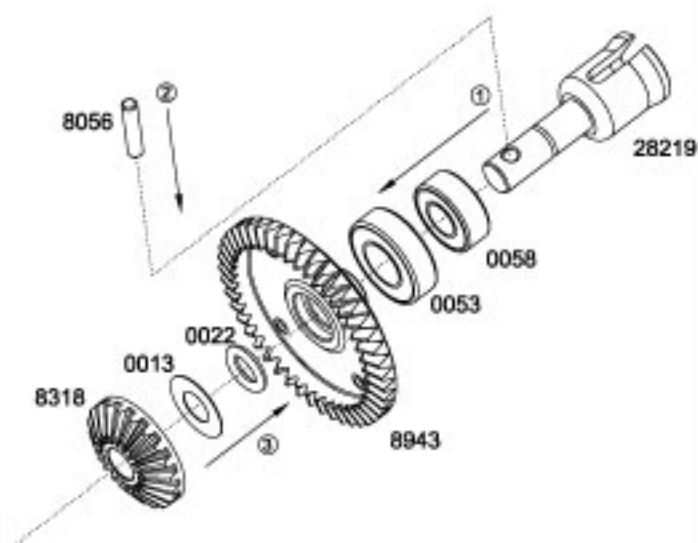


Transmitter



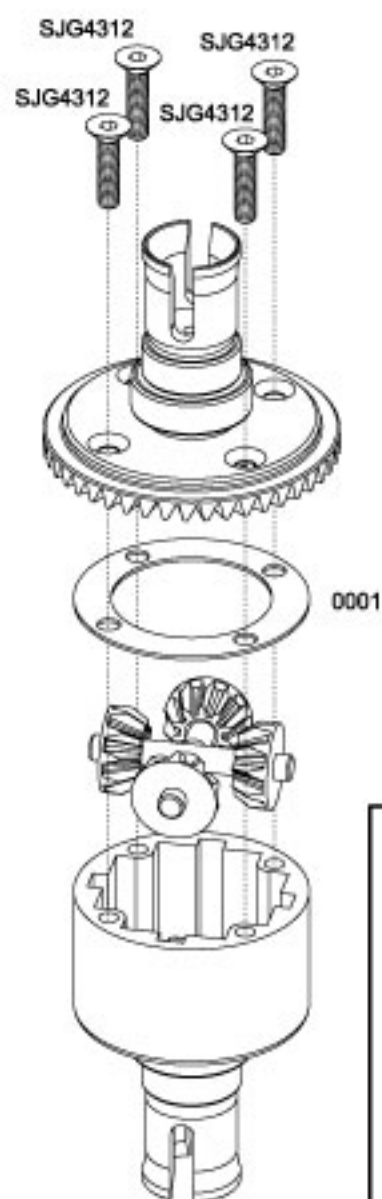
STEP A - 1

Front Diff Ring Gear Assembly

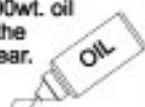


STEP A - 3

Complete Front Diff Assembly

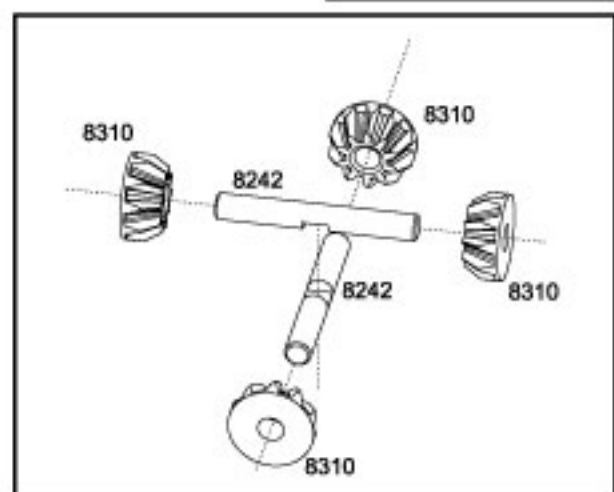
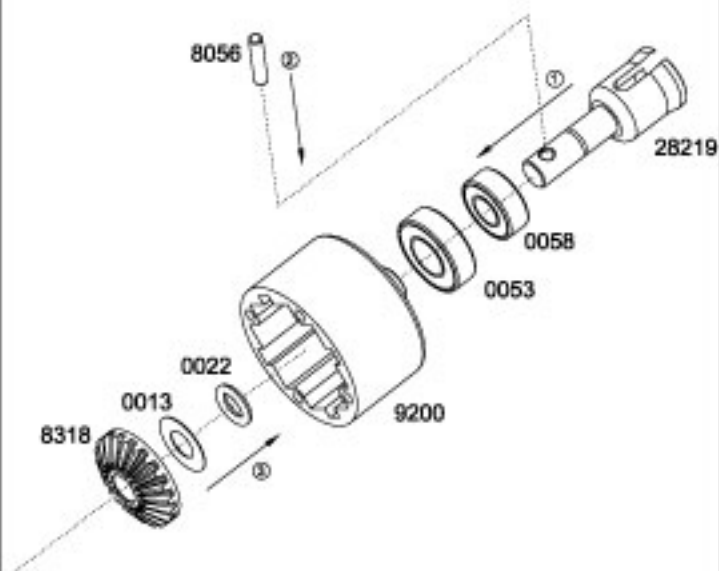


Fill with 5000wt. oil just above the planetary gear.



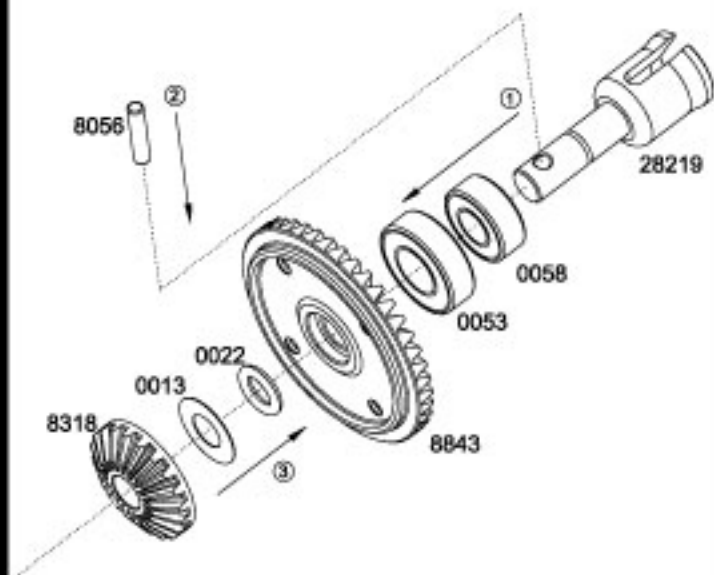
STEP A - 2

Front Diff Case Assembly



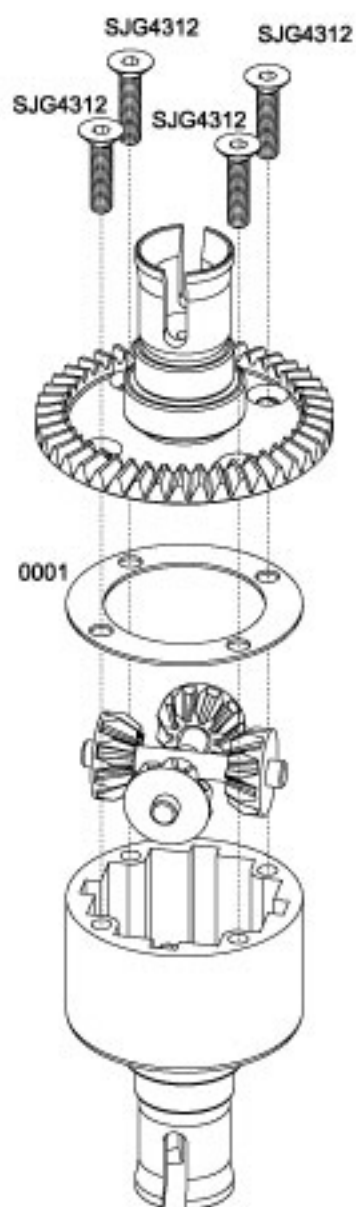
STEP A - 4

Rear Diff Ring Gear Assembly



STEP A - 6

Complete Rear Diff Assembly

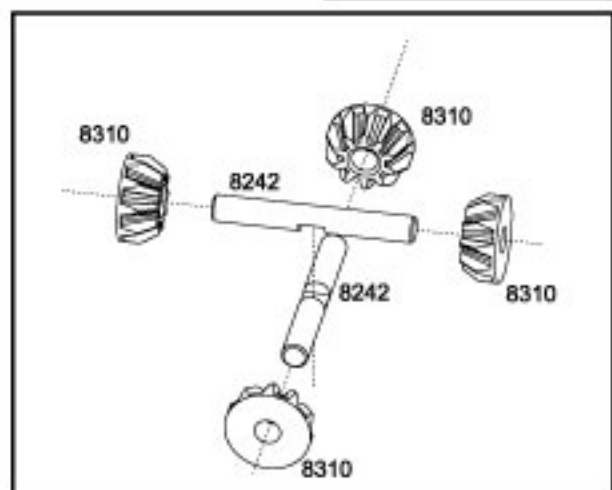
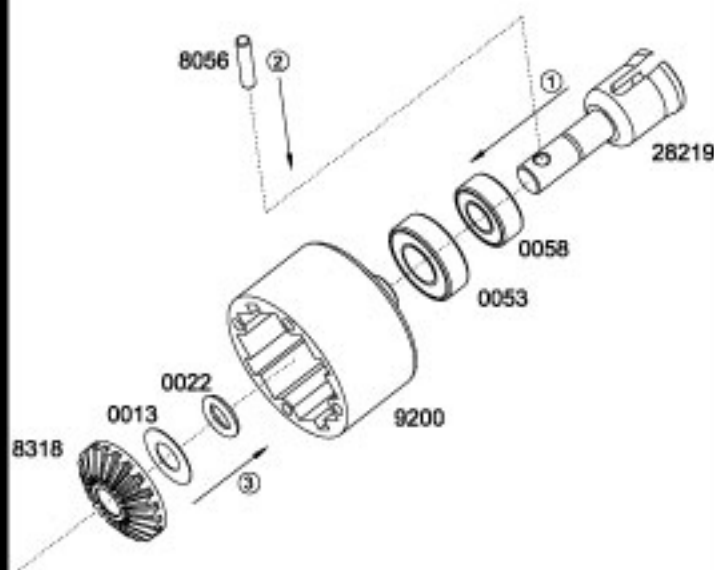


Fill with 5000wt. oil just above the planetary gear.



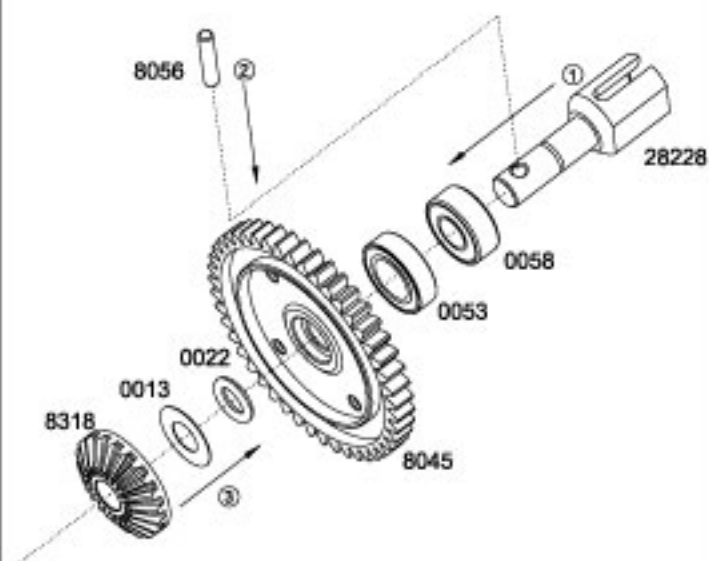
STEP A - 5

Rear Diff Case Assembly



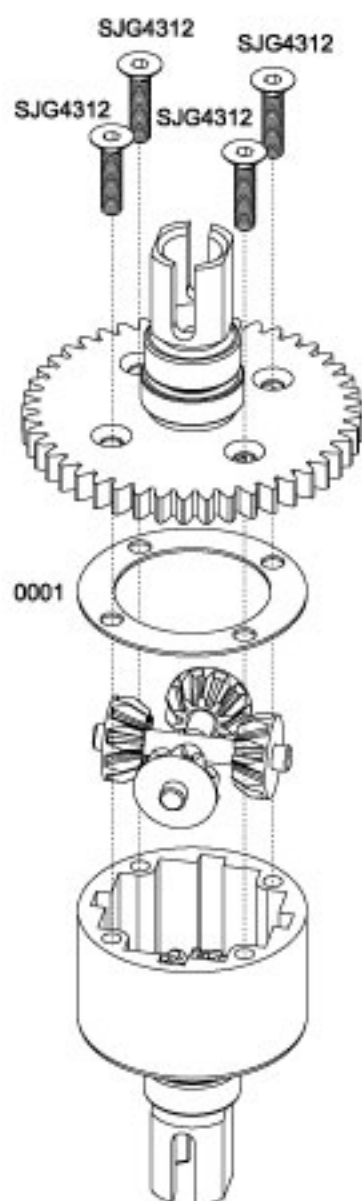
STEP A - 7

Center Diff Ring Gear Assembly

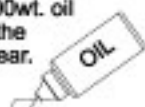


STEP A - 9

Complete Center Diff Assembly

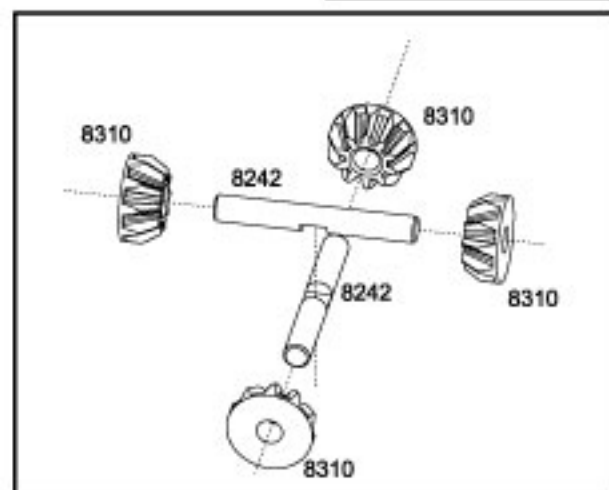
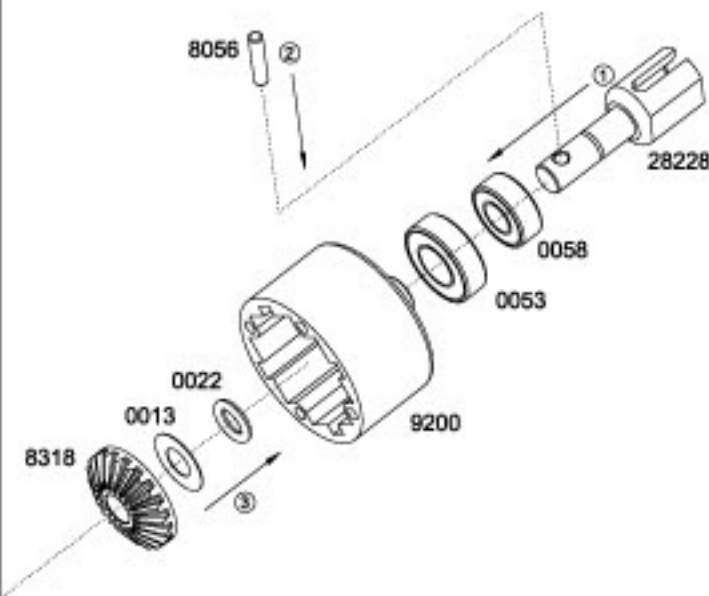


Fill with 5000wt. oil just above the planetary gear.



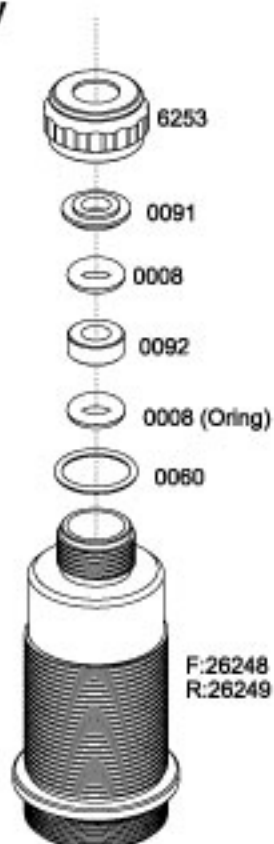
STEP A - 8

Center Diff Case Assembly



STEP B - 1

Shock Assembly (Front & Rear)



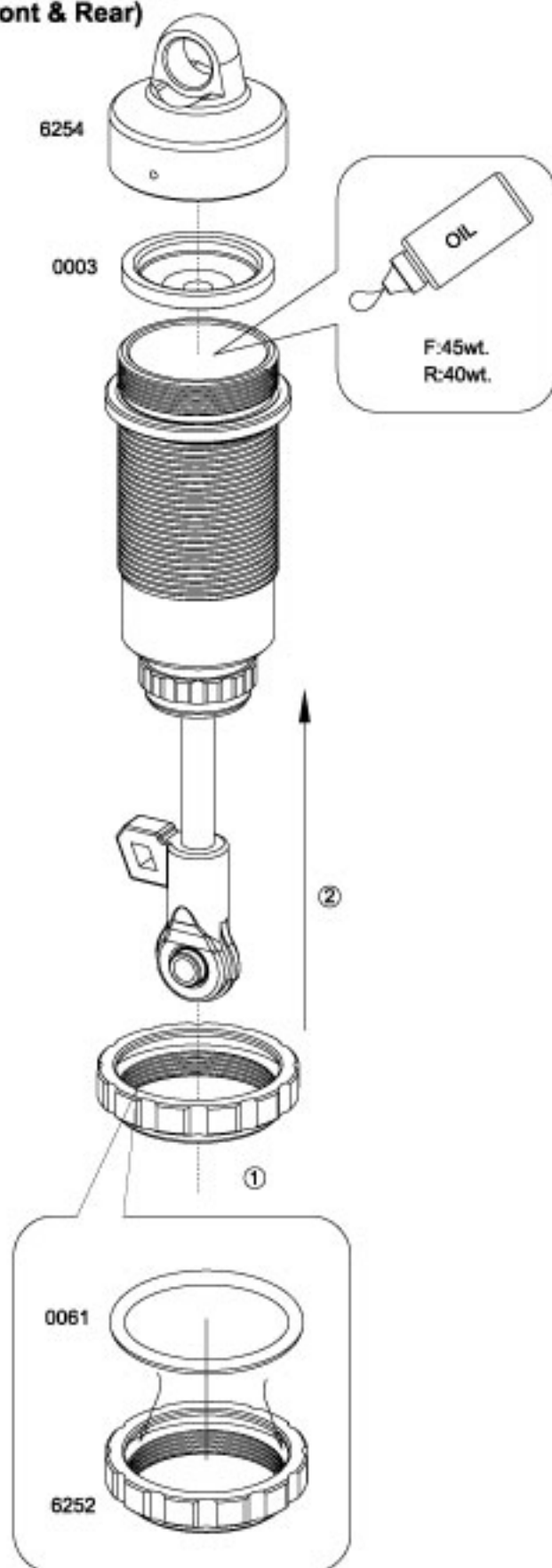
STEP B - 2

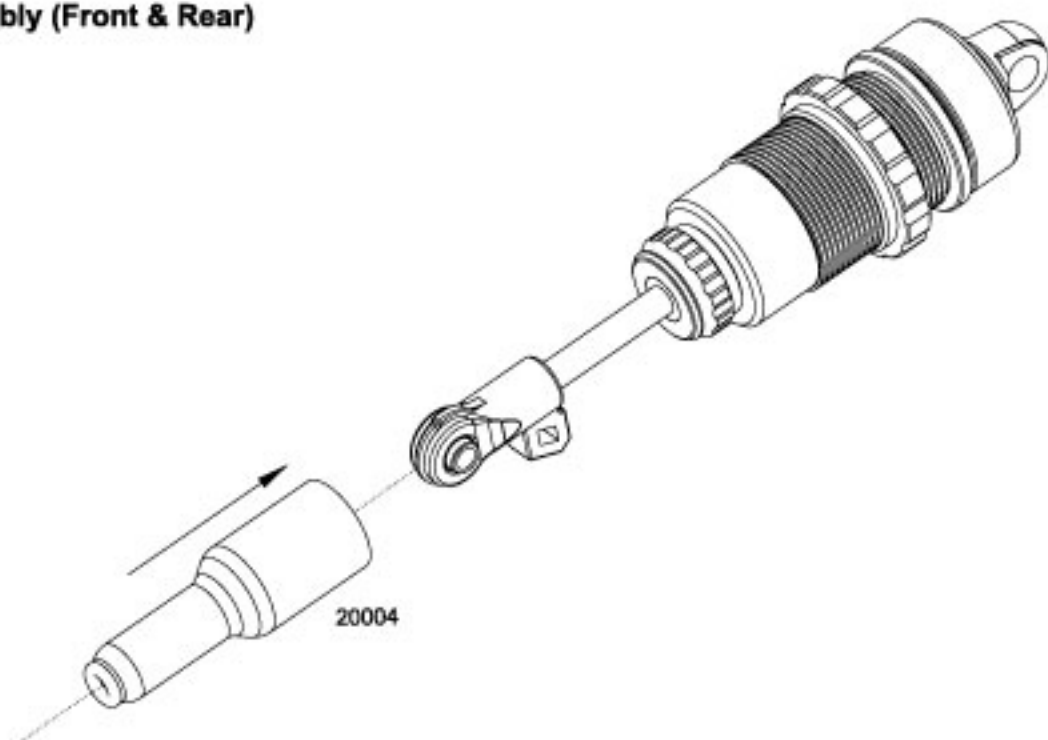
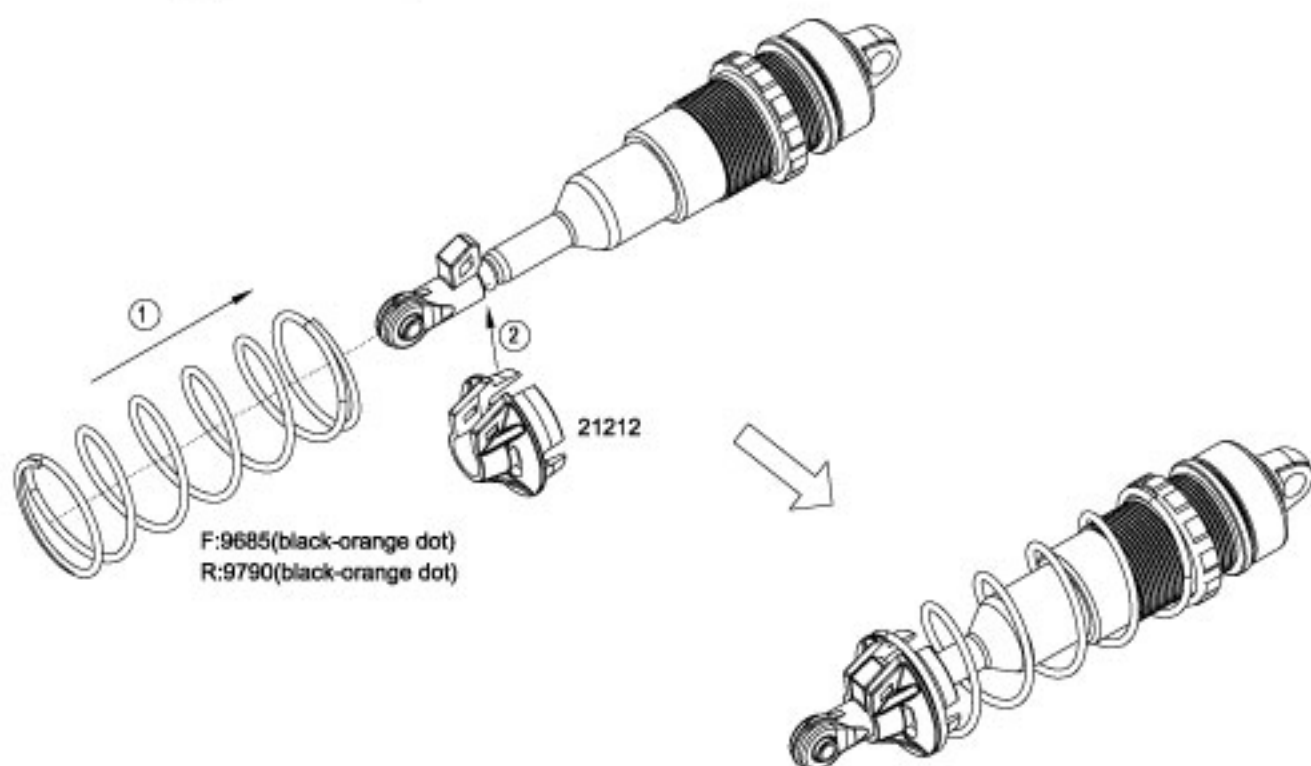
Shock Assembly (Front & Rear)



STEP B - 3

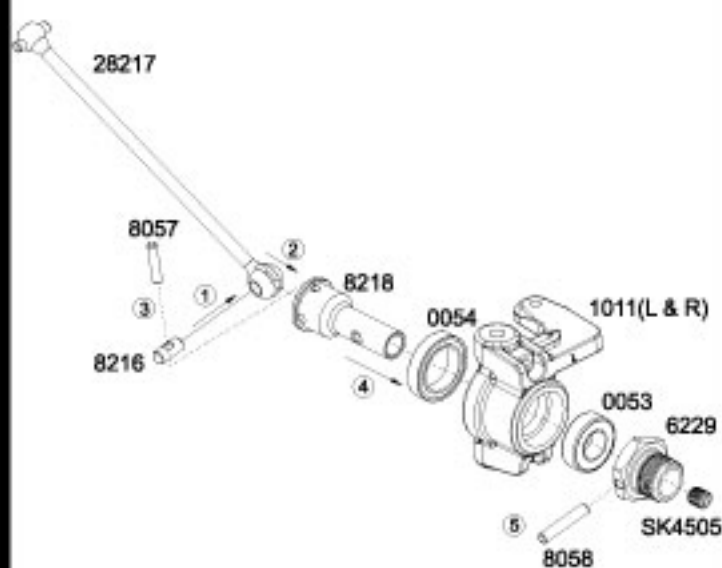
Shock Assembly (Front & Rear)



STEP B - 4**Shock Assembly (Front & Rear)****STEP B - 5****Shock Assembly (Front & Rear)**

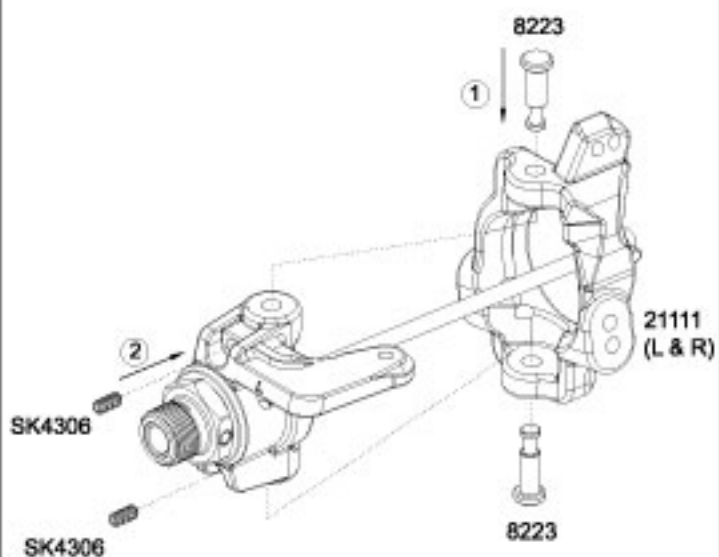
STEP C - 1

Front Spindle & CV Assembly (Left/Right)



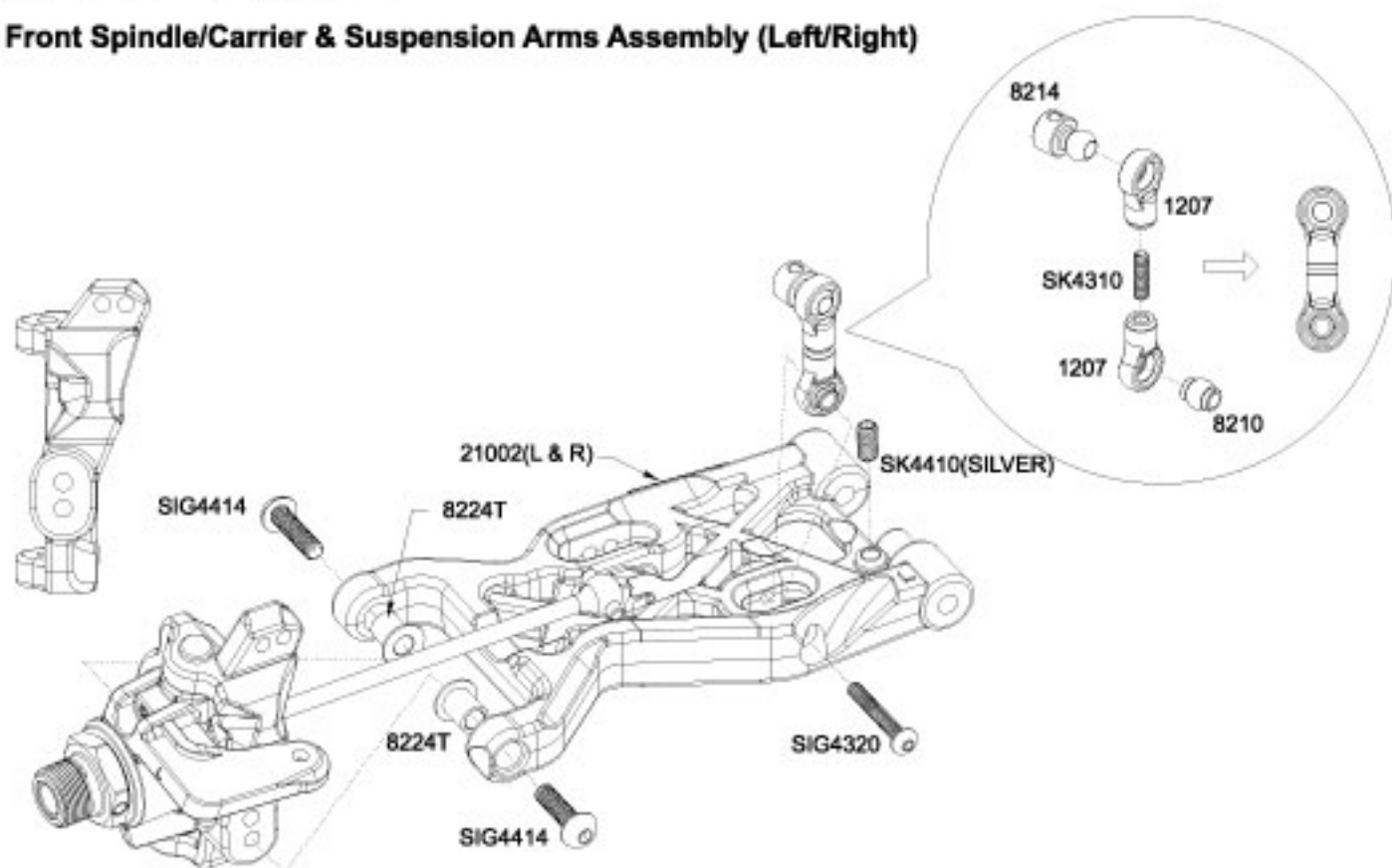
STEP C - 2

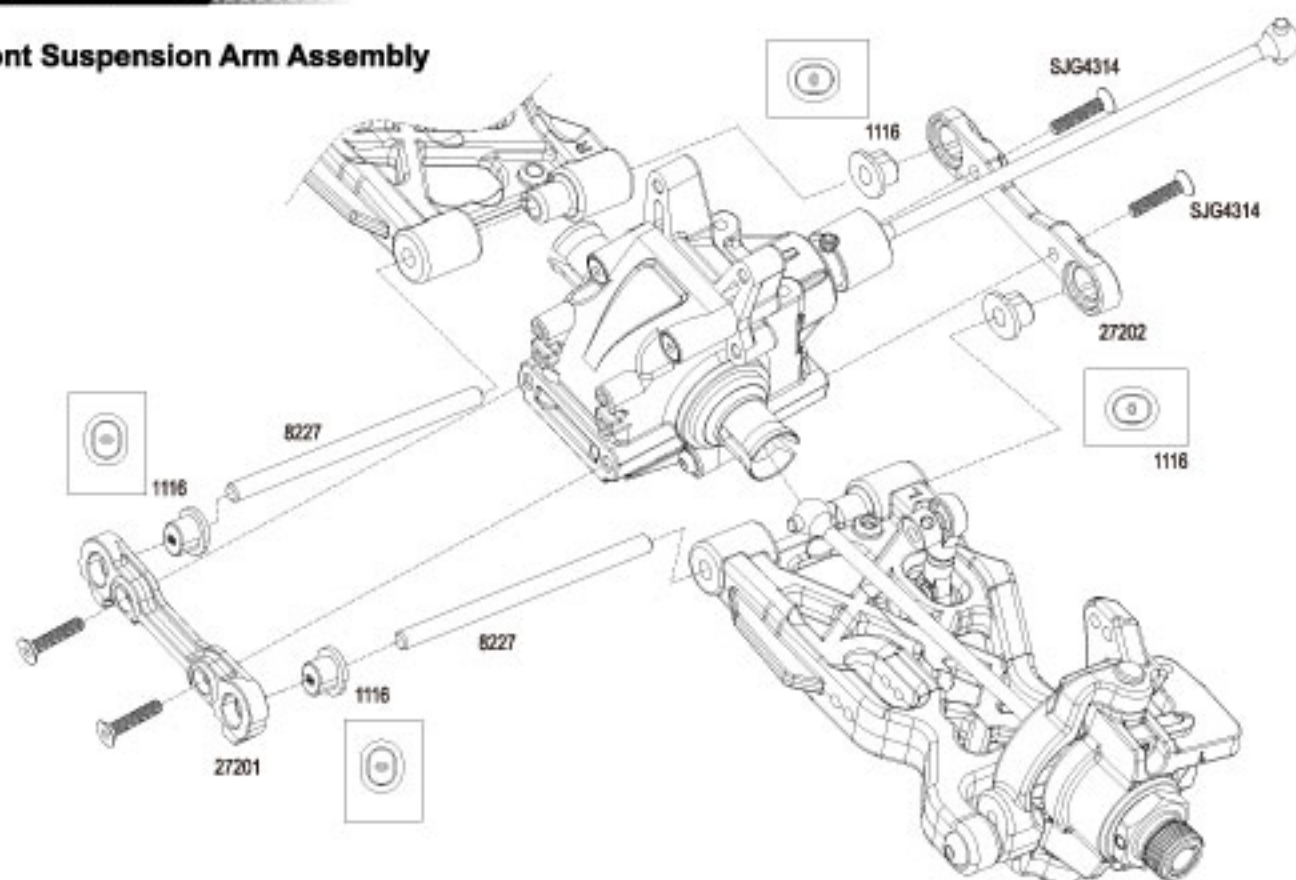
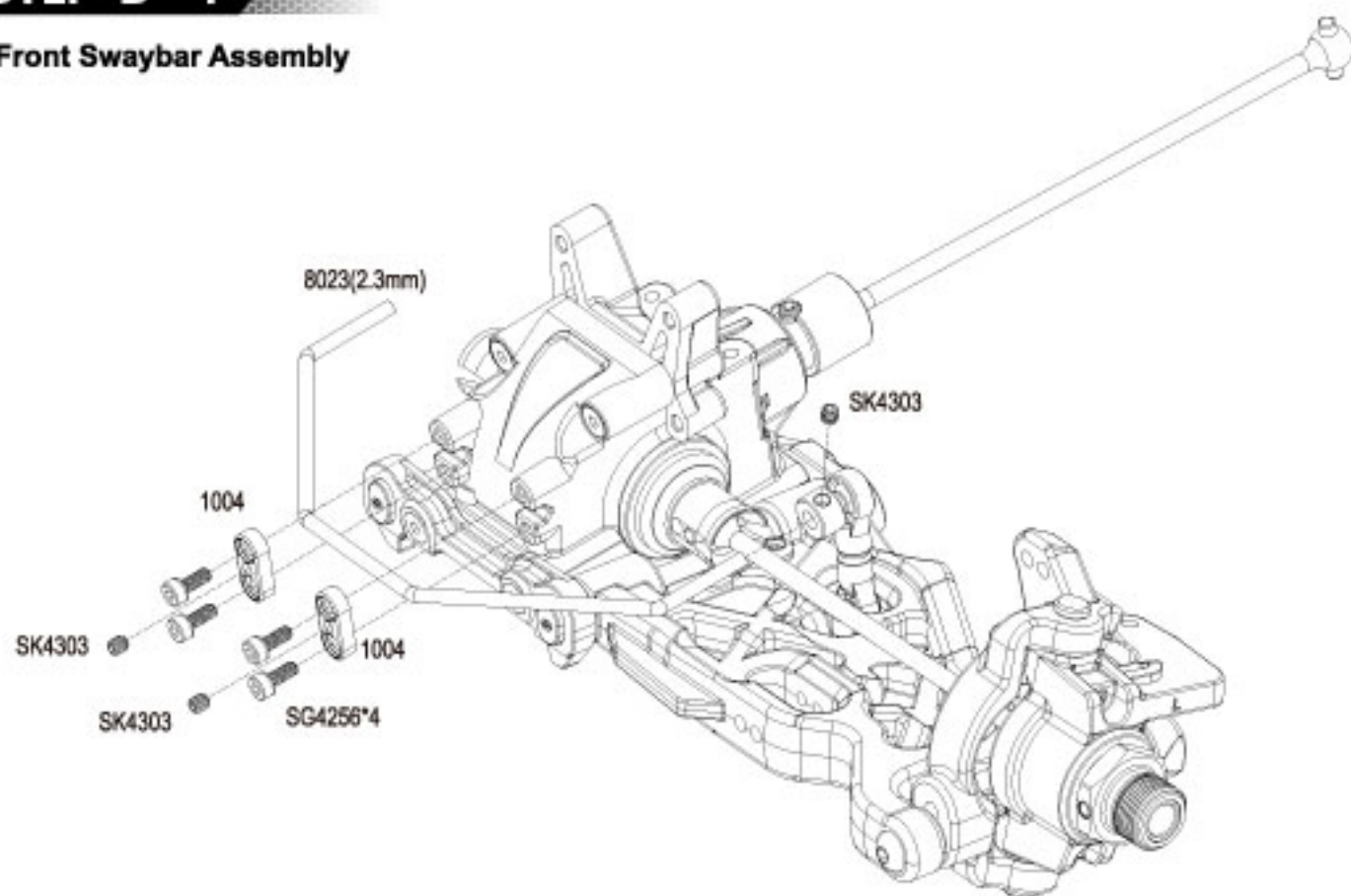
Front Spindle & Carrier Assembly (Left/Right)



STEP C - 3

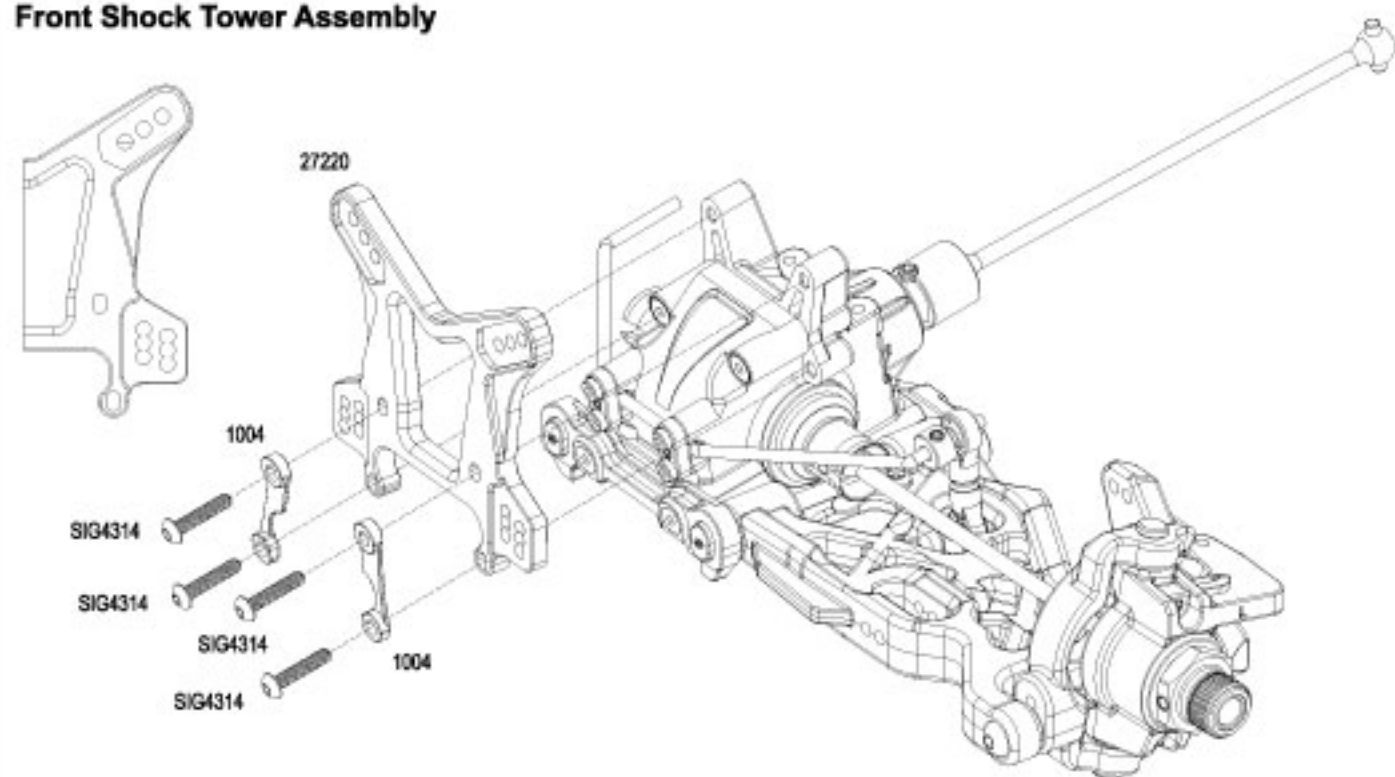
Front Spindle/Carrier & Suspension Arms Assembly (Left/Right)



STEP D - 3**Front Suspension Arm Assembly****STEP D - 4****Front Swaybar Assembly**

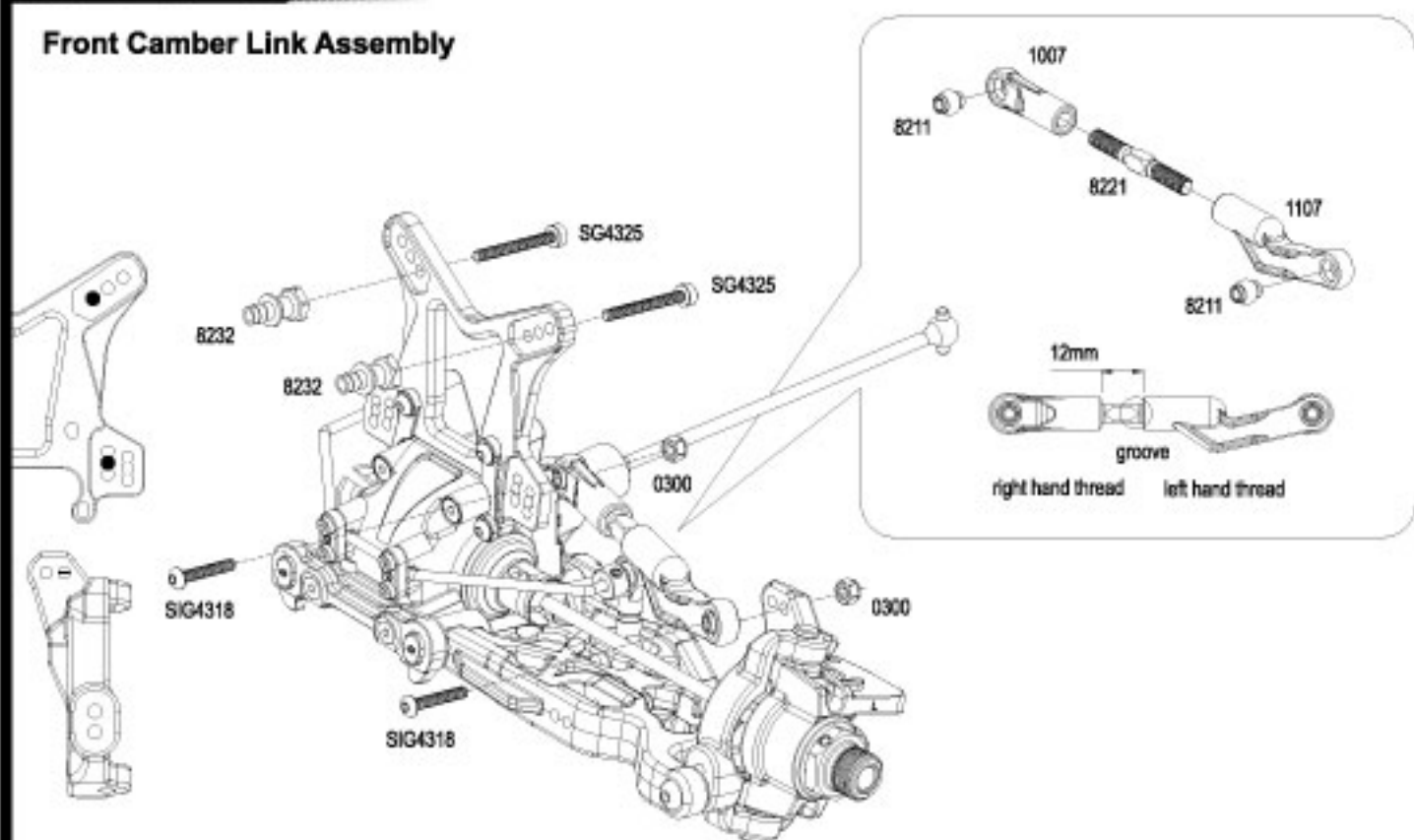
STEP D - 5

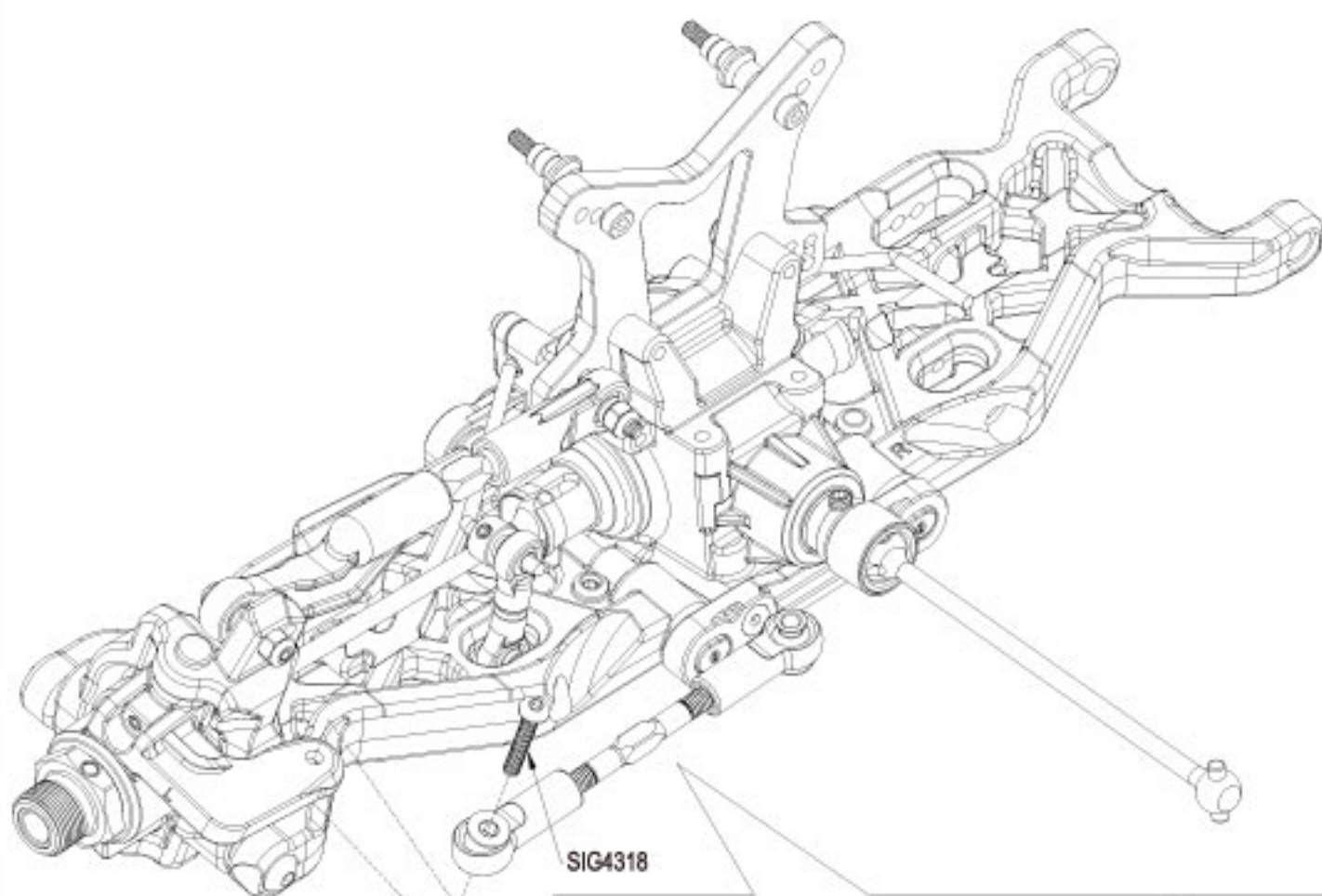
Front Shock Tower Assembly



STEP D - 6

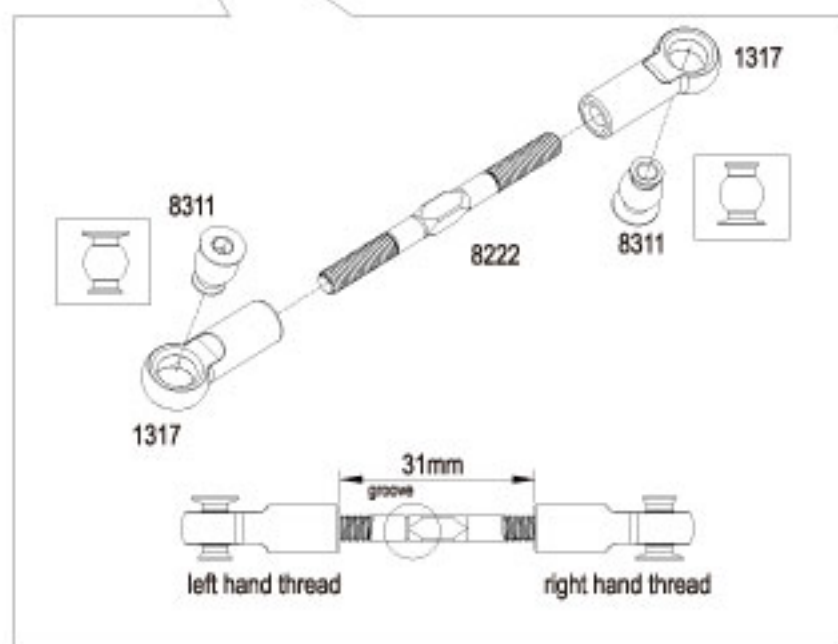
Front Camber Link Assembly



STEP D - 7**Front Steering Link Assembly**

0300

SIG4318



8311

1317

8222

8311

1317

31mm

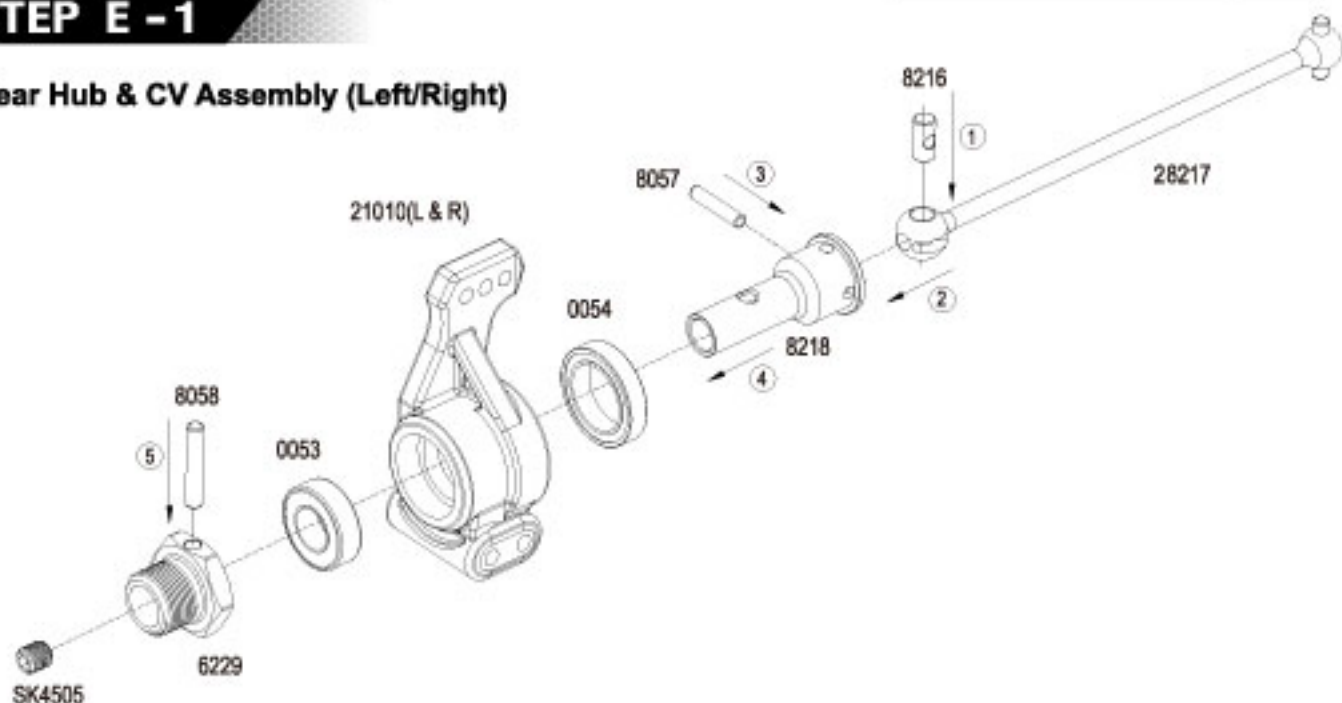
groove

left hand thread

right hand thread

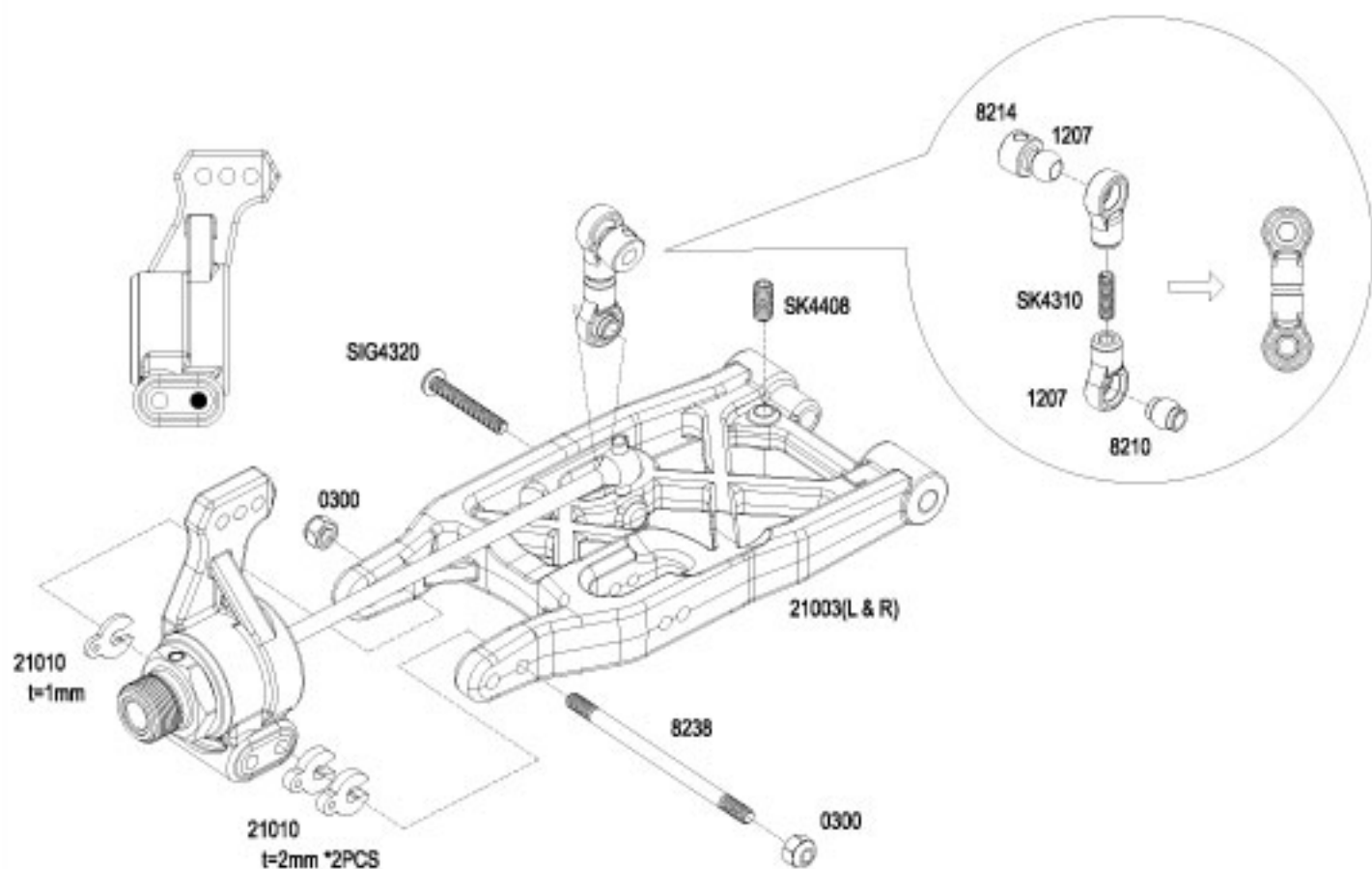
STEP E - 1

Rear Hub & CV Assembly (Left/Right)



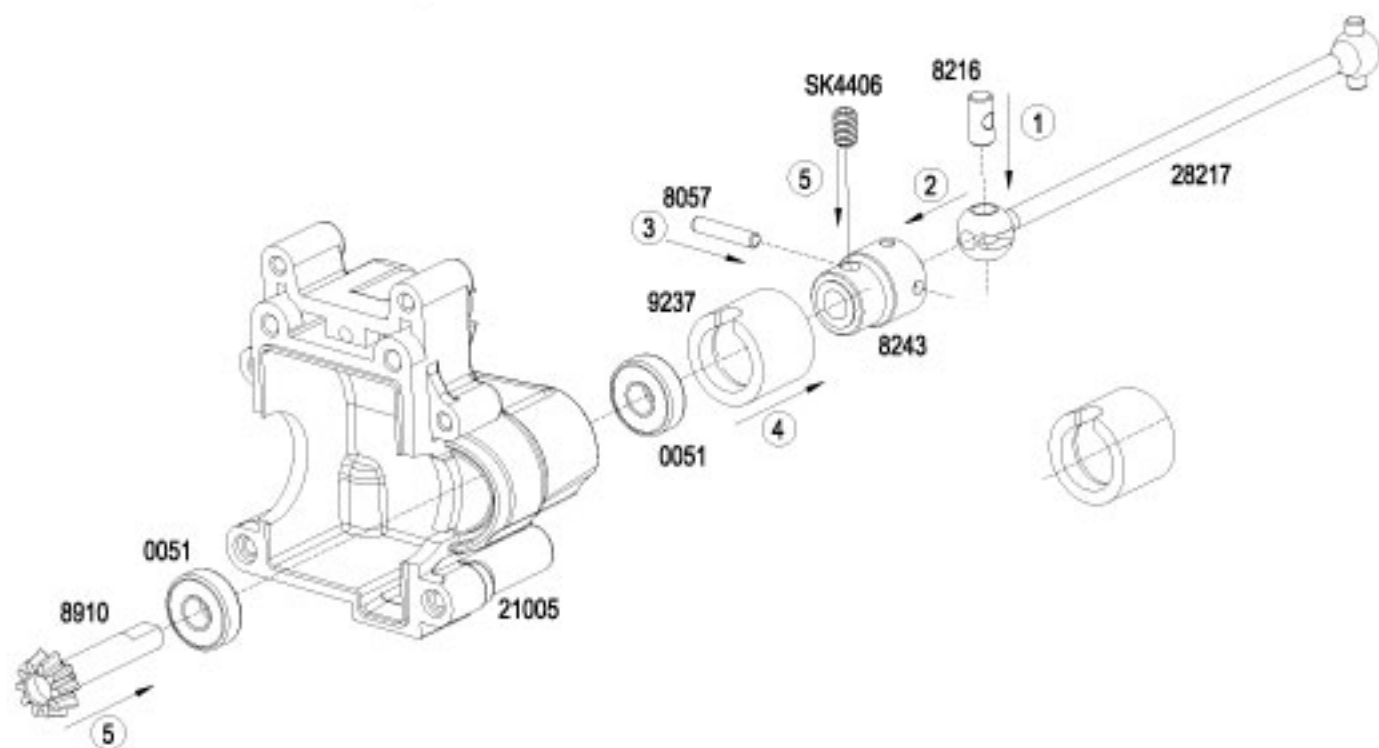
STEP E - 2

Rear Hub & CV Assembly (Left/Right)



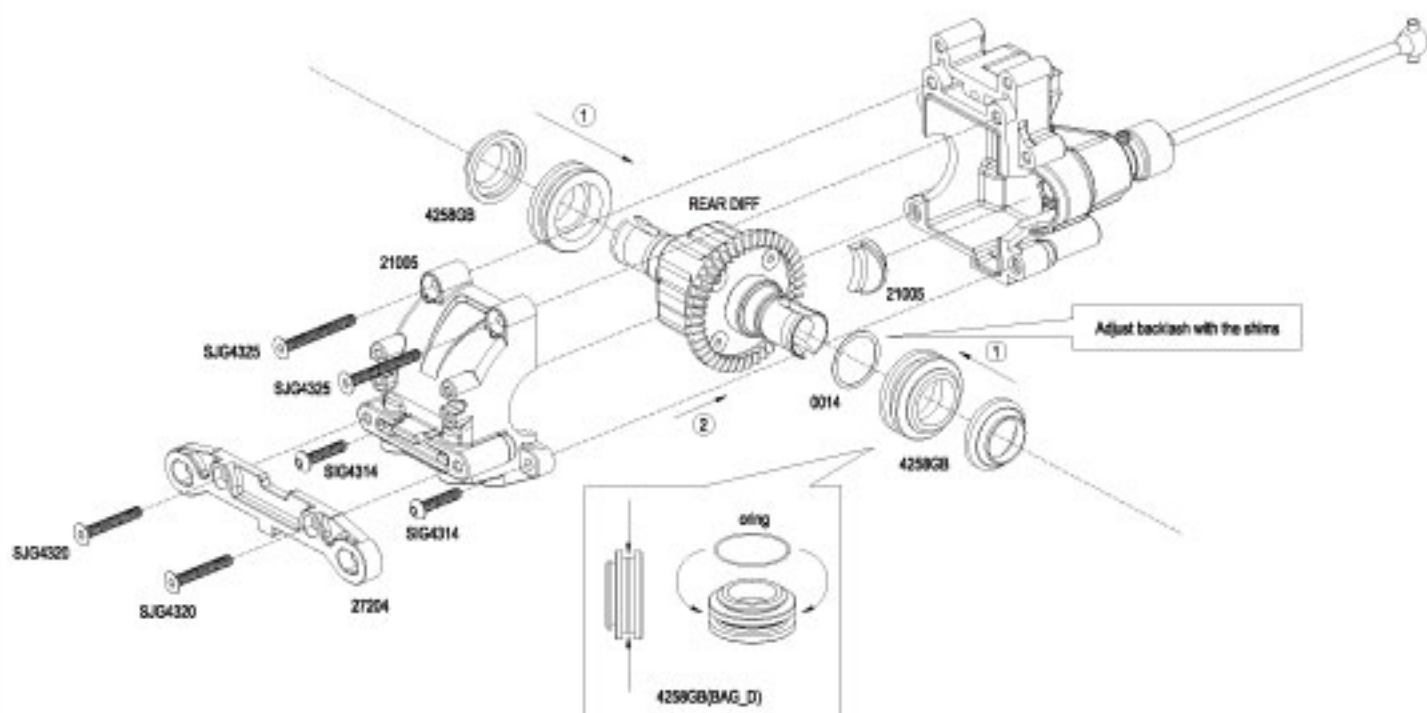
STEP F - 1

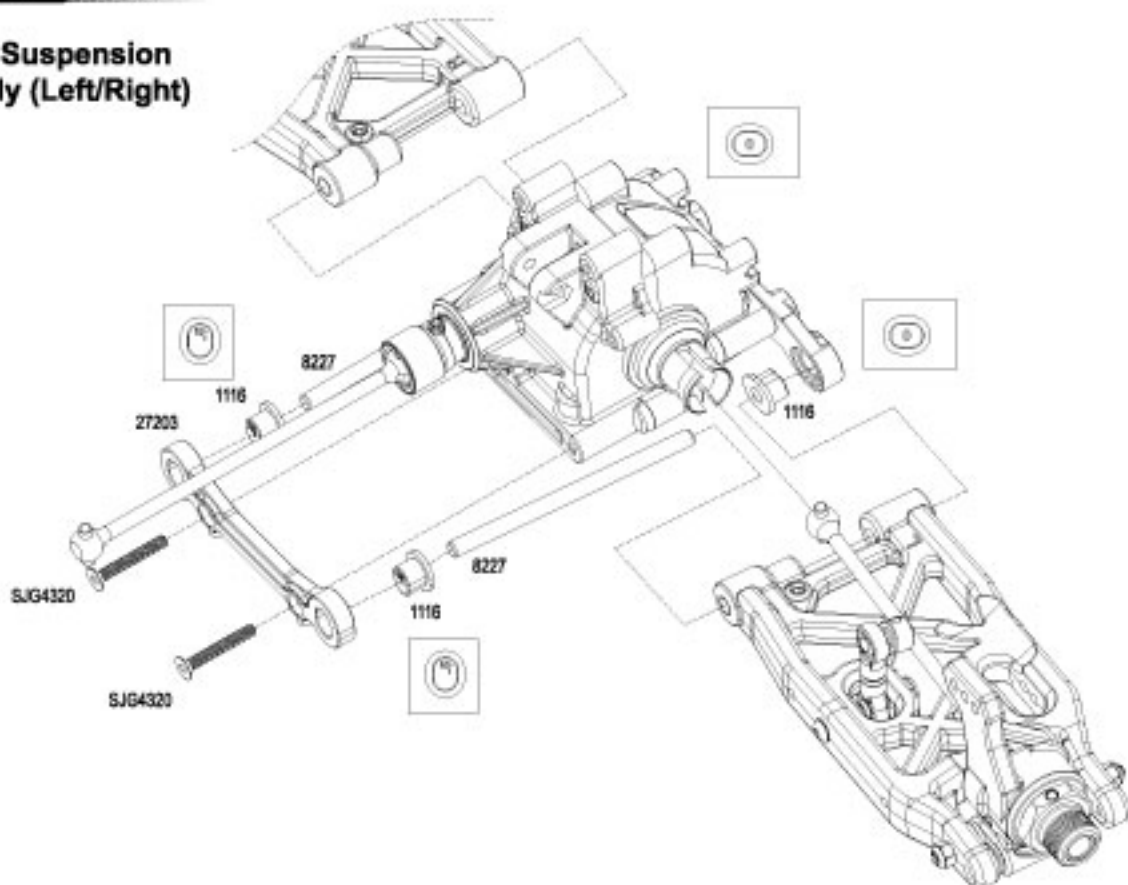
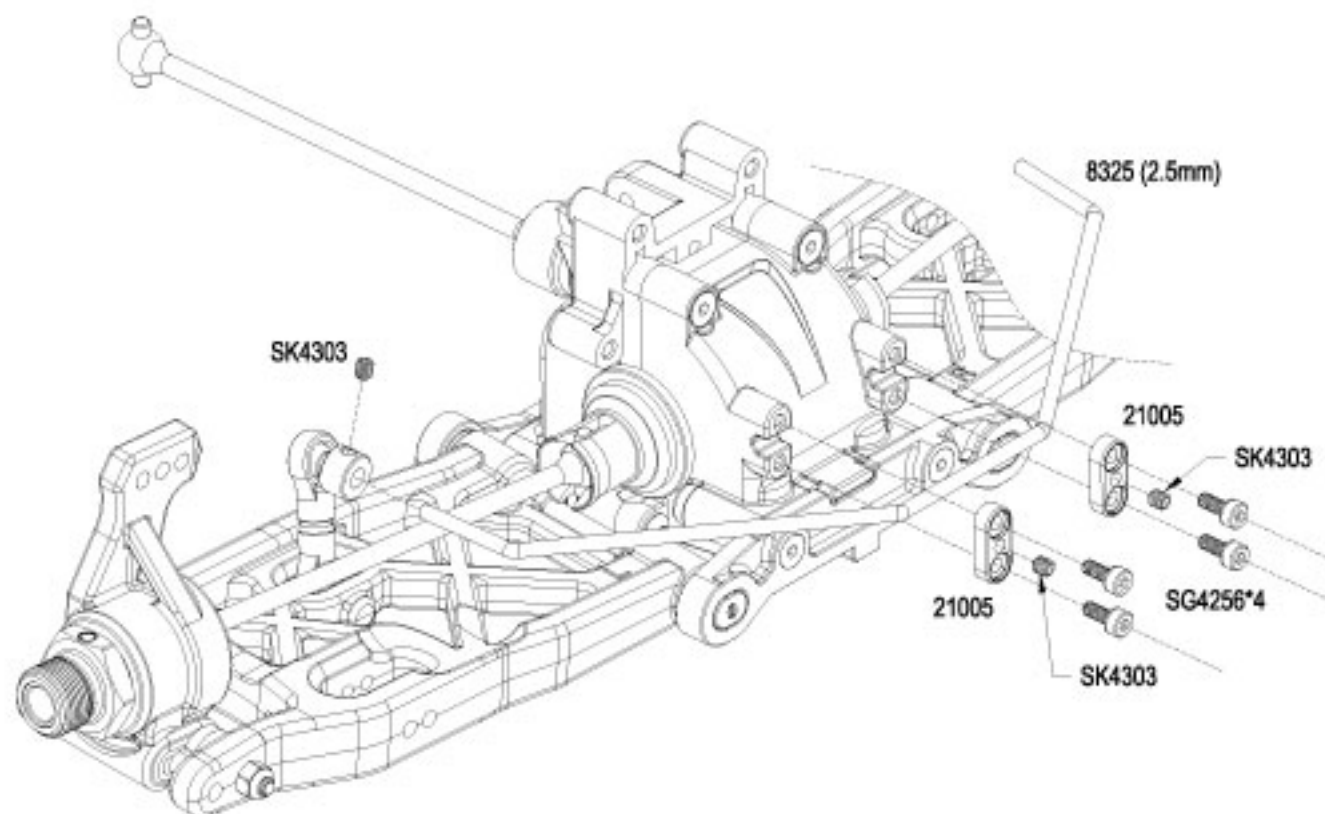
Rear Diff Case & CV Assembly



STEP F - 2

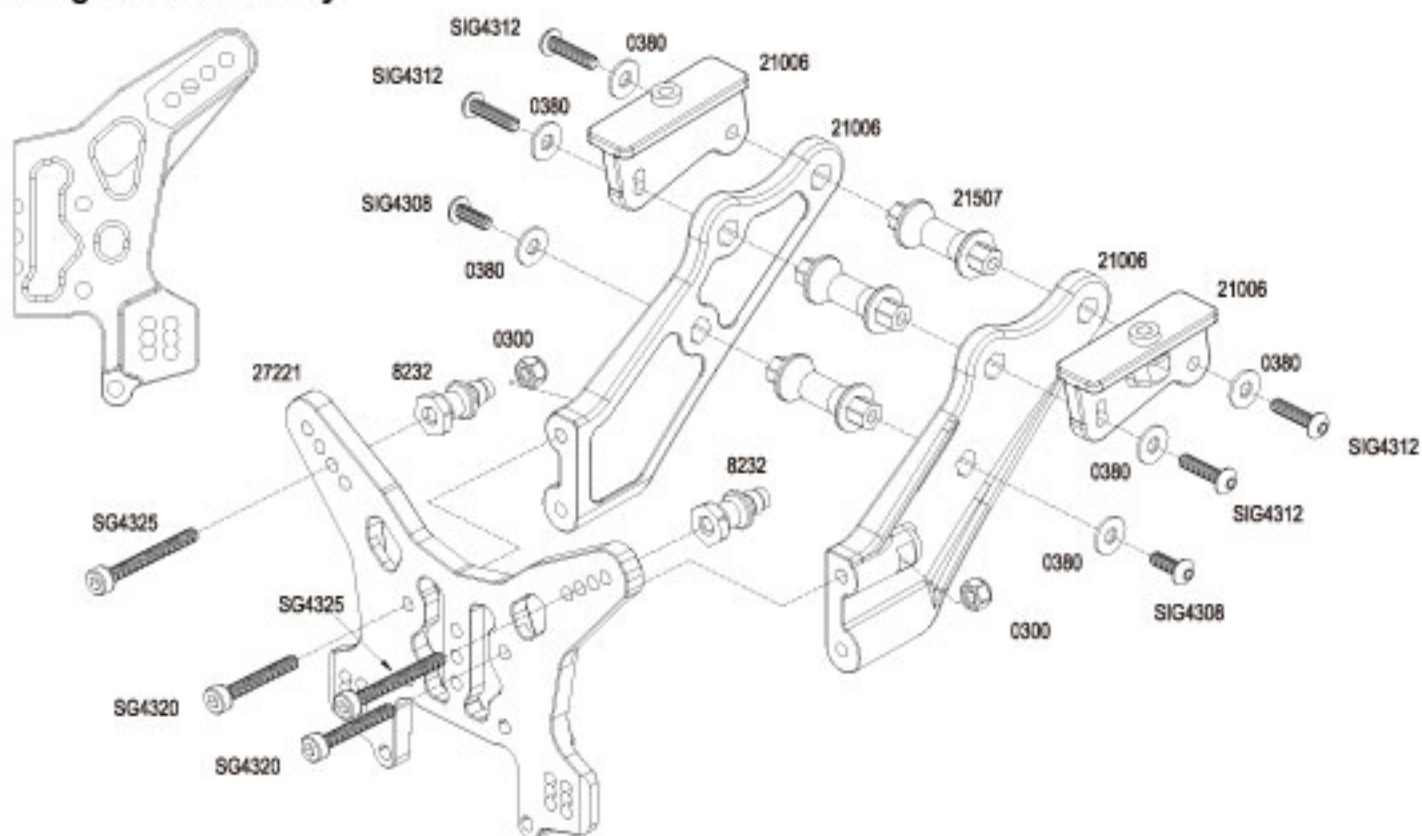
Rear Diff Install



STEP F - 3**Rear Hubs & Suspension Arm Assembly (Left/Right)****STEP F - 4****Rear Swaybar Assembly**

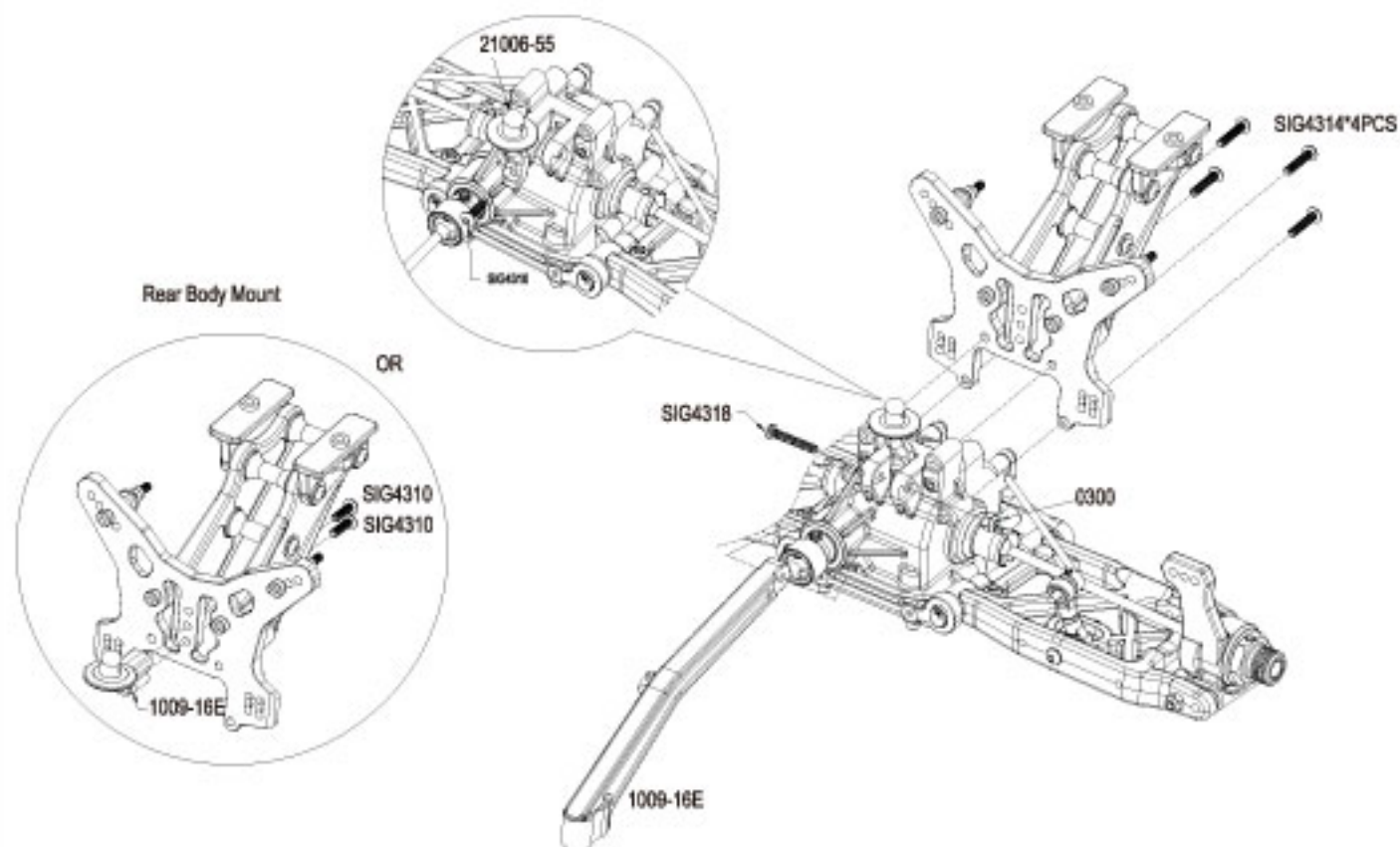
STEP F - 5

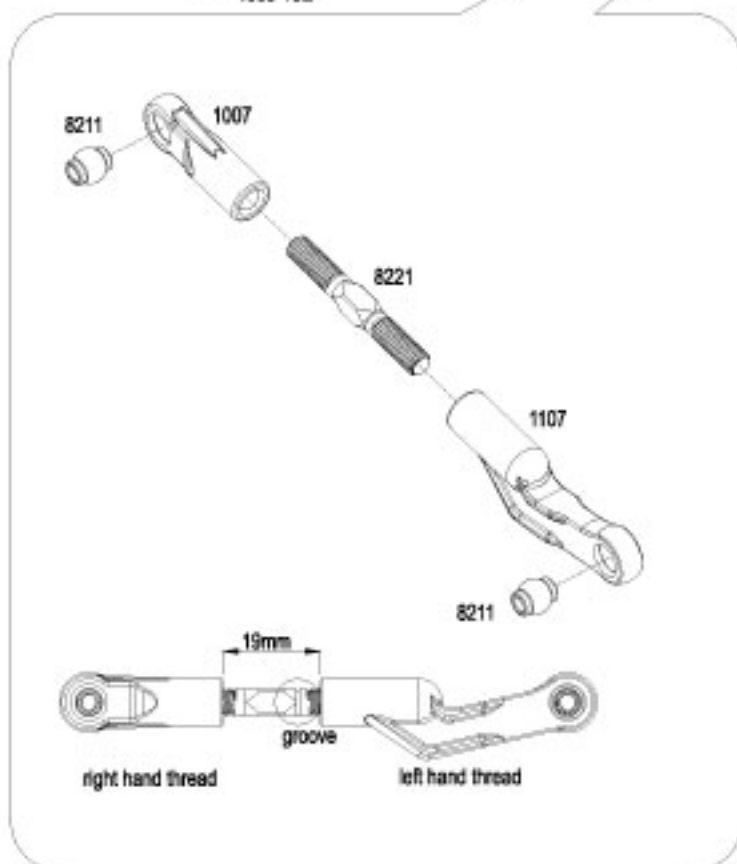
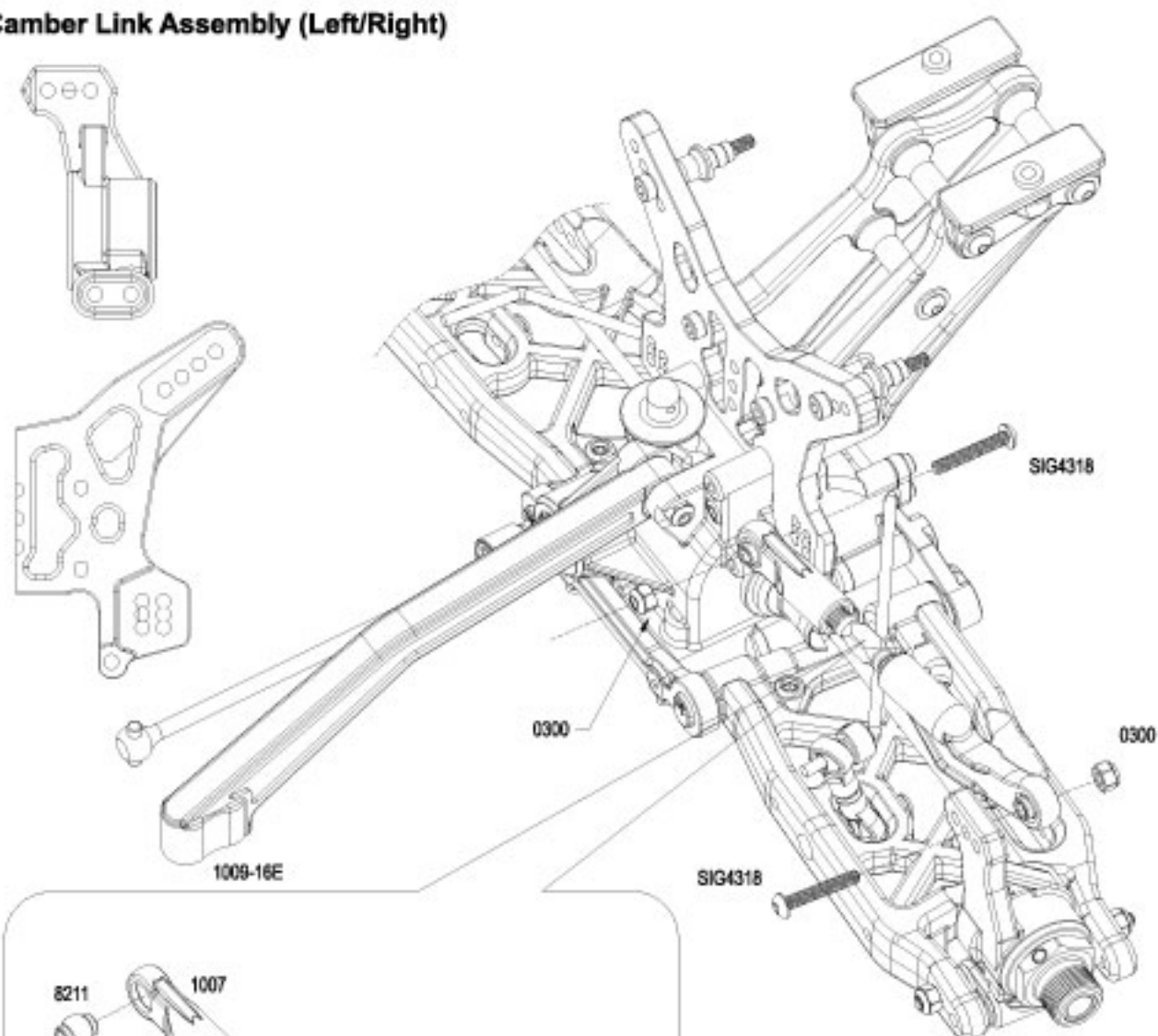
Wing Mount Assembly



STEP F - 6

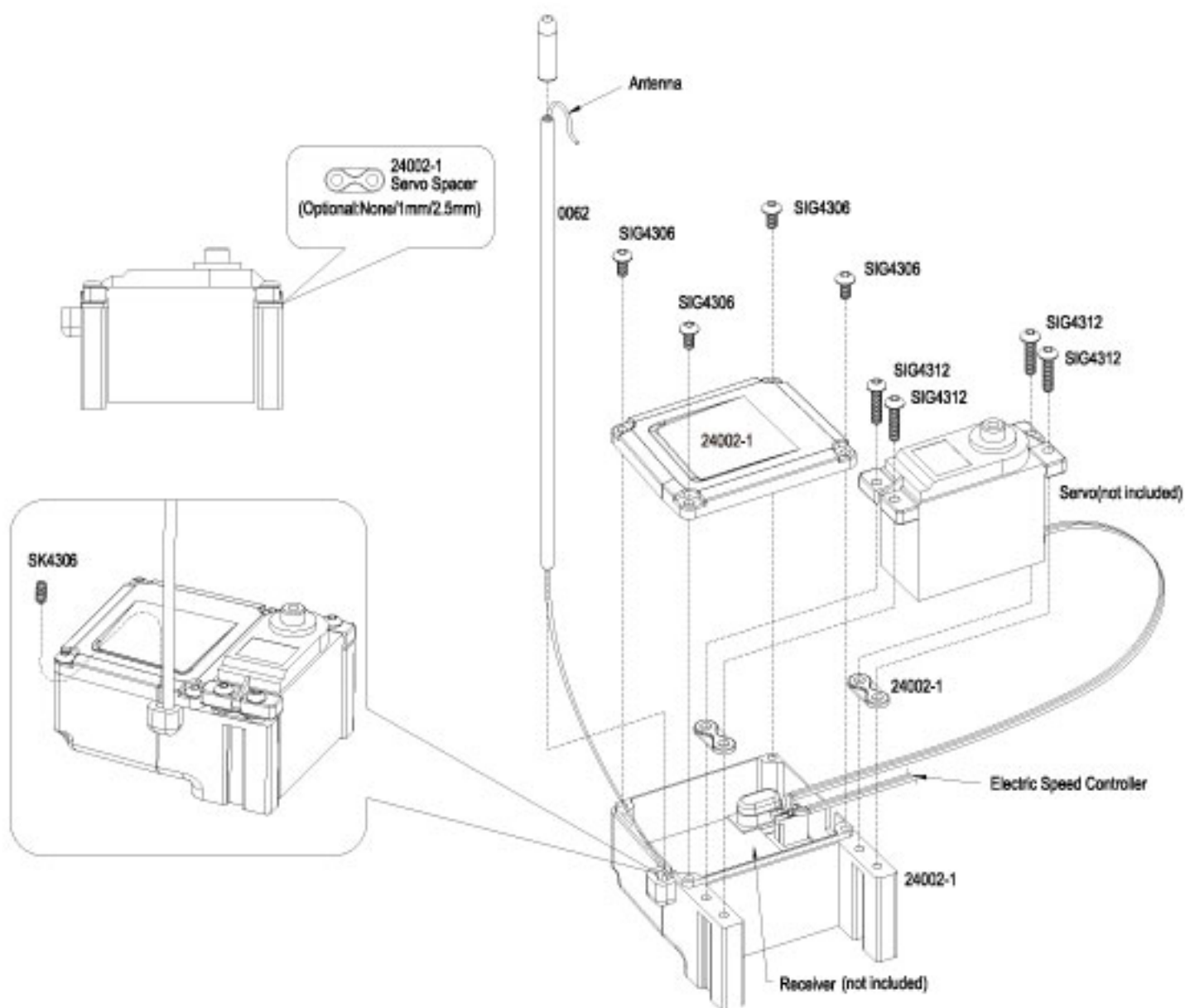
Rear Shock Tower Installation



STEP F - 7**Rear Camber Link Assembly (Left/Right)**

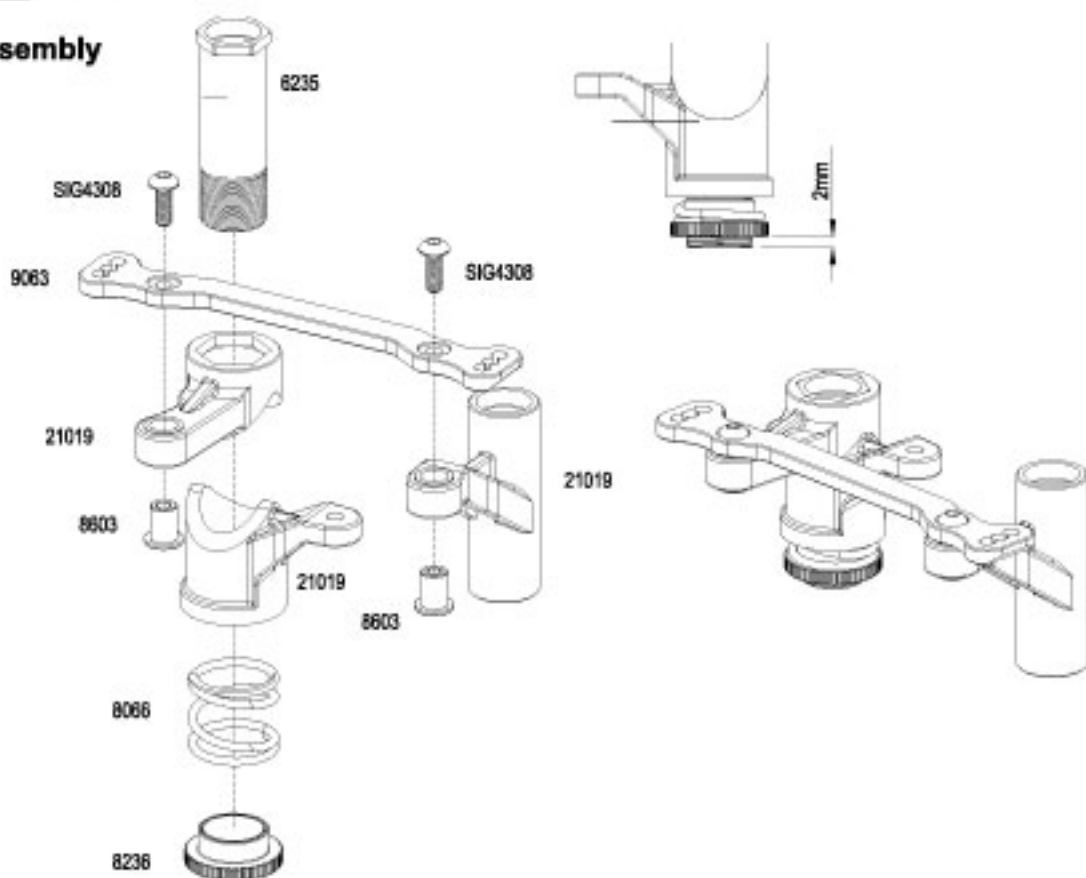
STEP H-1

Receiver & Steer Servo Assembly



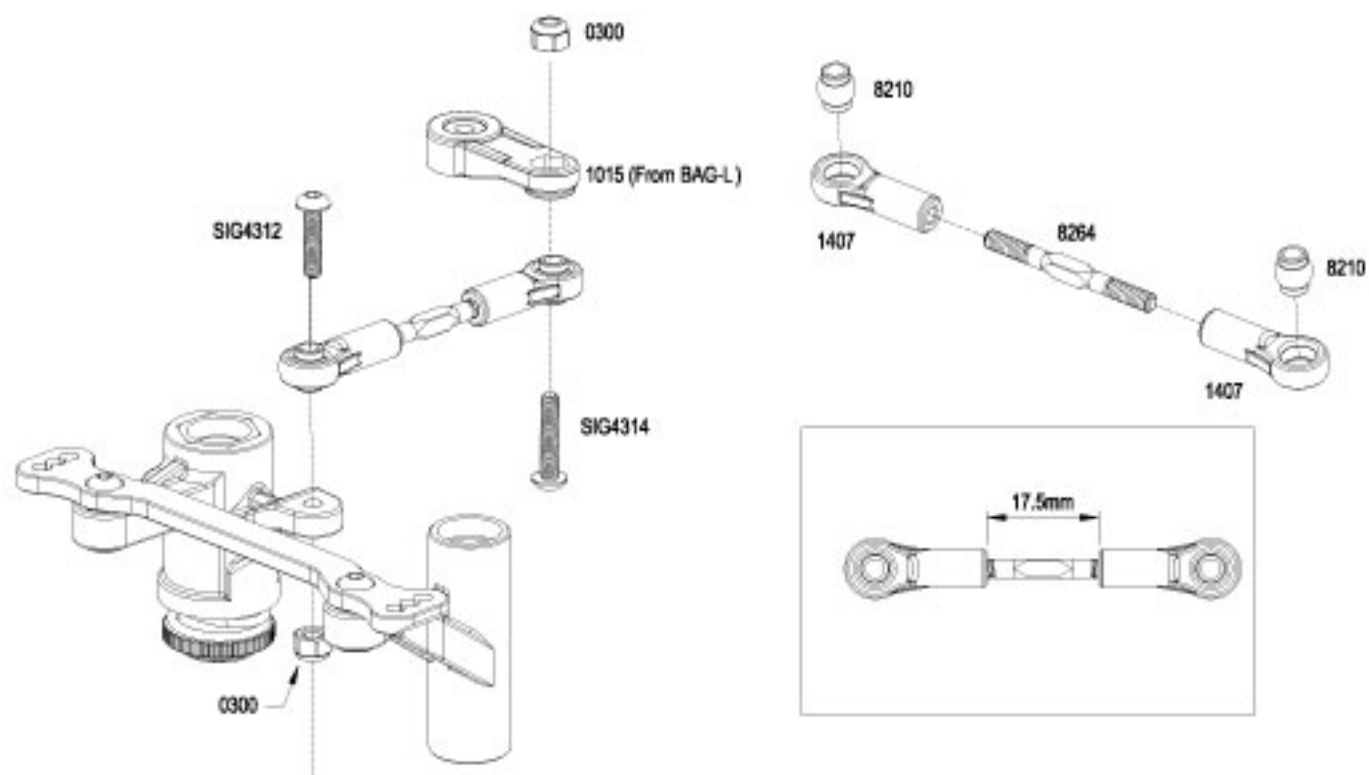
STEP J - 1

Servo Saver Assembly



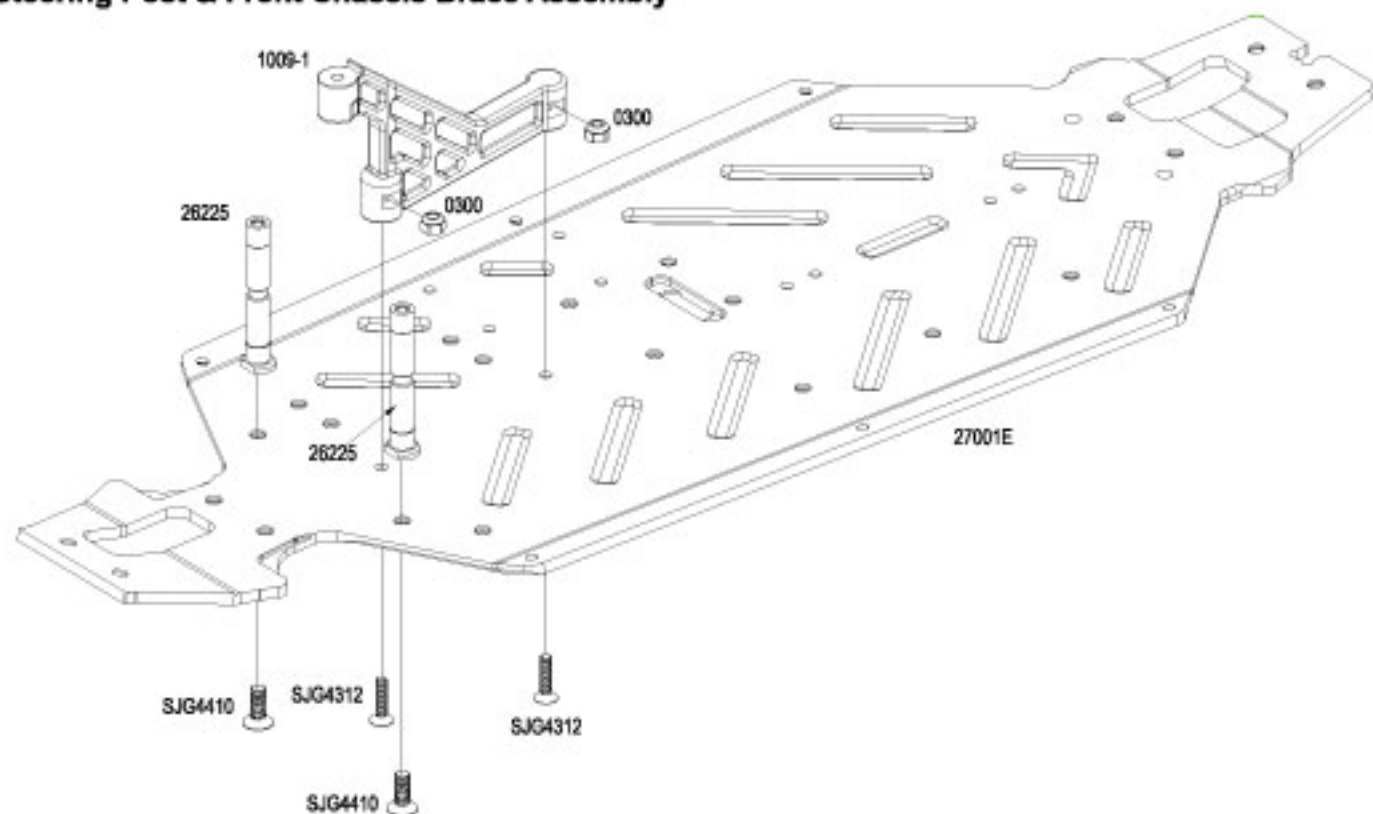
STEP J - 2

Steering Servo Link Assembly



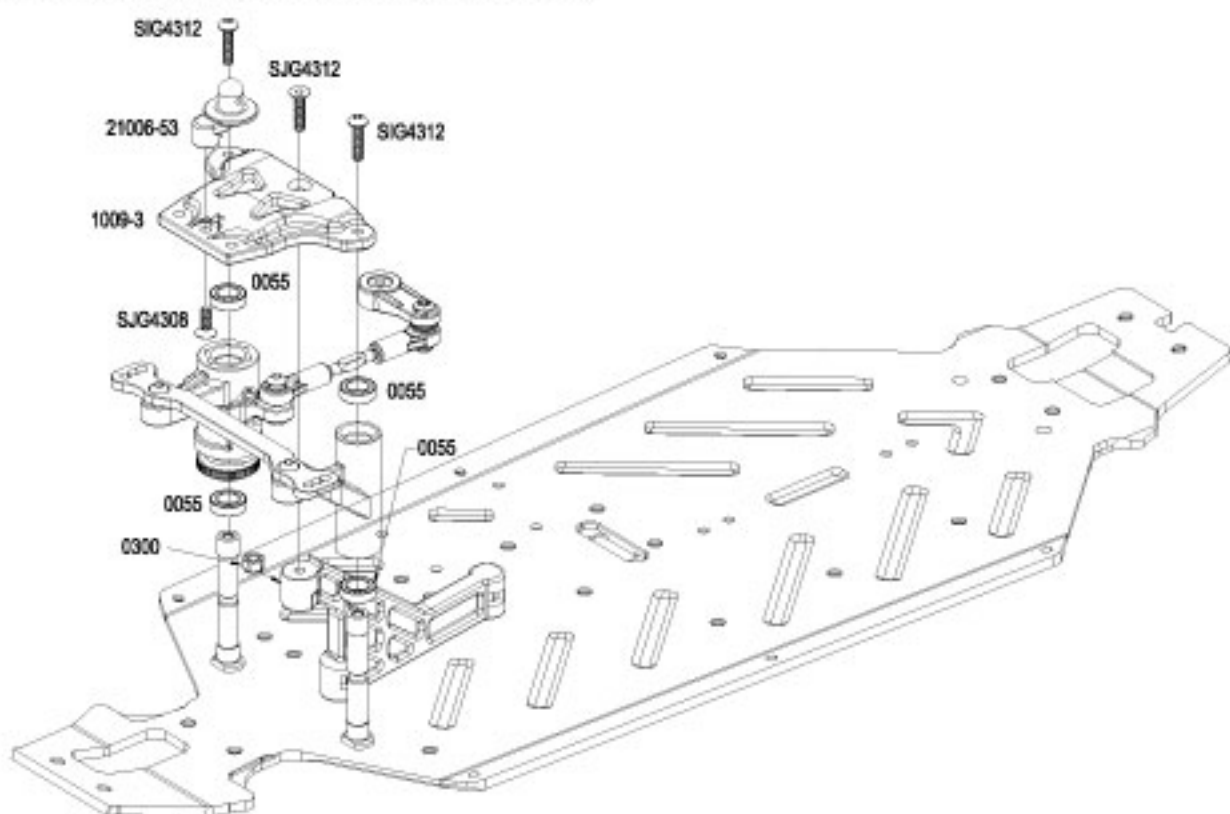
STEP J - 3

Steering Post & Front Chassis Brace Assembly



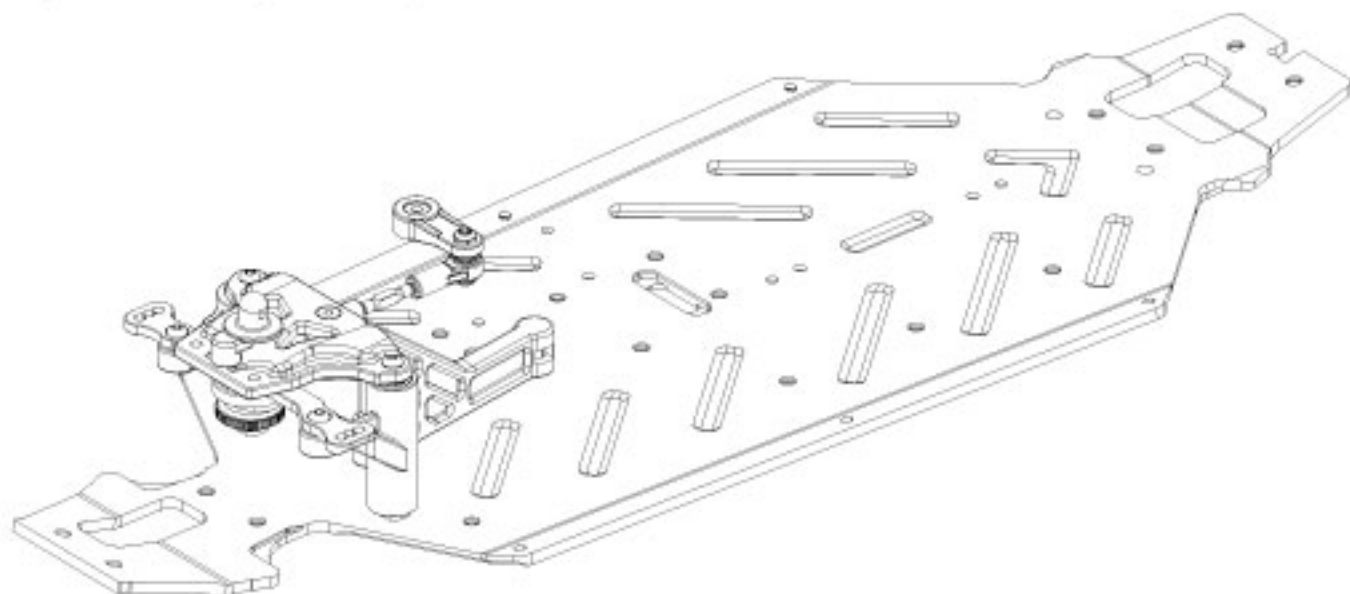
STEP J - 4

Steering Saver & Front Chassis Brace Assembly



STEP J-5

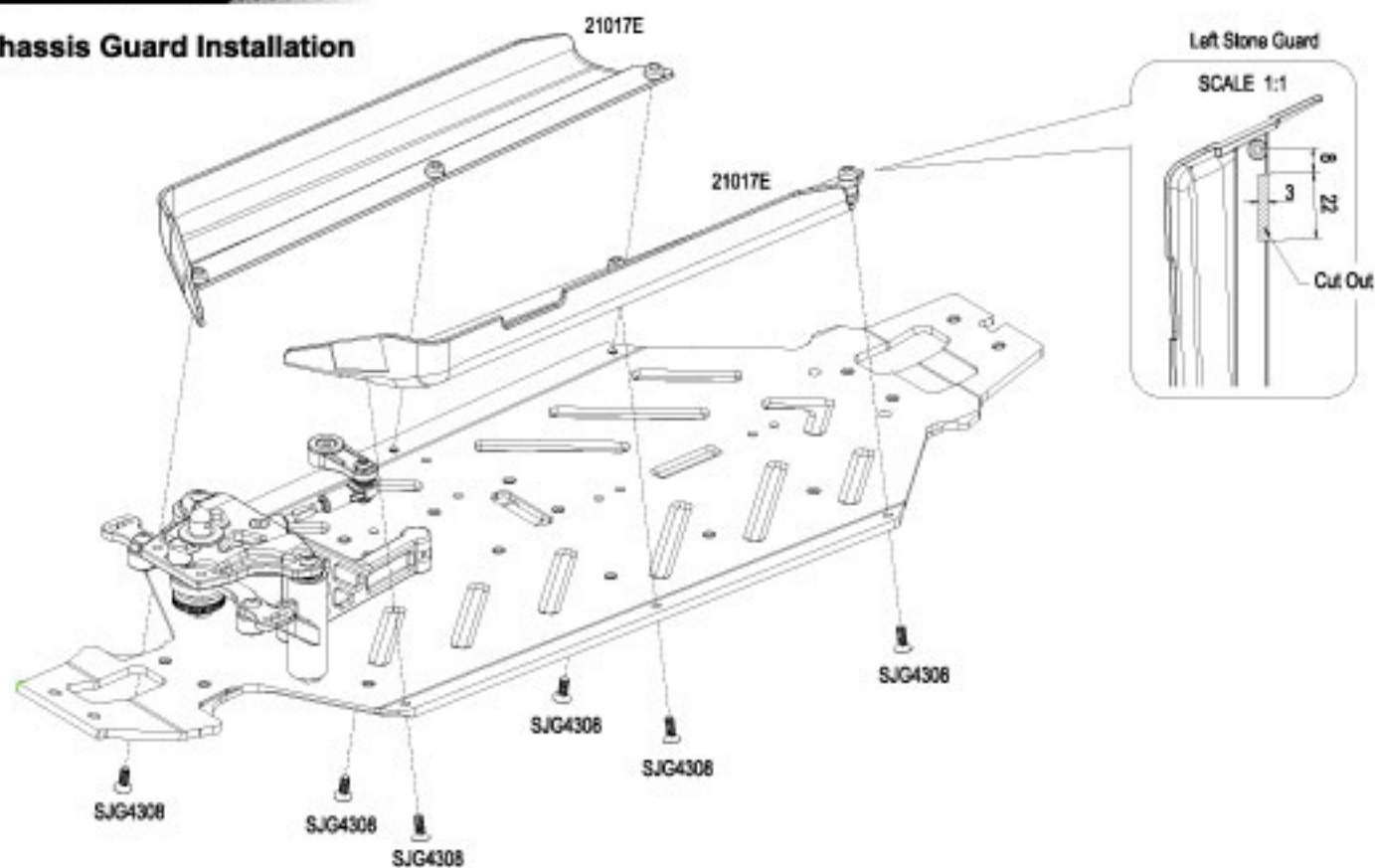
Completed Steering Assembly

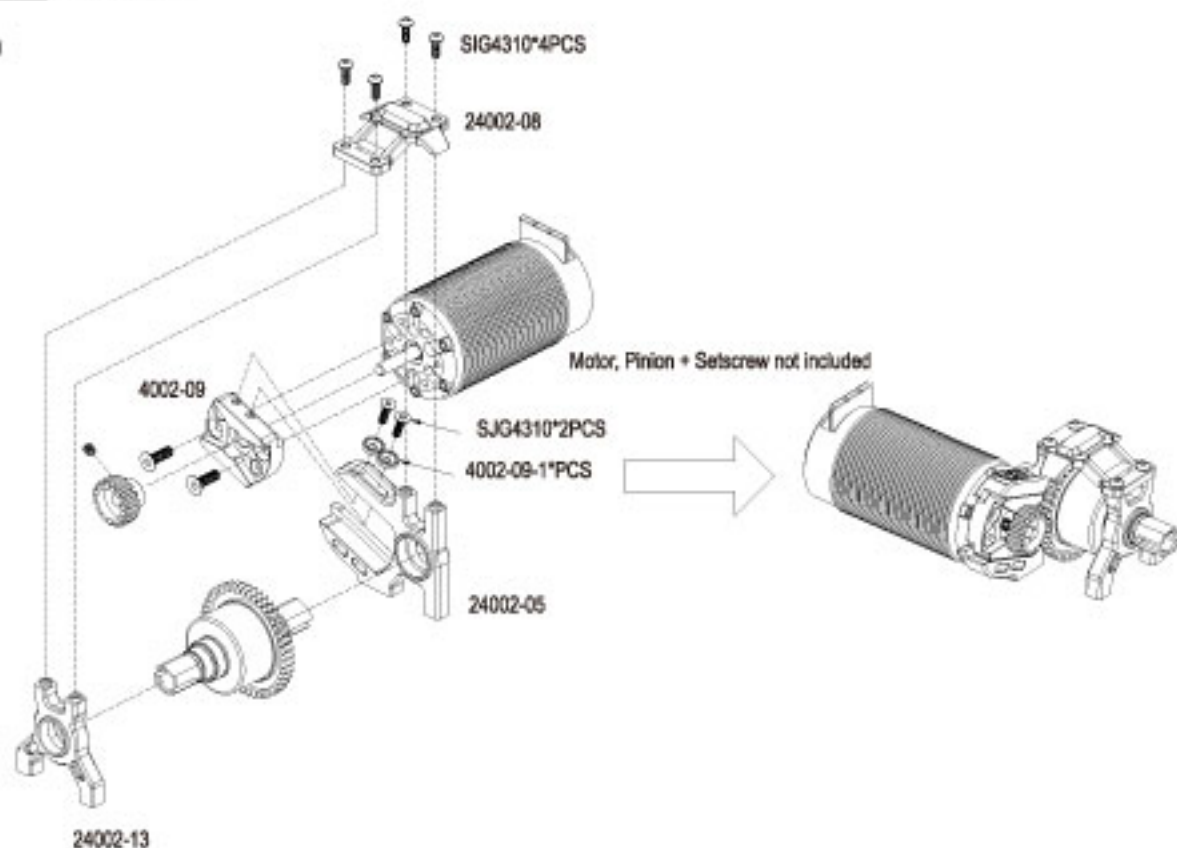
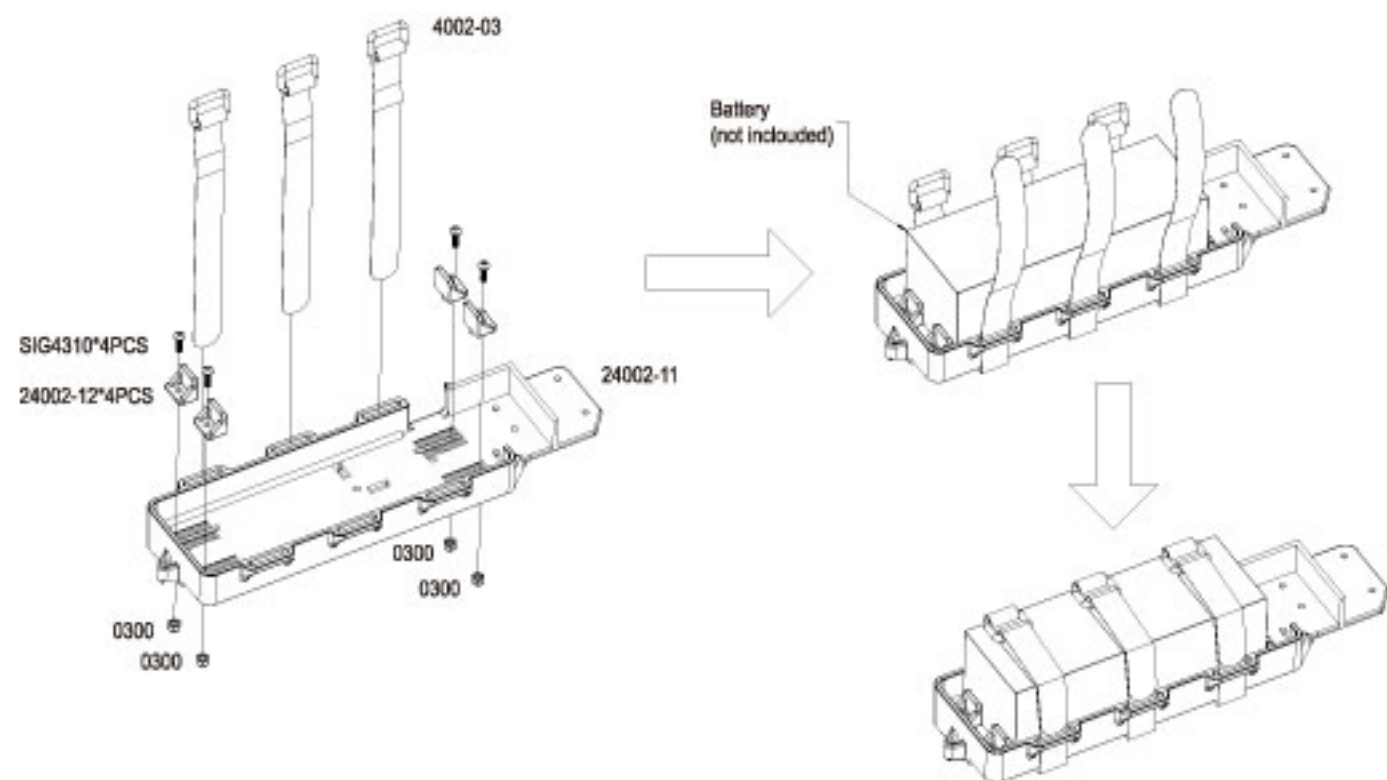


BAG K

STEP K-1

Chassis Guard Installation

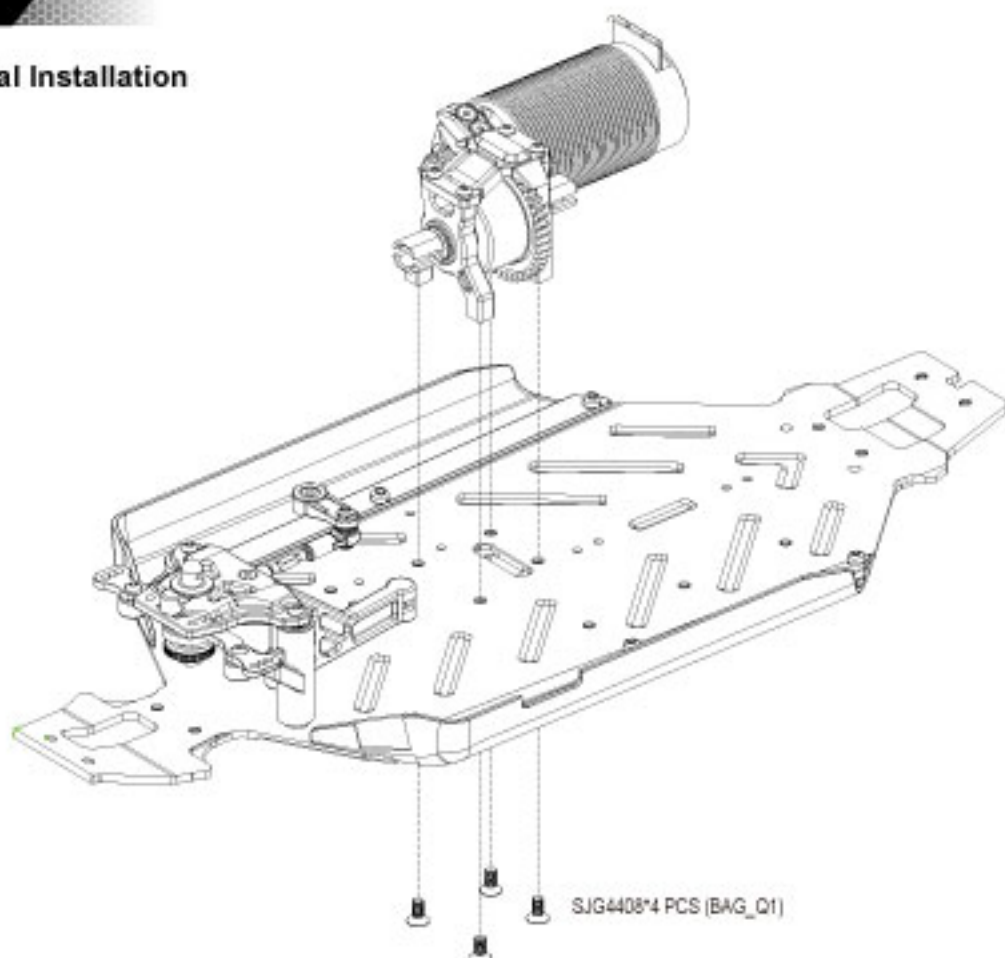


STEP Q - 1**Motor System****STEP Q - 2****Battery Tray Installation**

CHASSIS INSTALL **AZISE**

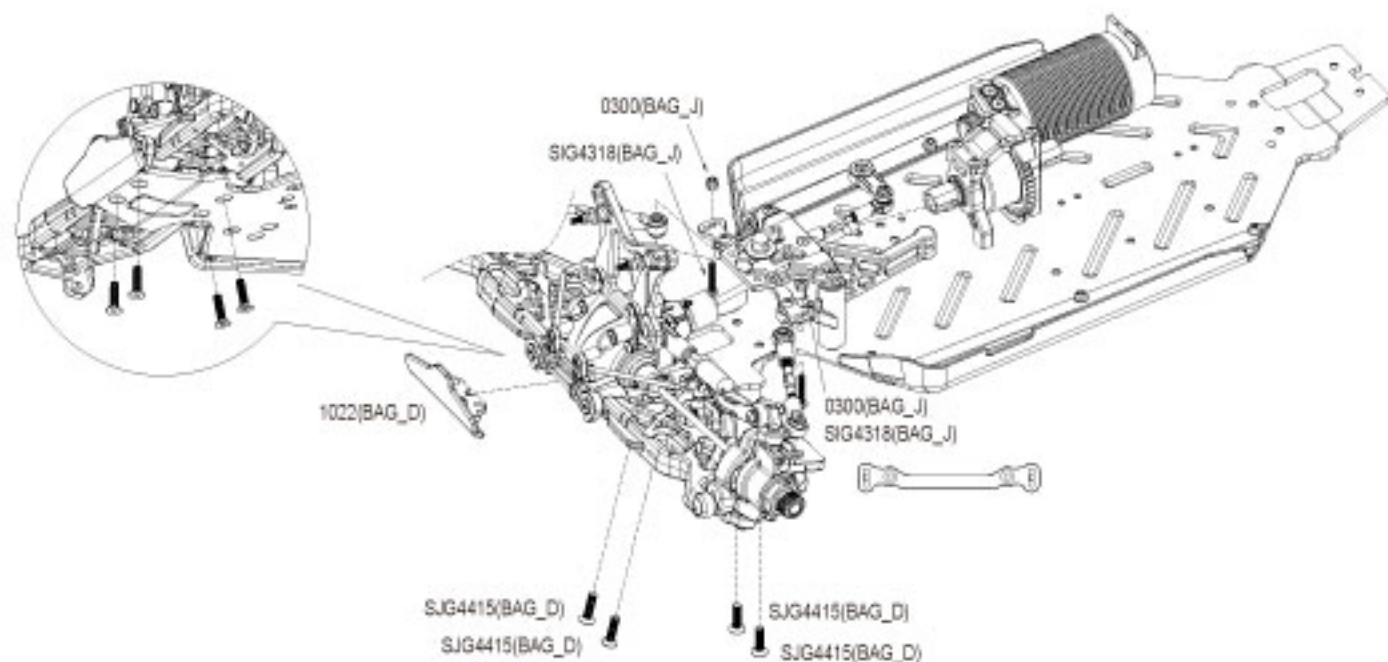
STEP - 1

Center Differential Installation



STEP - 2

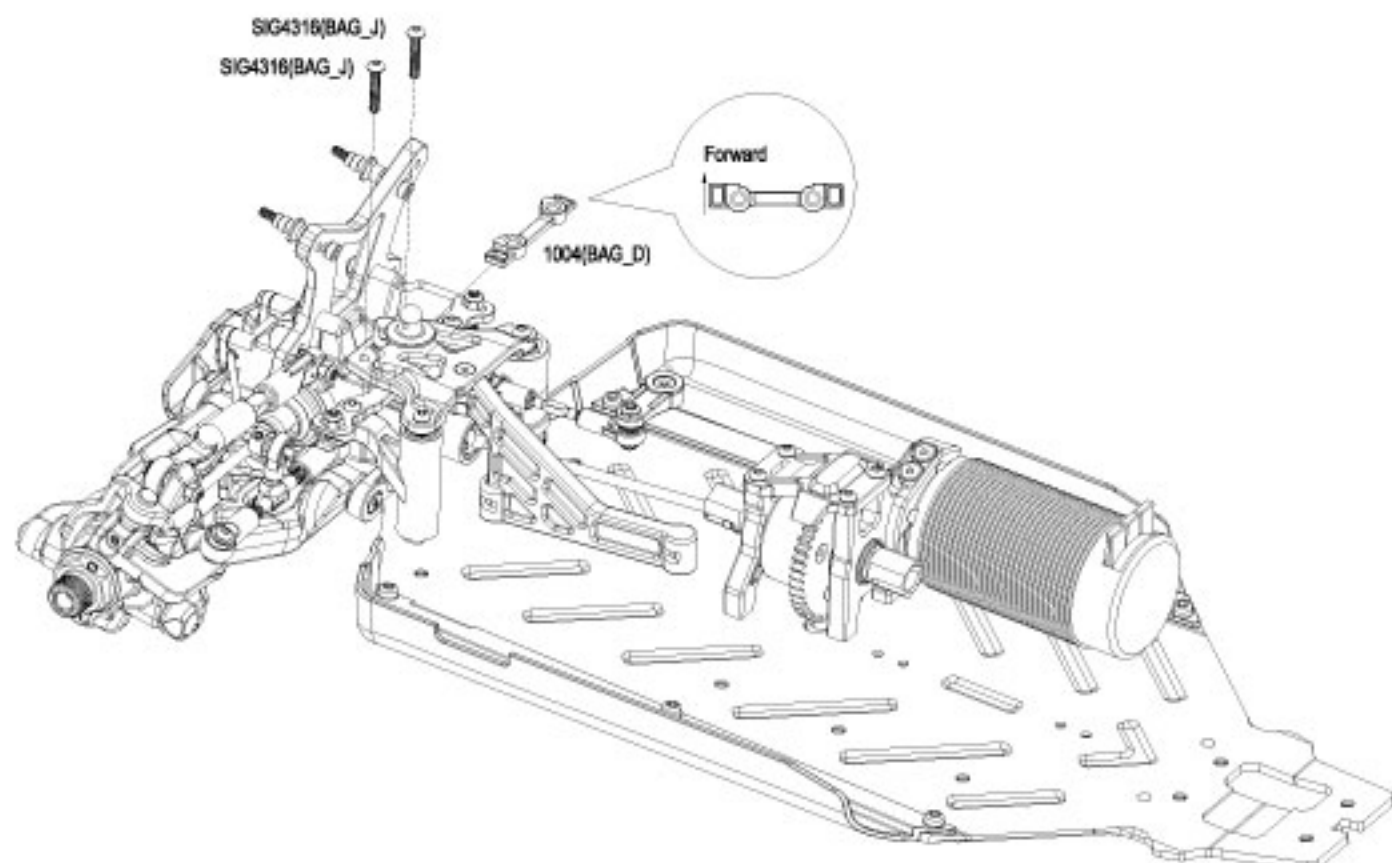
Front End Installation



CHASSIS INSTALL **AZISE**

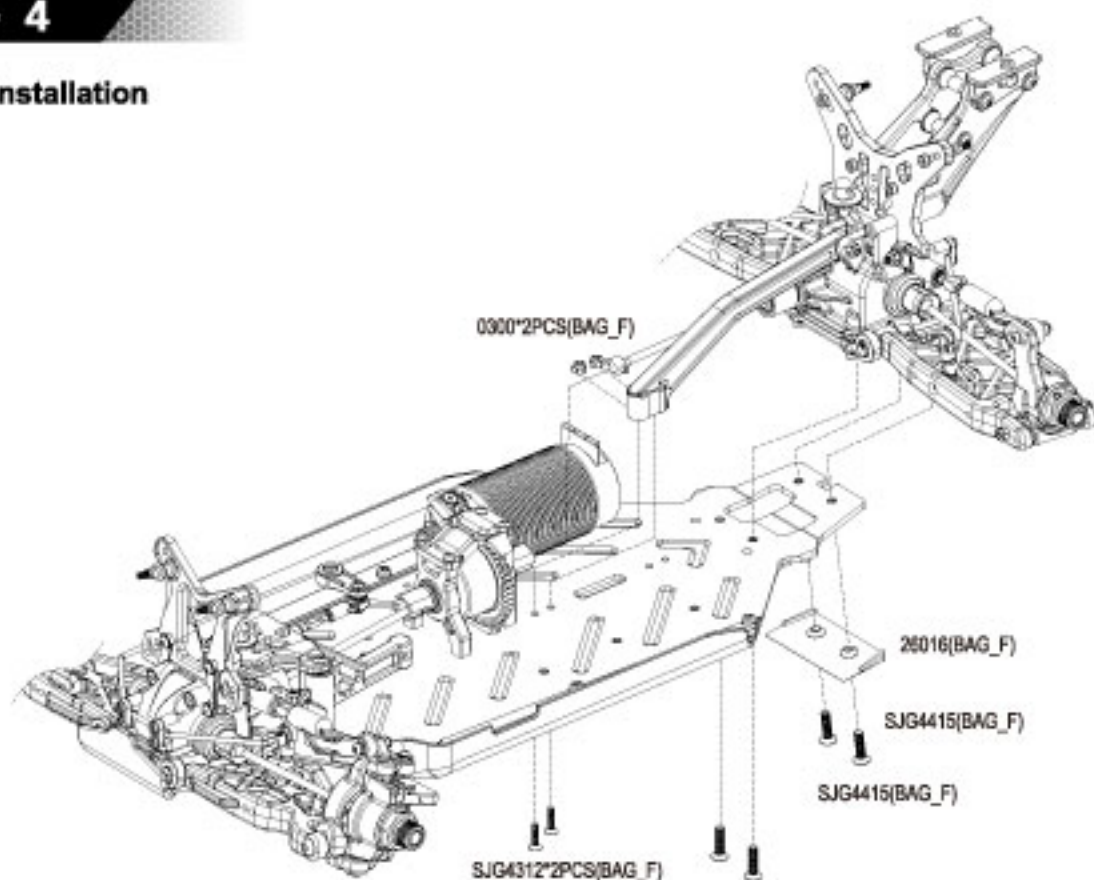
STEP - 3

Front End Installation



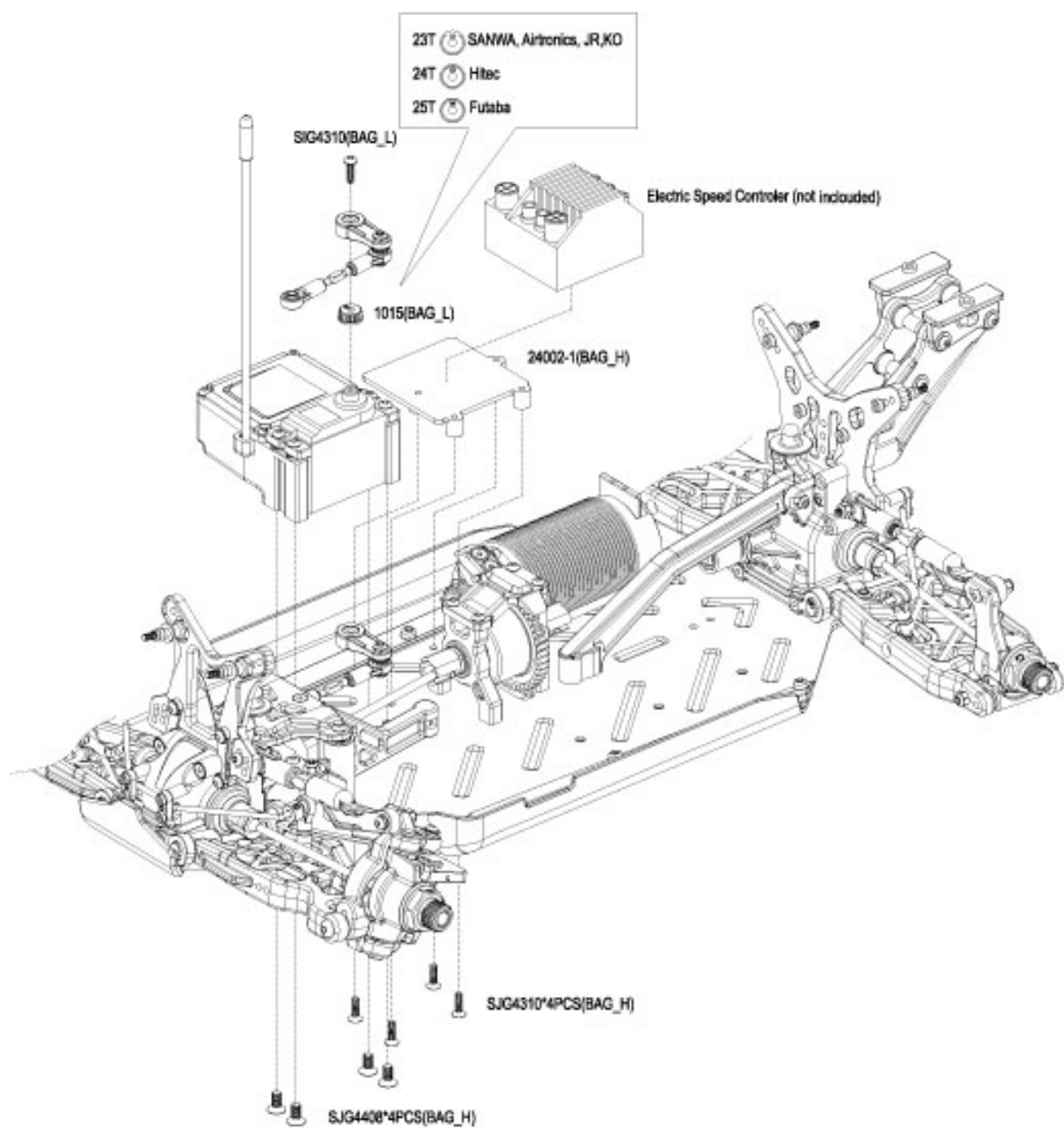
STEP - 4

Rear End Installation



STEP - 5

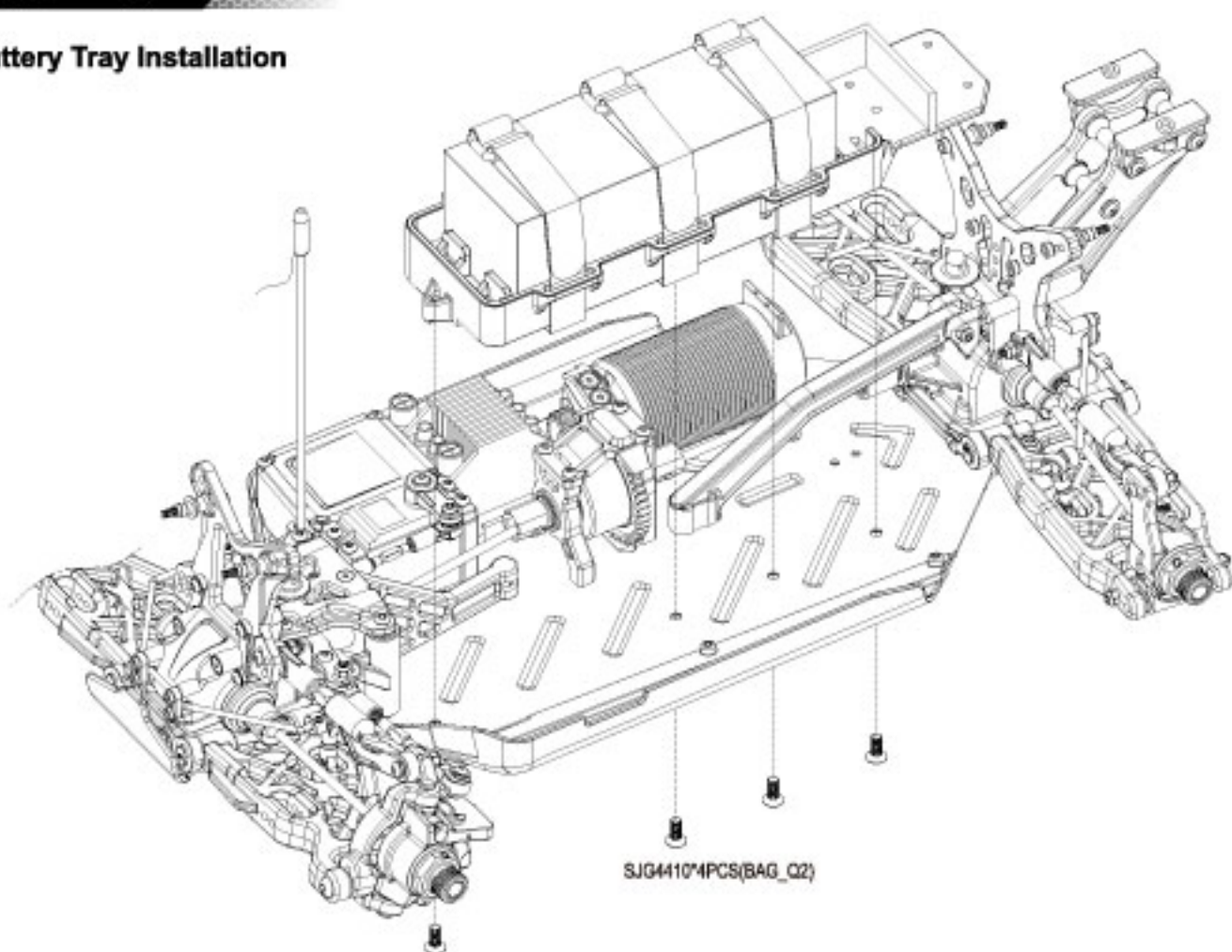
Receiver & Steer Servo Assembly



CHASSIS INSTALL **AZISE**

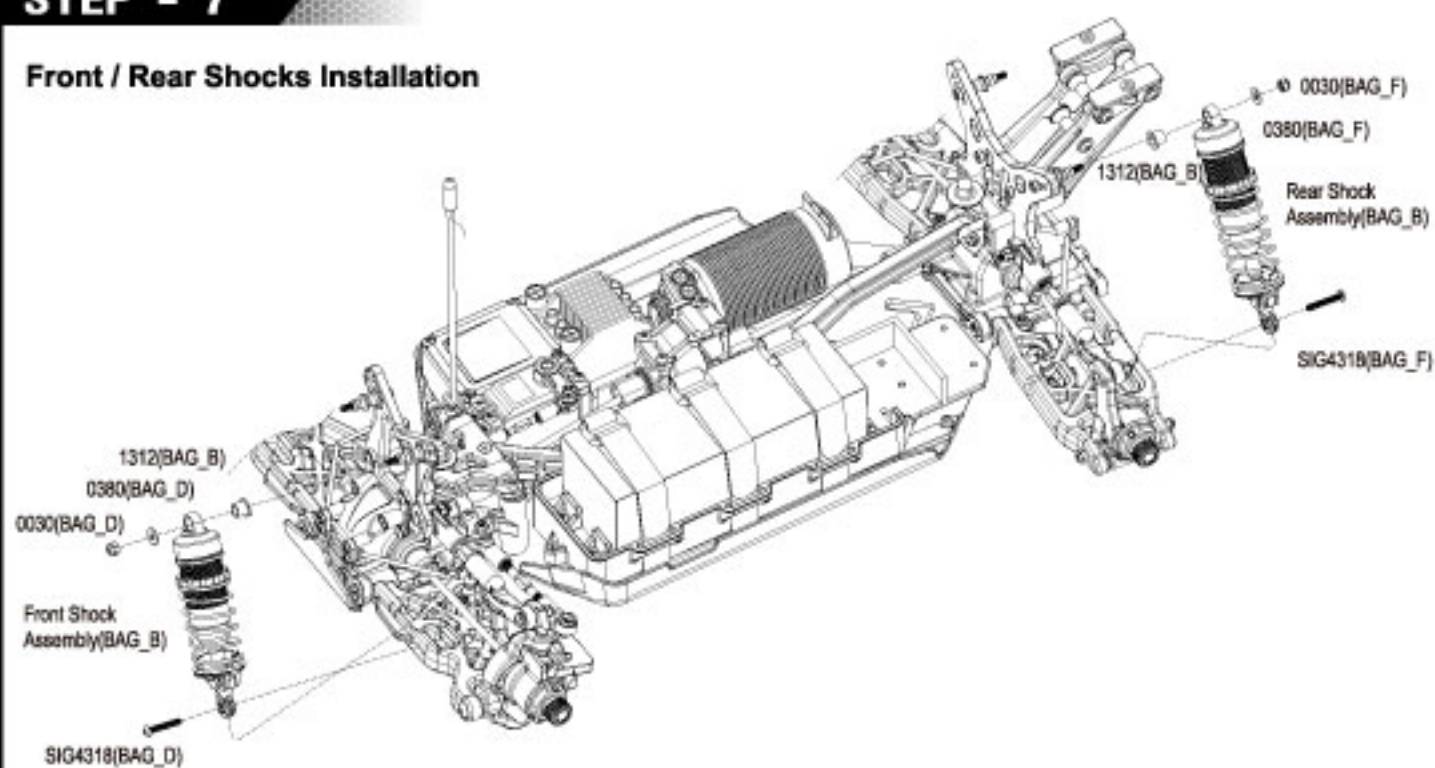
STEP - 6

Battery Tray Installation



STEP - 7

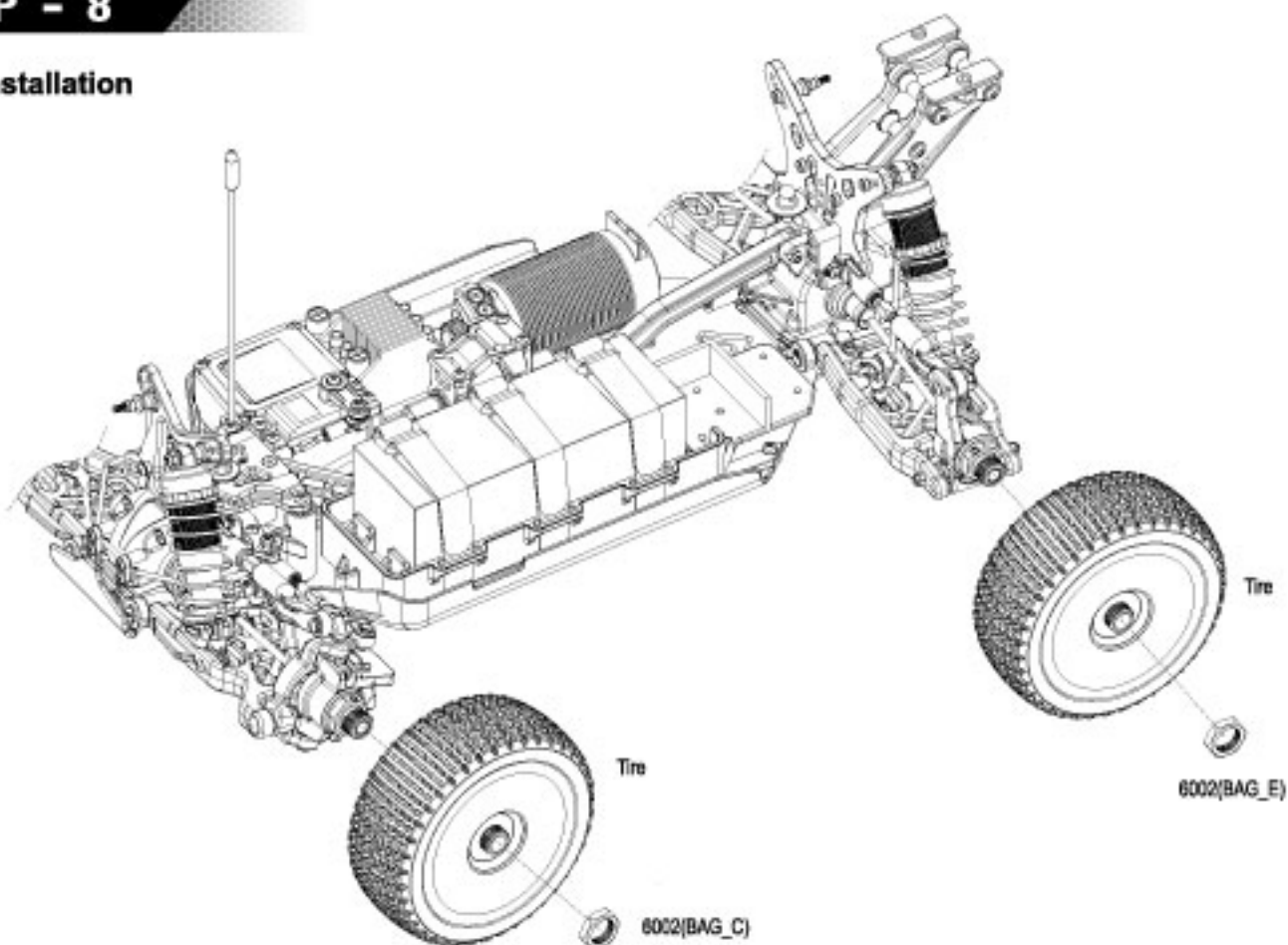
Front / Rear Shocks Installation



CHASSIS INSTALL **AZISE**

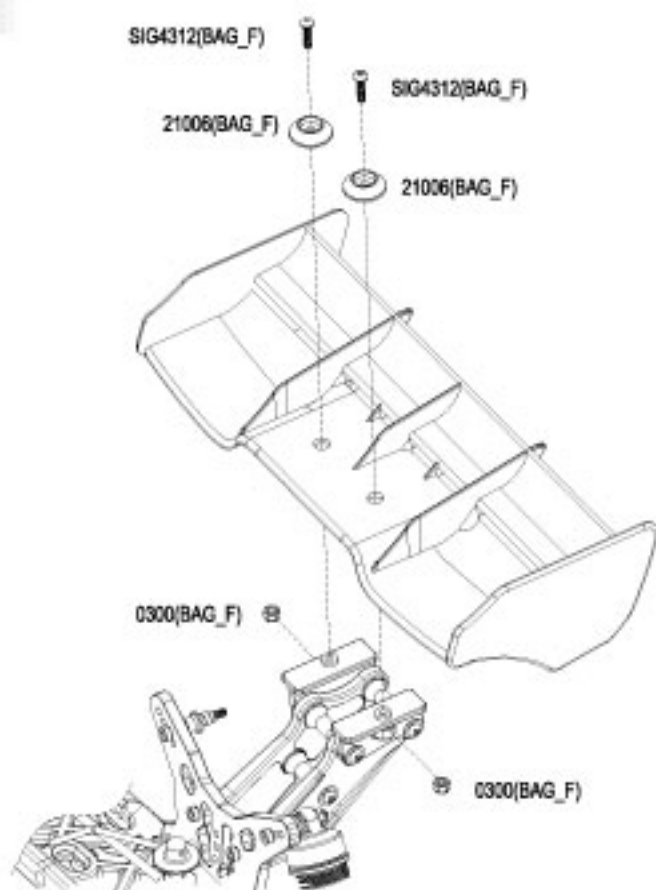
STEP - 8

Tire Installation



STEP - 9

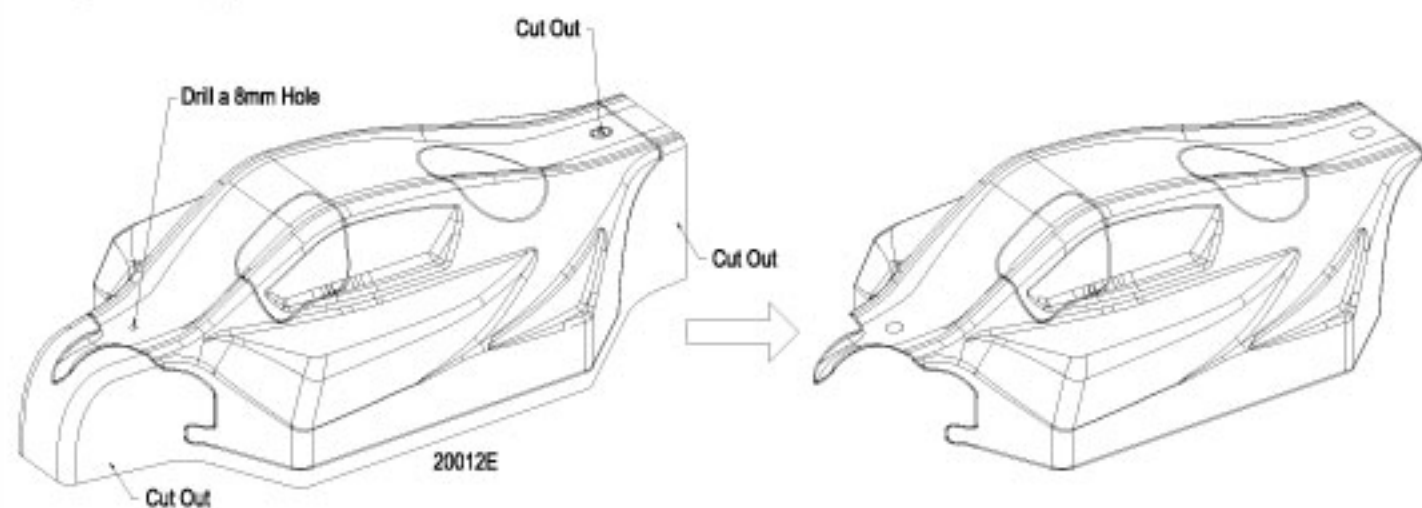
Wing Installation



CHASSIS INSTALL **AZISE**

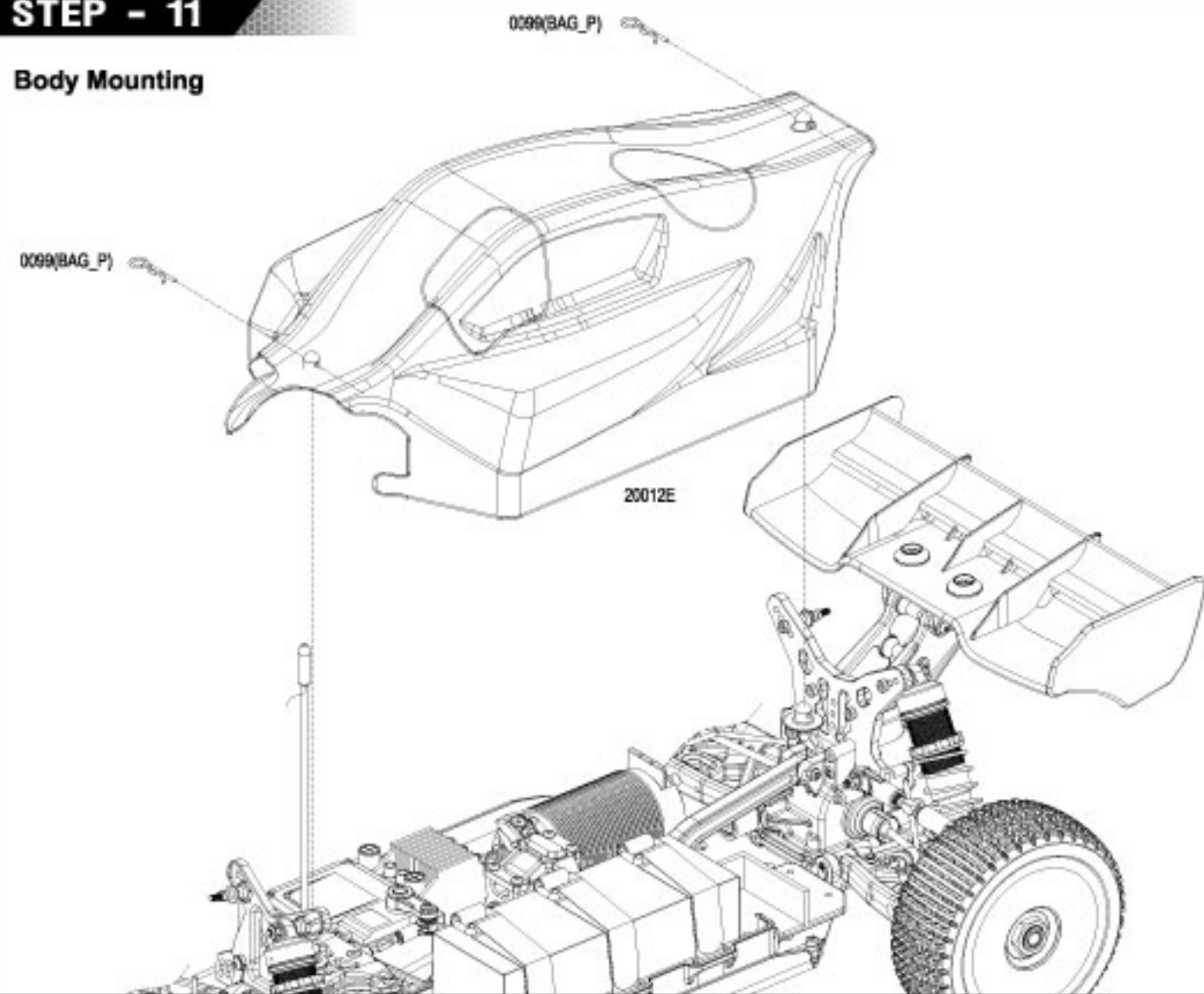
STEP - 10

Body Trimming



STEP - 11

Body Mounting



TRACK CONDITIONS Indoor Tight Smooth Hard Packed Blue Groove

Wet Low Bite High Bite Outdoor Open Rough Loose/Loamy

Dry Dusty Med Bite Other

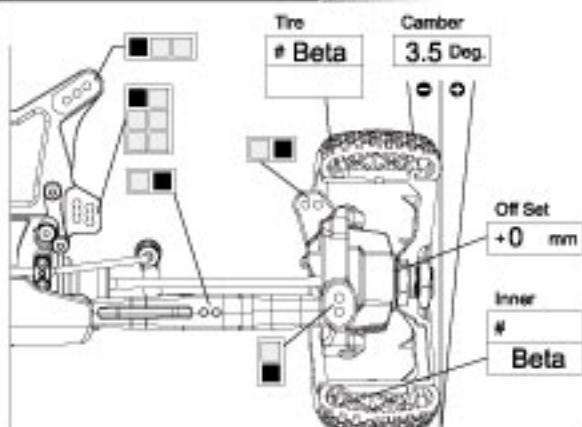
ESC _____ MOTOR _____ BATTERY _____ ; V _____ mAh

Pinion 16T 17T 18T Other _____ T

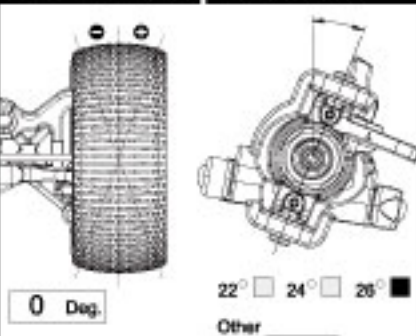
DIFF Front 10K OIL # _____ Center 3K OIL # _____ Rear 5K OIL # _____

43 T x 10 T Spur gear 45 T 40 T x 9 T

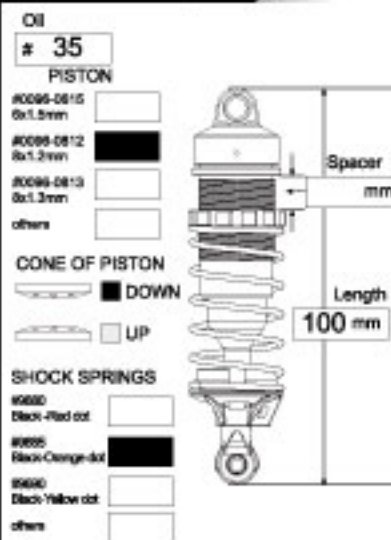
FRONT SUSPENSION



FRONT TOE ANGLE CASTER ANGLE



FRONT SHOCK



KICK UP



ANTI ROLL BAR FRONT

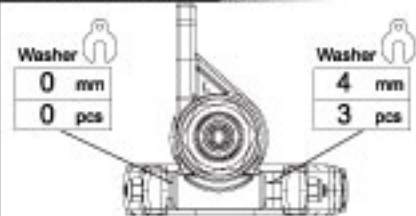


ANTI SQUAT

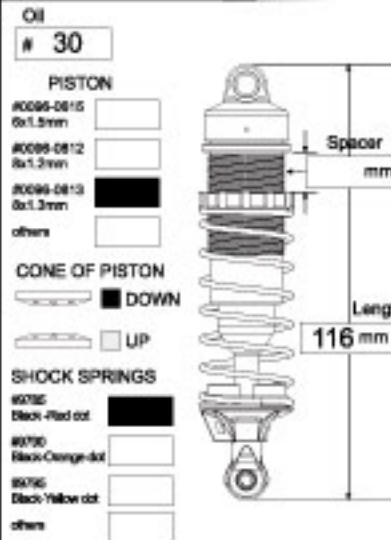
TOE ANGLE



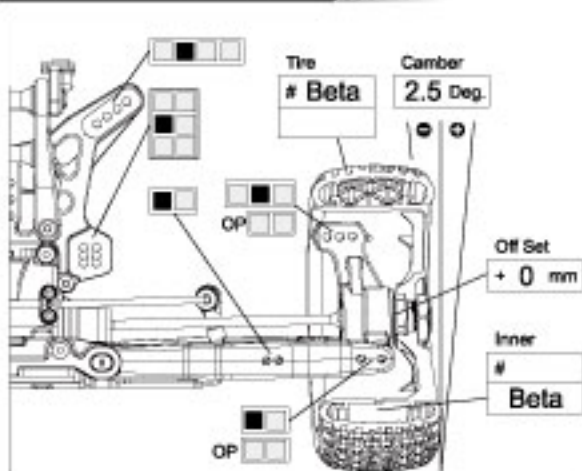
WHEEL BASE



REAR SHOCK



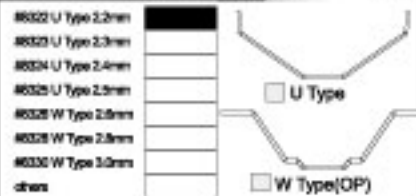
REAR SUSPENSION



WING POSITION



ANTI ROLL BAR REAR



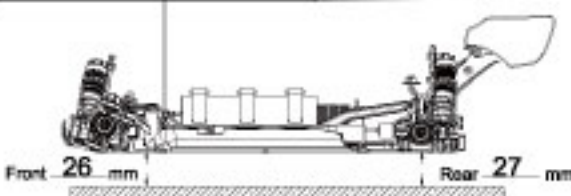
REAR CHASSIS BRACE



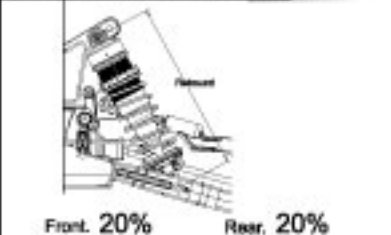
ACKERMAN



RIDE HEIGHT



DROOP LIMITER



TRACK CONDITIONS Indoor Tight Smooth Hard Packed Blue Groove

Wet Low Bite High Bite Outdoor Open Rough Loose/Loamy

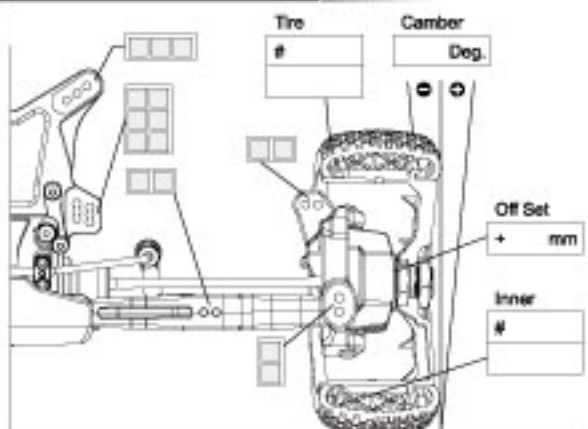
Dry Dusty Wed Bite Other

ESC _____ MOTOR _____ BATTERY _____ ; V _____ mAh

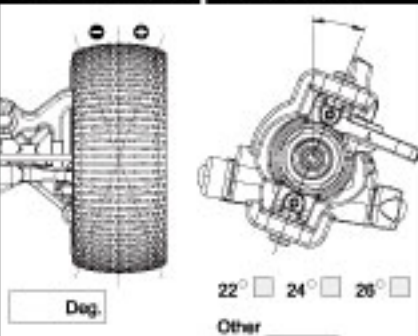
Pinion 16T 17T 18T Other _____ T

DIFF	Front	Oil #	Center	Oil #	Rear	Oil #
	T x T	T	Spur gear T	T	T x T	T

FRONT SUSPENSION



FRONT TOE ANGLE | CASTER ANGLE



ANTI ROLL BAR FRONT



KICK UP

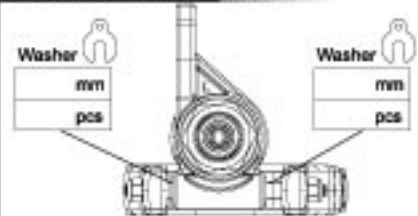


ANTI SQUAT

TOE ANGLE



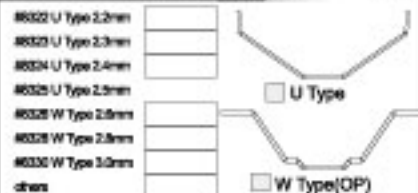
WHEEL BASE



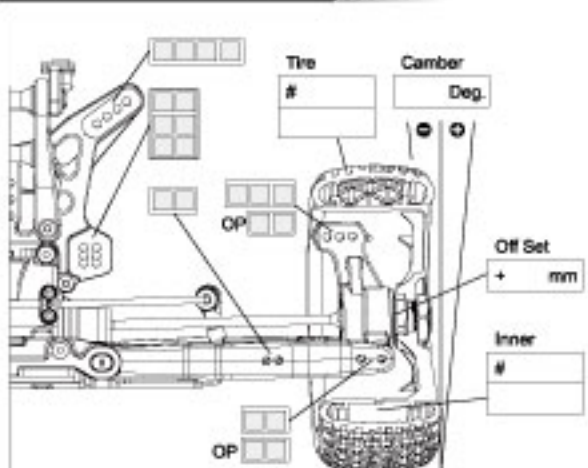
WING POSITION



ANTI ROLL BAR REAR



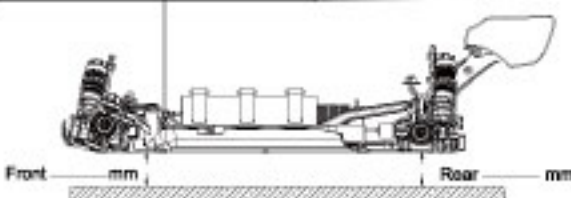
REAR SUSPENSION



ACKERMAN

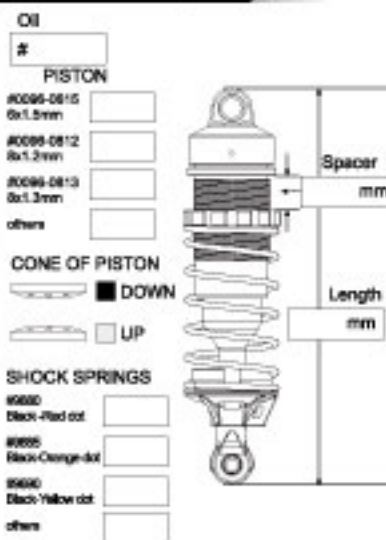


RIDE HEIGHT

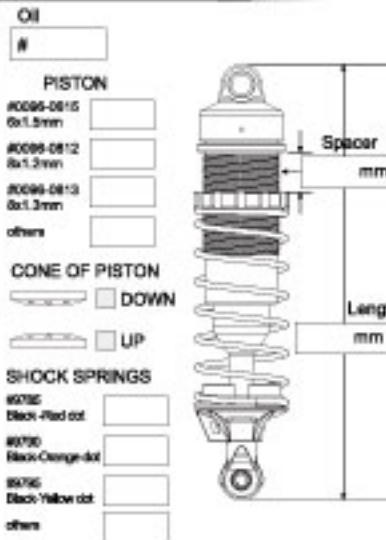


WING

FRONT SHOCK



REAR SHOCK



REAR CHASSIS BRACE



DROOP LIMITER

