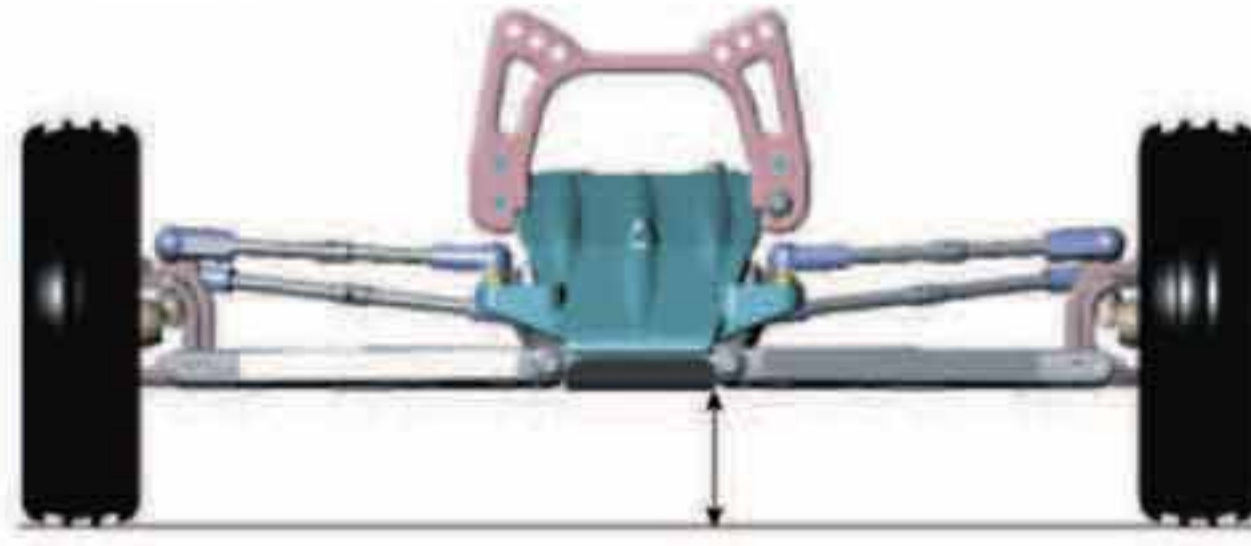


GV2 set up sheet

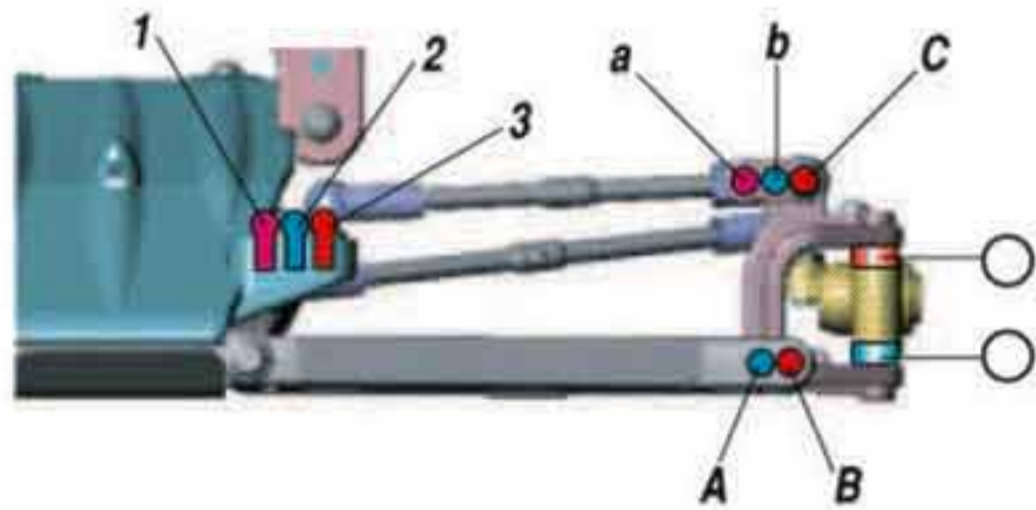
Name : Tony Newland
Date : 12/5/07
Track : intermountain R/C raceway

Track conditions
Size : Open Med. Tight
Traction : High Med. Low
Surface : Smooth Bumpy

Front suspension



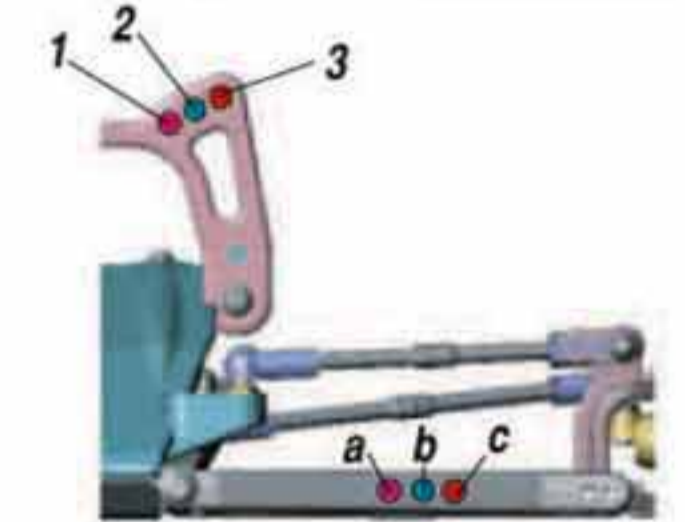
Ride height arms level
Camber angle -1 °
Caster angle 25° 27.5° 30°
Toe angle in/out 0 °
Rebound full mm
Upper arm position 1 a
Lower Arm Position a



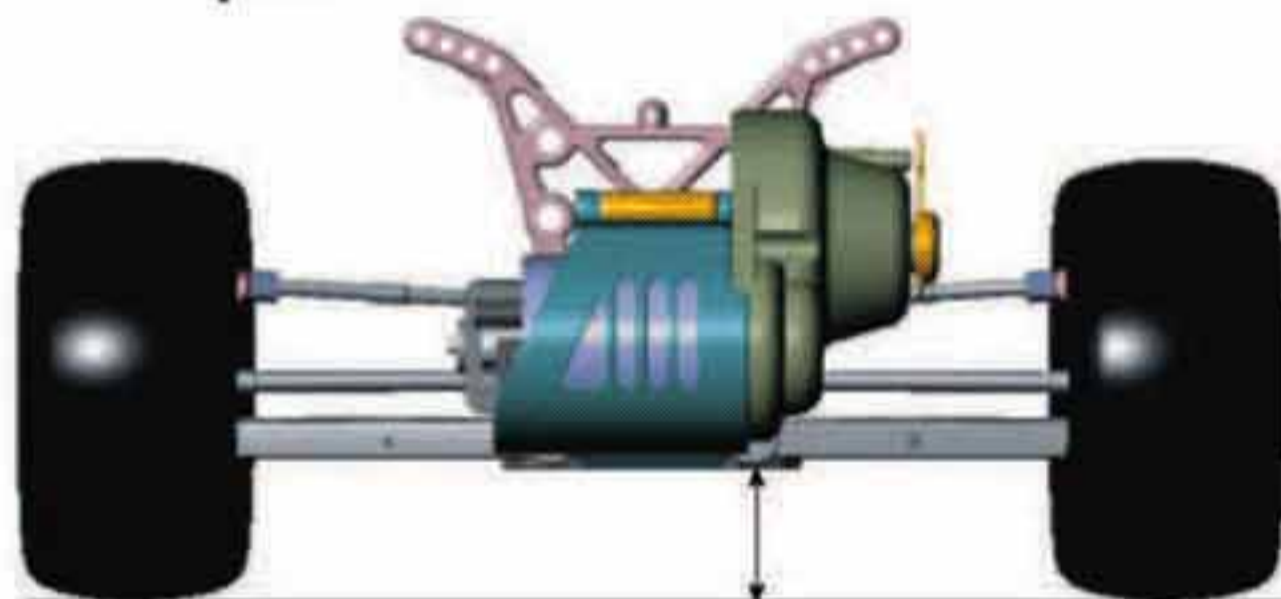
Front shocks



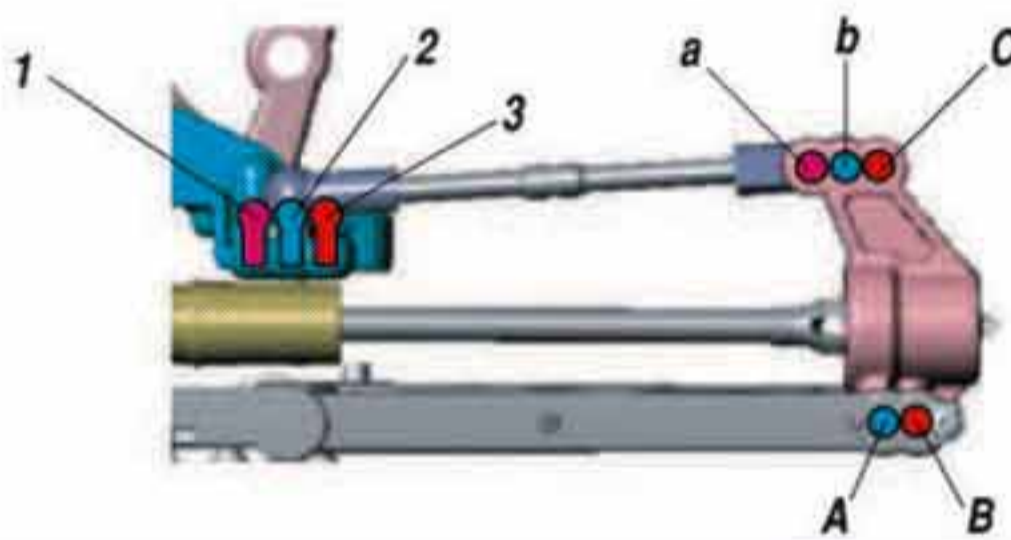
Piston 3x 57
Oil 30 losi
Spring academy black
Tension _____ mm
Shock length L
Shock position 2 b



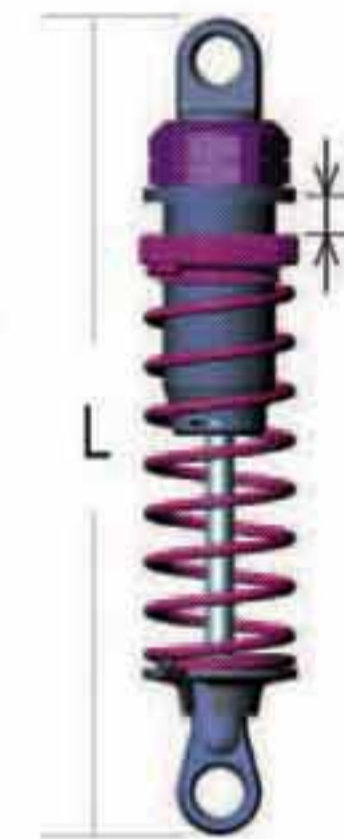
Rear suspension



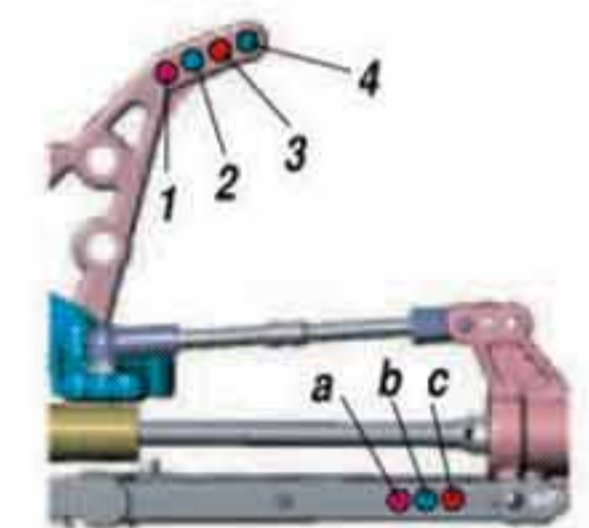
Ride height bones level
Camber angle -1 °
Anti-squat 3 °
Rebound full mm
Upper arm position 2 b
Anti-roll bar _____ ø
Toe angle stk °
Lower Arm Position a



Rear shocks



Piston 3x 56
Oil 20 losi
Spring academy white
Tension _____ mm
Shock length _____
Shock position 2 b



Tires & Wheels

	Front	Rear
Tire	<u>panther bobcat clay</u>	<u>panther switch 2.0 clay</u>
Insert	<u>bomb 1</u>	<u>bomb 1</u>
Wheel	<u>proline B4</u>	<u>academy</u>

Motor 7.5 lite T/
ESC gtb
Battery 4000 mA
Drive ratio S 80 T/P 23
Brake 4 blinks %
ABS Yes No
Matched Yes No
T x 2.42 = _____

Result

Race time / Lap _____ Best lap (1Lap) _____

Steering Servo hitec 635
Steering Speed 100 %
Steering Curve _____ %
Wing stock

PINION	SPUR GEAR					
	74	76	78	80	83	86
14						14.87
15						13.87
16						13.01
17					11.82	12.24
18					11.16	11.56
19				10.19	10.57	10.95
20				9.68	10.04	10.41
21			8.99	9.22	9.56	9.91
22			8.58	8.80	9.13	9.46
23		8.00	8.21	8.42	8.73	9.05
24		7.66	7.87	8.07	8.37	8.67
25	7.16	7.36	7.55	7.74	8.03	8.32
26	6.89	7.07	7.26	7.45	7.73	8.00

Slipper Yes No Soft Midium Hard

Comments
run 4.5oz stainless plate under battery, move shocks out one hole on rear for more steering, upper and lower