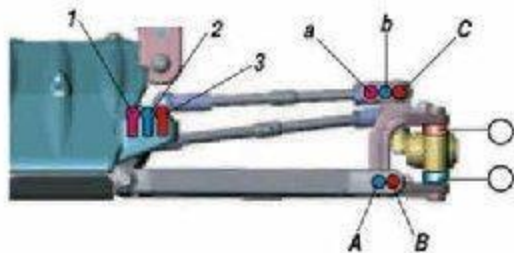


# GV2 set up sheet

Name : Nick Sava  
Date : 12-08-2007  
Track : Washtenaw R/C, Ann Arbor, MI

**Track conditions**  
Size :  Open  Med.  Tight  
Traction :  High  Med.  Low  
Surface :  Smooth  Bumpy

## Front suspension

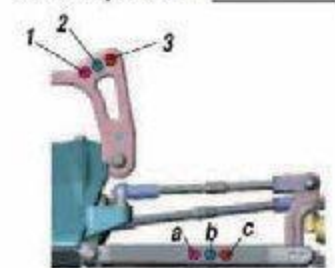


Ride height Arms slightly below level  
Camber angle -1 °  
Caster angle 25°  27.5°  30°   
Toe angle in/out °  
Rebound \_\_\_\_\_ mm  
Upper arm position 2-A  
Lower Arm Position A

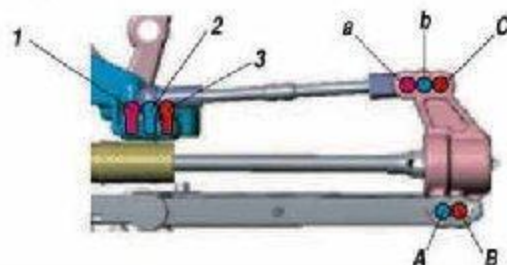
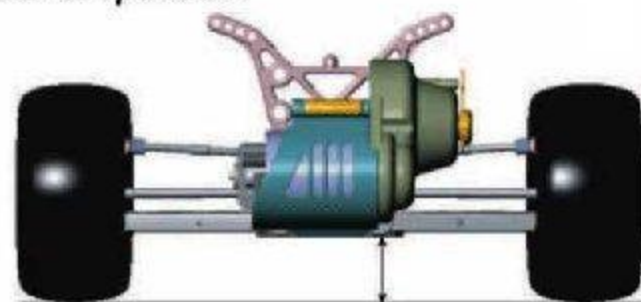
## Front shocks



Piston   /   
Oil Losi 35  
Spring Academy White  
Tension \_\_\_\_\_ mm  
Shock length \_\_\_\_\_  
Shock position 2-A



## Rear suspension

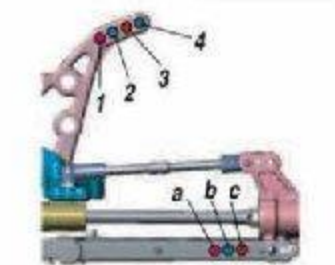


Ride height Bones Level  
Camber angle -1.5 °  
Anti-squat No Shims °  
Rebound \_\_\_\_\_ mm  
Upper arm position 2-B  
Anti-roll bar \_\_\_\_\_ Ø  
Toe angle Stock °  
Lower Arm Position A

## Rear shocks



Piston   /   
Oil Losi 35  
Spring Losi Pink  
Tension \_\_\_\_\_ mm  
Shock length \_\_\_\_\_  
Shock position 2-B



## Tires & Wheels

<b>Front</b>	<b>Rear</b>
Tire <u>Losi Red 3-Rib</u>	Tire <u>Losi Pink X-2000</u>
Insert <u>Stock rear</u>	Insert <u>Bomb 1 Grey</u>
Wheel <u>PL</u>	Wheel <u>PL</u>

Motor 4300kV  
ESC Tekin R1 Pro  
Battery 4200 mA  
Drive ratio S 83 T/P 23  
Brake 100 %  
ABS  Yes  No  
Matched  Yes  No  
T x 2.42 = 8.73

## Result

Race time / Lap 11:5:17 Best lap (1Lap) 27.7

PINION	SPUR GEAR					
	74	76	78	80	83	86
14						14.87
15						13.87
16						13.01
17					11.82	12.24
18					11.16	11.56
19				10.19	10.57	10.95
20				9.68	10.04	10.41
21			8.99	9.22	9.56	9.91
22			8.56	8.80	9.13	9.46
23		8.00	8.21	8.42	8.73	9.05
24		7.66	7.87	8.07	8.37	8.67
25	7.16	7.36	7.55	7.74	8.03	8.32
26	6.89	7.07	7.26	7.45	7.73	8.00

## Steering Servo

Steering Speed \_\_\_\_\_ %  
Steering Curve \_\_\_\_\_ %  
Wing \_\_\_\_\_

## Slipper

Yes  No  Soft  Medium  Hard

## Comments