

SET-UP SHEET

XRAY X1

RACE	Mibosport On-road Cup
TRACK	Blansko - Czech Republic

NAME	Micha? Milanowicz
CITY / COUNTRY	Blansko, Czech Republic
CONTACT	michal.milanowicz@wp.pl

DATE	22/08/2015
------	------------

QUALIFYING POSITION	BEST LAPTIME /sec	FINAL POSITION	RACE LENGTH /min
1	15,1	1	

TRACK	
TRACK SURFACE	<input type="checkbox"/> CARPET <input checked="" type="checkbox"/> ASPHALT
TRACK LAYOUT	<input checked="" type="checkbox"/> TECHNICAL <input type="checkbox"/> MIXED <input type="checkbox"/> FAST
TRACTION	<input type="checkbox"/> LOW <input checked="" type="checkbox"/> MEDIUM <input type="checkbox"/> HIGH

CENTER SHOCK ABSORBER		
SPRING	OIL /cSt	REBOUND /%
2,0	600	0
PISTON		HOLES DIAMETER /ø
<input type="checkbox"/> 2 HOLES <input checked="" type="checkbox"/> 3 HOLES	<input type="checkbox"/> 1.1mm <input checked="" type="checkbox"/> 1.2mm <input type="checkbox"/> 1.3mm	

SIDE SHOCK	
OIL /cSt	10k

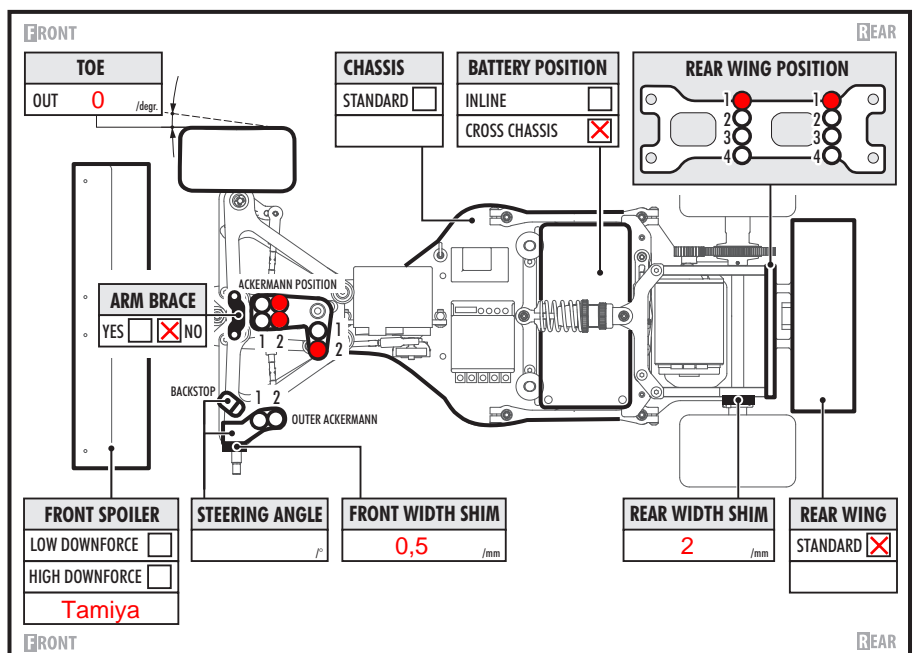
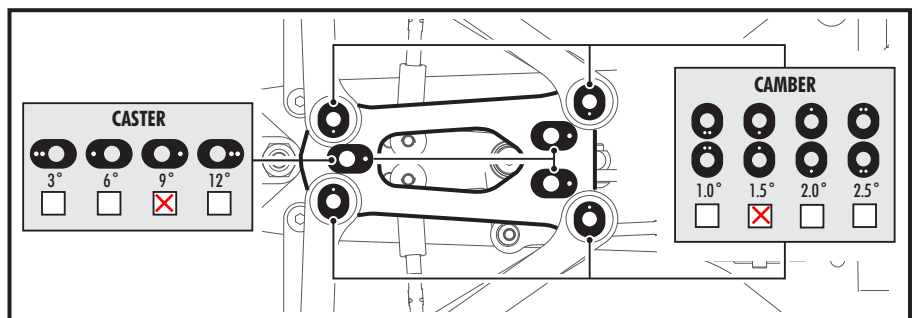
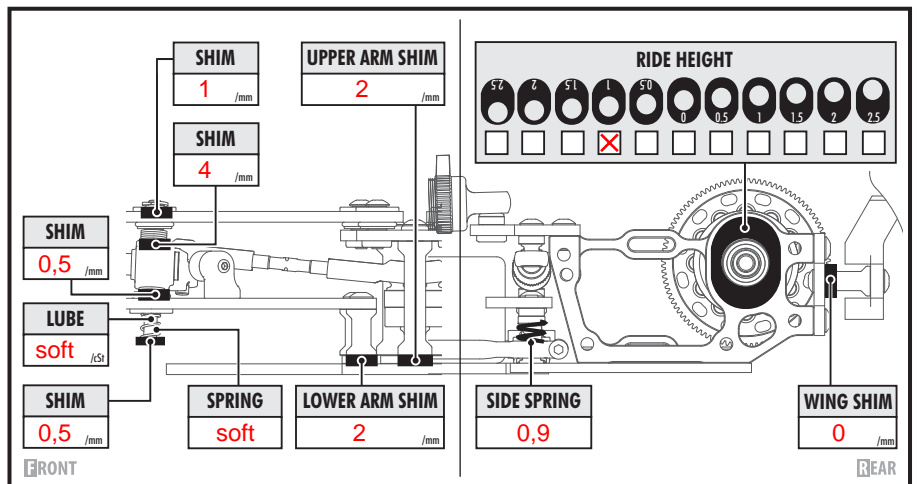
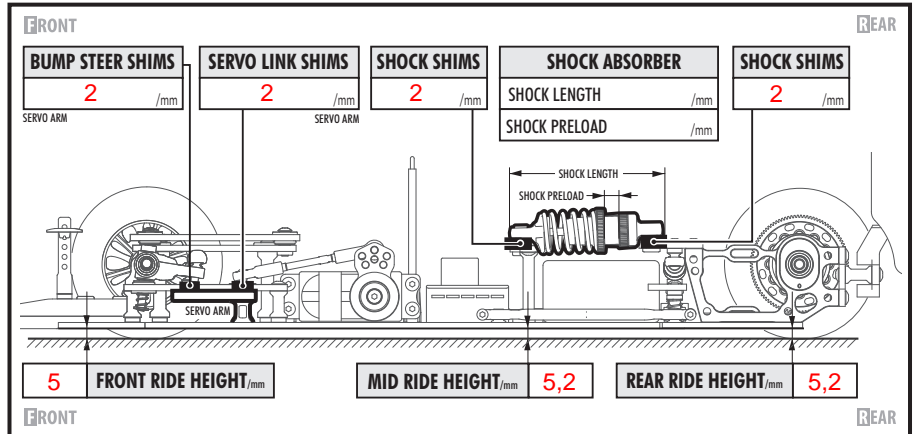
FRONT	TIRES	REAR
RIDE R1	TIRES	RIDE R1
CS	ADDITIVE	CS
20	ADDITIVE TIMING	20
FRONT LEFT	ADDITIVE TREATED AREA	REAR LEFT
FRONT RIGHT		REAR RIGHT

DIFF SETTING	
<input type="checkbox"/> LOOSE	<input checked="" type="checkbox"/> MEDIUM
	<input type="checkbox"/> TIGHT

GEARING		
PINION /T	SPUR GEAR /T	FINAL DRIVE RATIO
38	96	2,52

ELECTRONICS	
MOTOR	LRP 17,5T
SPEEDO	Dualsky 550JM - blinky mode
BATTERIES	KS Racing

BODY	
Xray	



COMMENTS	used tire warmer 10min before the start on 70c temp.
----------	--