

SET-UP SHEET

XRAY X1

RACE	ETS Final
TRACK	Hudy Racing Arena outdoor

NAME	Jan Ratheisky
CITY / COUNTRY	Trencin, Slovakia
CONTACT	j.ratheisky@gmail.com

DATE	28/06/2015
------	------------

QUALIFYING POSITION	BEST LAPTIME /sec	FINAL POSITION	RACE LENGTH /min
2	x	1	5

TRACK	
TRACK SURFACE	<input type="checkbox"/> CARPET <input checked="" type="checkbox"/> ASPHALT
TRACK LAYOUT	<input type="checkbox"/> TECHNICAL <input checked="" type="checkbox"/> MIXED <input type="checkbox"/> FAST
TRACTION	<input type="checkbox"/> LOW <input checked="" type="checkbox"/> MEDIUM <input type="checkbox"/> HIGH

CENTER SHOCK ABSORBER		
SPRING	OIL /cSt	REBOUND /%
2.2	450	30
PISTON		HOLES DIAMETER /ø
<input type="checkbox"/> 2 HOLES <input checked="" type="checkbox"/> 3 HOLES	<input type="checkbox"/> 1.1mm <input checked="" type="checkbox"/> 1.2mm <input type="checkbox"/> 1.3mm	

SIDE SHOCK	
OIL /cSt	450*

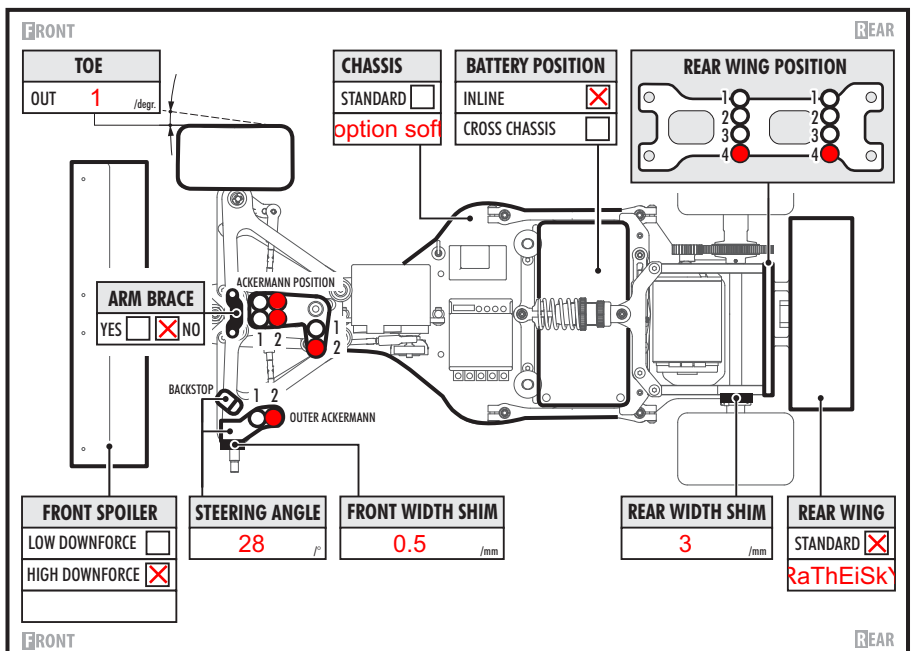
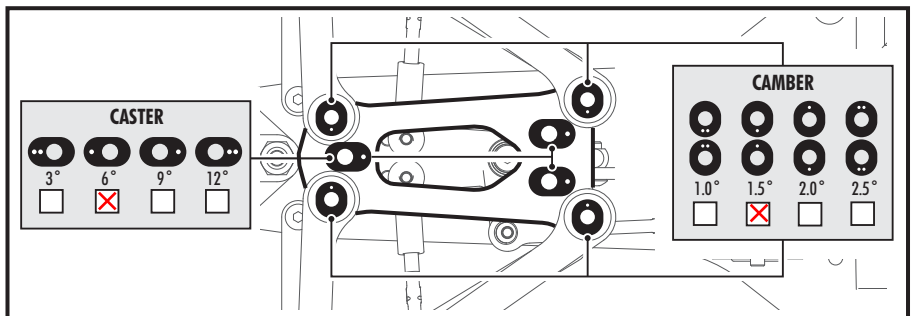
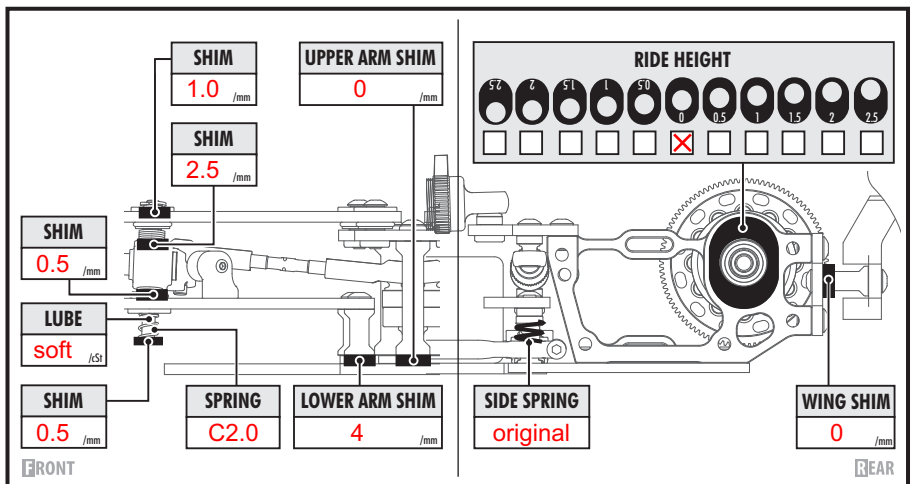
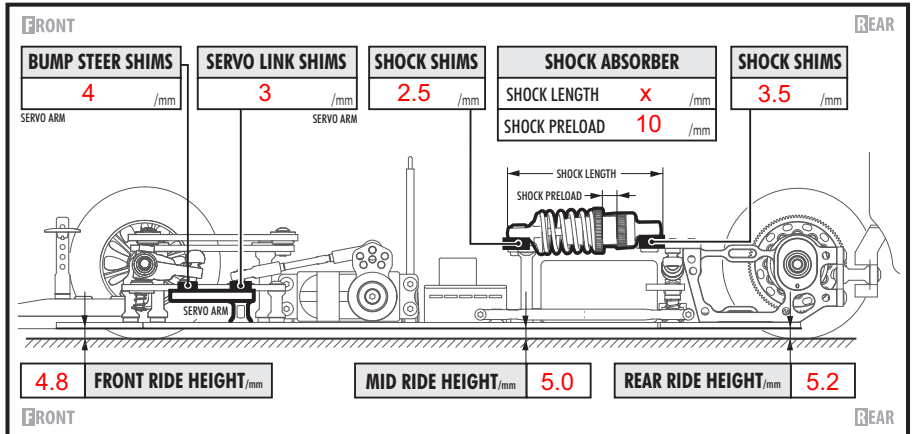
FRONT	TIRES	REAR
Ride	TIRES	Ride
Hudy	ADDITIVE	Hudy
20	ADDITIVE TIMING	20
FRONT LEFT	FRONT RIGHT	REAR LEFT
	ADDITIVE TREATED AREA	

DIFF SETTING	
<input type="checkbox"/> LOOSE	<input checked="" type="checkbox"/> MEDIUM
	<input type="checkbox"/> TIGHT

GEARING		
PINION /T	SPUR GEAR /T	FINAL DRIVE RATIO
36	78	2.16

ELECTRONICS	
MOTOR	Handout
SPEEDO	Handout
BATTERIES	LRP

BODY	
	Xray



COMMENTS	* We try some new stuff this weekend wich is like 450 oil
----------	---