

RACE	Snowbirds
TRACK	Snowbirds Hotel

NAME	Drew Ellis
CITY / COUNTRY	St. Louis, USA/
CONTACT	Prolevelrc@gmail.com

DATE	22/02/2015
------	------------

QUALIFYING POSITION	BEST LAPTIME /sec	FINAL POSITION	RACE LENGTH /min
7th	9.9	5th	

TRACK		
TRACK SURFACE	<input checked="" type="checkbox"/> CARPET	<input type="checkbox"/> ASPHALT
TRACK LAYOUT	<input type="checkbox"/> TECHNICAL	<input type="checkbox"/> MIXED <input type="checkbox"/> FAST
TRACTION	<input type="checkbox"/> LOW	<input type="checkbox"/> MEDIUM <input type="checkbox"/> HIGH

CENTER SHOCK ABSORBER		
SPRING	OIL /cSt	REBOUND /%
2.2	600	0
PISTON		HOLES DIAMETER /ø
<input type="checkbox"/> 2 HOLES	<input checked="" type="checkbox"/> 3 HOLES	<input checked="" type="checkbox"/> 1.1mm <input type="checkbox"/> 1.2mm <input type="checkbox"/> 1.3mm

SIDE SHOCK	
OIL /cSt	600

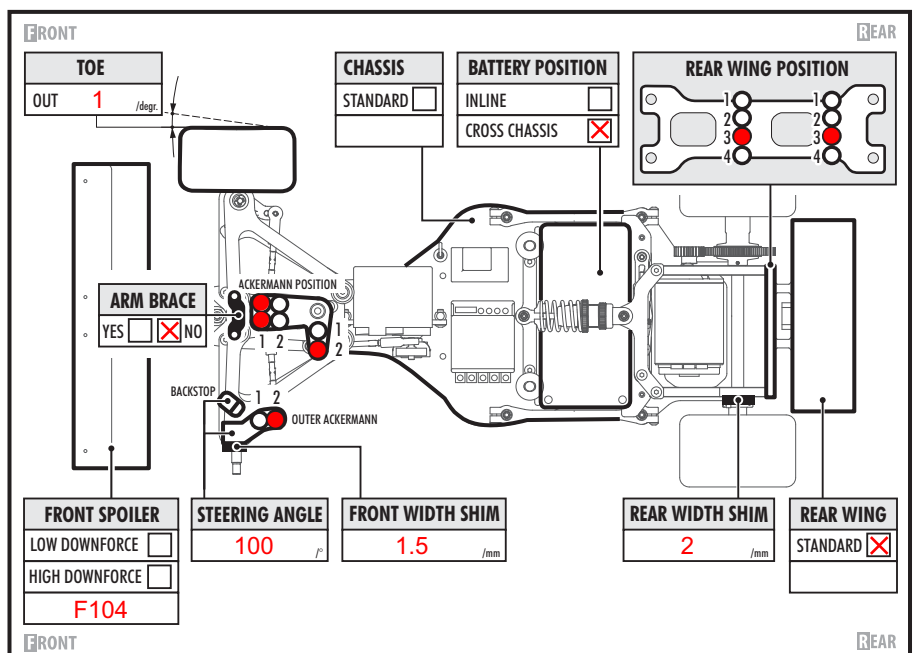
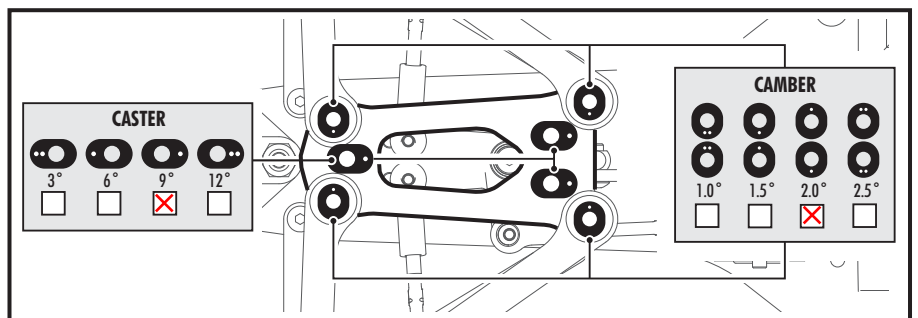
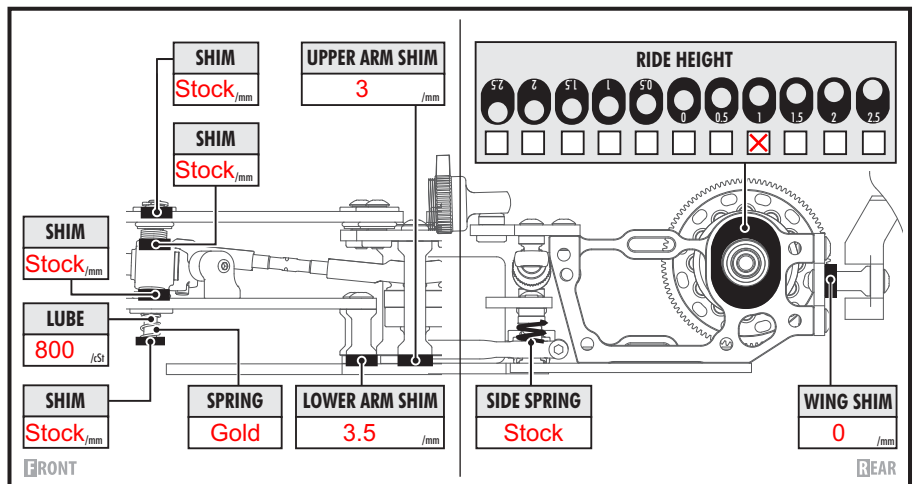
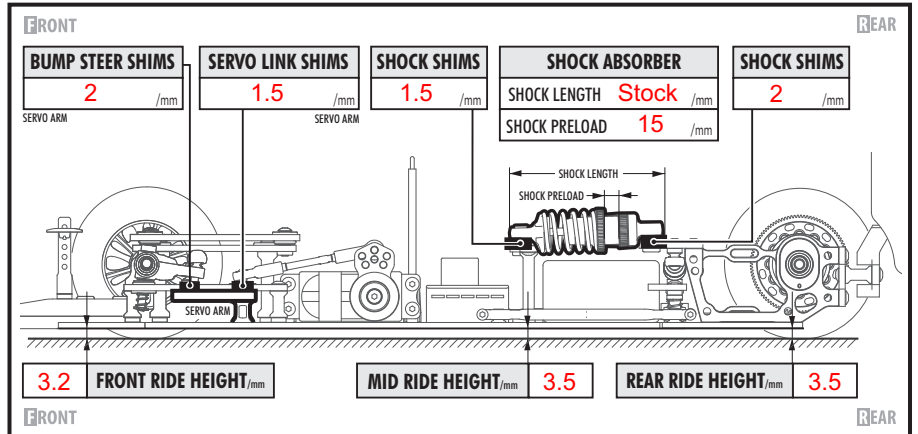
FRONT	TIRES	REAR
	TIRES	
LGC	ADDITIVE	LGC
	ADDITIVE TIMING	
FRONT LEFT	FRONT RIGHT	REAR LEFT
	ADDITIVE TREATED AREA	

DIFF SETTING		
<input type="checkbox"/>	<input type="checkbox"/>	<input checked="" type="checkbox"/>
LOOSE	MEDIUM	TIGHT

GEARING		
PINION /T	SPUR GEAR /T	FINAL DRIVE RATIO
36	96	

ELECTRONICS	
MOTOR	Trinity d4 1s team EAM
SPEEDO	Orca
BATTERIES	Orca

BODY	
Xray	



COMMENTS	Car was easy to drive.
----------	------------------------