

# SET-UP SHEET

RACE/TRACK

NAME

DATE

TEMPERATURE AIR  TEMPERATURE TRACK

QUAL POSITION	FINAL POSITION	BEST LAP TIME	LAPS	TIME
<input type="text"/>	<input type="text"/>	<input type="text"/> /sec	<input type="text"/> /	<input type="text"/>

### TRACK

SURFACE  CARPET  ASPHALT

LAYOUT  TECHNICAL  MIXED  FAST

TRACTION  LOW  MEDIUM  HIGH

### CENTER SHOCK ABSORBER

SPRING  FOAM INSERT YES  NO

OIL


PISTON


REBOUND

### ANTI-ROLL BAR

THICKNESS/mm

### SIDE DAMPING

SIDE TUBE  OIL

SIDE SHOCK  OIL

### TIRES

FRONT  TIRES

FRONT  ADDITIVE

FRONT  ADDITIVE TIMING

FRONT LEFT  FRONT RIGHT

REAR LEFT  REAR RIGHT

ADDITIVE TREATER AREA

### TRANSMISSION

**BALL DIFF**

LOOSE  MEDIUM  TIGHT

**GEAR DIFF**

OIL

### GEARING

PINION  SPUR GEAR  FINAL DRIVE RATIO

### ELECTRONICS

MOTOR

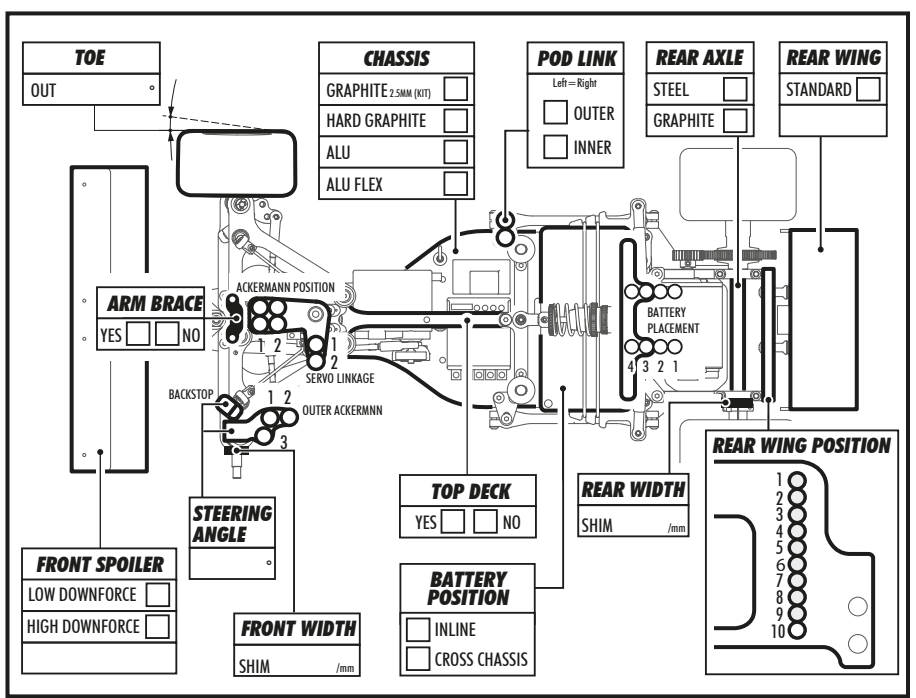
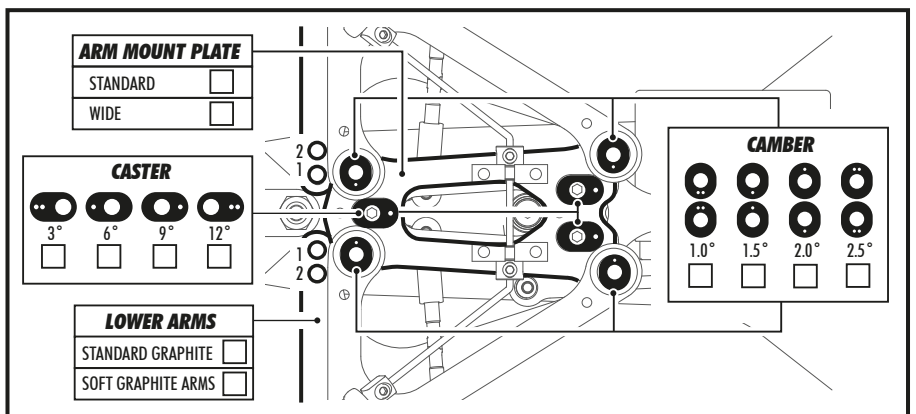
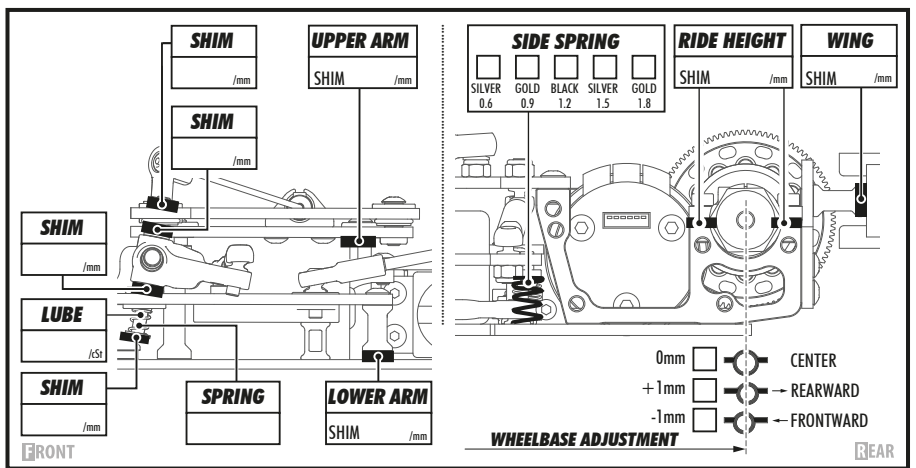
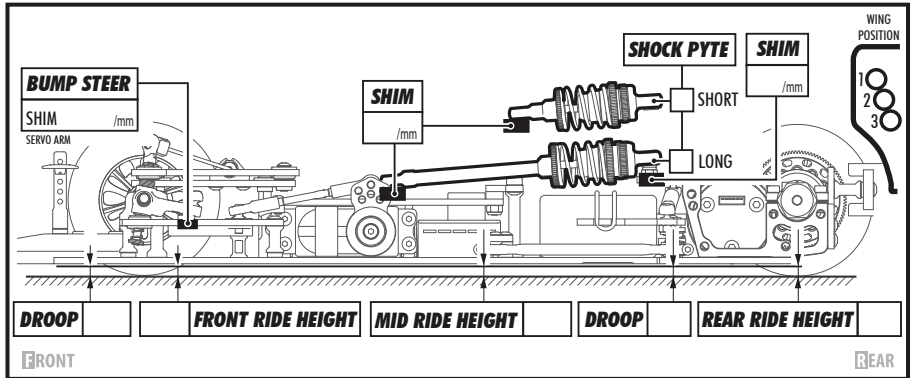
SPEEDO

BATTERIES

### BODY

FRONT SPOILER LOW DOWNFORCE  HIGH DOWNFORCE

FRONT WIDTH SHIM  /mm



# COMMENTS