

SET-UP SHEET

XRAY T4

RACE	2013 Summer Nats		
TRACK	IMCC		
NAME	Timothy Lee		
CITY / COUNTRY	Sydney	Australia	
CONTACT			

DATE	23/01/2013	TEMPERATURE / °F or °C	AIR 25°C	TRACK 40°C
------	------------	------------------------	----------	------------

QUALIFYING POSITION	BEST LAPTIME /sec	FINAL POSITION	RACE LENGTH /minutes
1	12.6	1	5

TRACK CONDITION	<input type="checkbox"/> CARPET	<input checked="" type="checkbox"/> ASPHALT	
<input type="checkbox"/> TECHNICAL	<input checked="" type="checkbox"/> MIXED	<input type="checkbox"/> FAST	
TRACTION	<input type="checkbox"/> LOW	<input checked="" type="checkbox"/> MEDIUM	<input type="checkbox"/> HIGH

FRONT	REAR
TRANSMISSION	

SOLID AXLE	<input checked="" type="checkbox"/> YES	BALL DIFFERENTIAL	<input type="checkbox"/> YES
SOLID ONE WAY DIFF.	<input type="checkbox"/> YES		
ONE WAY DIFFERENTIAL	<input type="checkbox"/> YES		

GEAR DIFFERENTIAL	<input type="checkbox"/> YES	GEAR DIFFERENTIAL	<input checked="" type="checkbox"/> YES
OIL		OIL	700 /cst

PINION / T	18	SPUR GEAR / T	84
FINAL DRIVE RATIO	4.6666666666667	ROLLOUT	NaN

FRONT	XRAY SPRINGS	REAR
2.7		2.3-2.6

350	OIL / CST	350
	LENGTH /mm	
	PRELOAD /mm	
0	REBOUND %	0

<input checked="" type="checkbox"/> YES	<input type="checkbox"/> NO	FOAM INSERTS	<input checked="" type="checkbox"/> YES	<input type="checkbox"/> NO
<input type="checkbox"/> YES	<input checked="" type="checkbox"/> NO	O-RING ON SHAFT	<input type="checkbox"/> YES	<input checked="" type="checkbox"/> NO

<input type="checkbox"/> 3 HOLES	<input checked="" type="checkbox"/> 4 HOLES	PISTONS	1.0mm	<input type="checkbox"/> 3 HOLES	<input type="checkbox"/> 4 HOLES
			1.1mm		
			1.2mm		
		OTHERS			

1.4	THICKNESS/mm	ANTI-ROLL BAR	THICKNESS/mm	1.2
-----	--------------	---------------	--------------	-----

Nosram 30X	TIRES	Nosram 30X
	INSERTS	
Tweak	ADDITIVE	Tweak
30	ADDITIVE TIMING	30



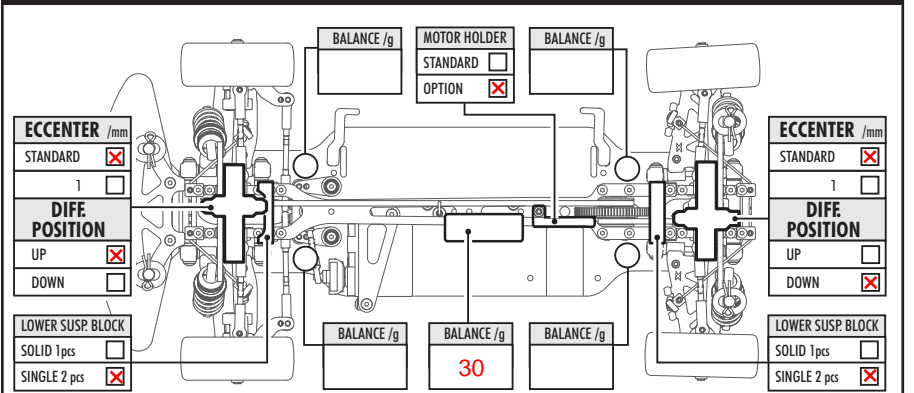
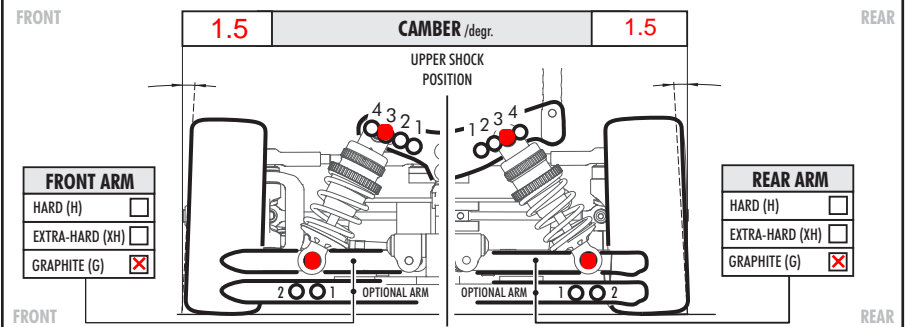
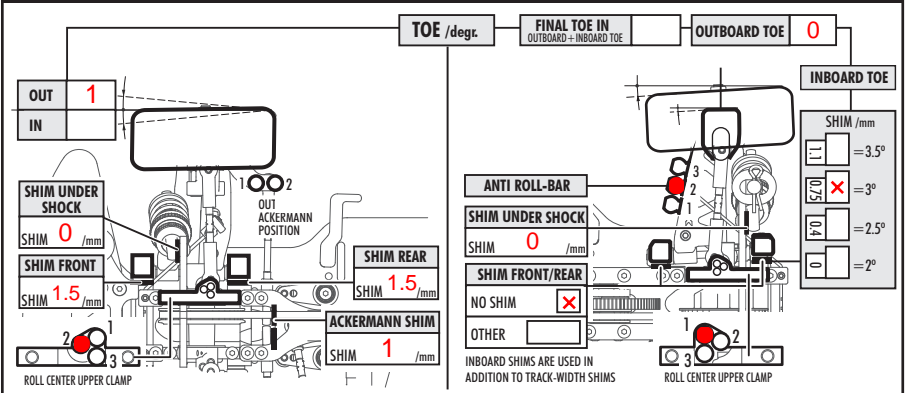
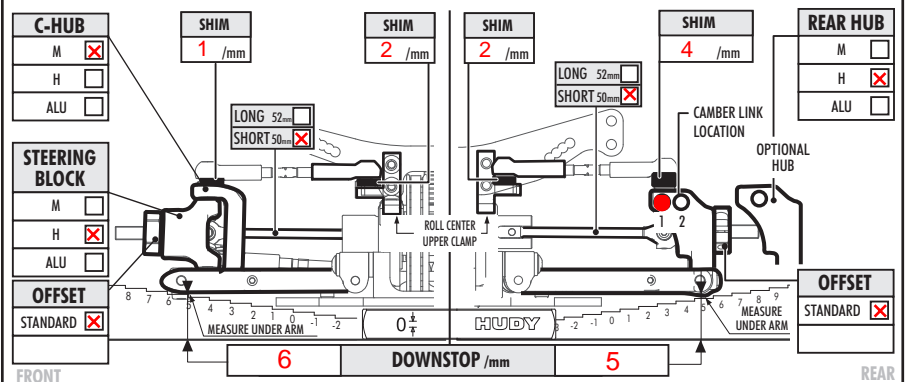
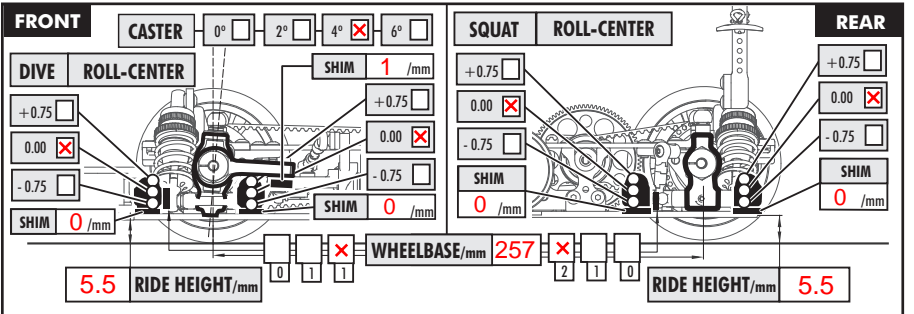
Nosram	WHEELS	Nosram		
<input type="checkbox"/> S	<input type="checkbox"/> M	<input checked="" type="checkbox"/> H		
	HARDNESS	<input type="checkbox"/> S	<input type="checkbox"/> M	<input checked="" type="checkbox"/> H

MOTOR	Nosram Pure evo2 4.5	TIMING	-10
ROTOR	12.5 wt	ARMATURE	

ESC	Nosram comet HD	BATTERIES	Intellect 6800
-----	-----------------	-----------	----------------

BODY	Protoform LTC-R	WING	Carbon
------	-----------------	------	--------

● - APPLIED S-SOFT M-MEDIUM H-HARD



COMMENTS
ECS driveshafts
Forward layshaft screws out of deck