

# SET-UP SHEET

# XRAY T4

RACE	ROAR Region 2 Series, Race 1		
TRACK	Debbie's RC World		
NAME	robbie dodge		
CITY / COUNTRY	Chesapeake, VA USA		
CONTACT			

DATE	26/05/2013	TEMPERATURE / °F or °C	AIR	TRACK
------	------------	------------------------	-----	-------

QUALIFYING POSITION	BEST LAPTIME /sec	FINAL POSITION	RACE LENGTH /minutes
2	13.2	1	6

TRACK CONDITION	<input type="checkbox"/> CARPET	<input checked="" type="checkbox"/> ASPHALT	
<input type="checkbox"/> TECHNICAL	<input checked="" type="checkbox"/> MIXED	<input type="checkbox"/> FAST	
TRACTION	<input type="checkbox"/> LOW	<input checked="" type="checkbox"/> MEDIUM	<input type="checkbox"/> HIGH

FRONT	REAR
TRANSMISSION	

SOLID AXLE	<input type="checkbox"/> YES	BALL DIFFERENTIAL	<input type="checkbox"/> YES
SOLID ONE WAY DIFF.	<input type="checkbox"/> YES		
ONE WAY DIFFERENTIAL	<input type="checkbox"/> YES		

GEAR DIFFERENTIAL	<input type="checkbox"/> YES	GEAR DIFFERENTIAL	<input checked="" type="checkbox"/> YES
OIL	Gravity 2.5 Mil	OIL	2k /cst

PINION / T	26	SPUR GEAR / T	114
FINAL DRIVE RATIO	4.3846153846154	ROLLOUT	NaN

FRONT	REAR	
2.7	XRAY SPRINGS	2.5
350	OIL / CST	350
	LENGTH /mm	
	PRELOAD /mm	
0	REBOUND %	0

<input type="checkbox"/> YES	<input checked="" type="checkbox"/> NO	FOAM INSERTS	<input type="checkbox"/> YES	<input checked="" type="checkbox"/> NO
<input type="checkbox"/> YES	<input checked="" type="checkbox"/> NO	O-RING ON SHAFT	<input type="checkbox"/> YES	<input checked="" type="checkbox"/> NO

<input type="checkbox"/> 3 HOLES	<input checked="" type="checkbox"/> 4 HOLES	PISTONS	1.0mm	<input type="checkbox"/> 3 HOLES	<input type="checkbox"/> 4 HOLES
			1.1mm	<input checked="" type="checkbox"/> 3 HOLES	<input checked="" type="checkbox"/> 4 HOLES
			1.2mm	<input type="checkbox"/> 3 HOLES	<input checked="" type="checkbox"/> 4 HOLES
		OTHERS			

1.4	THICKNESS/mm	ANTI-ROLL BAR	THICKNESS/mm	1.2
-----	--------------	---------------	--------------	-----

Sweep OG Spec	TIRES	Sweep OG Spec
LG1 & LG2	INSERTS	LG1 & LG2
30	ADDITIVE	30
	ADDITIVE TIMING	



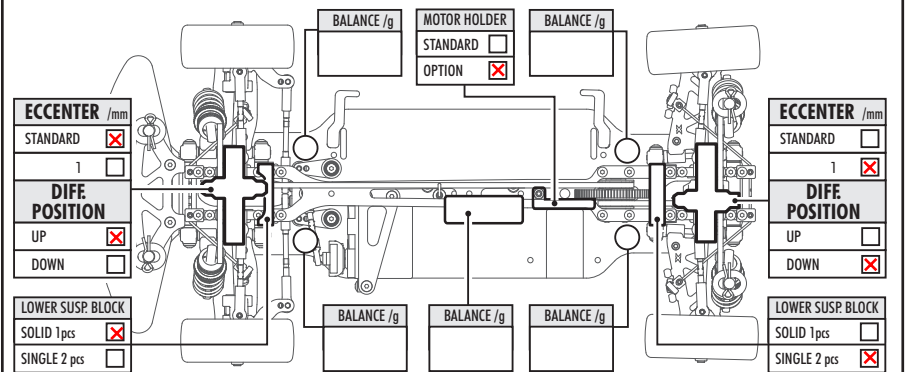
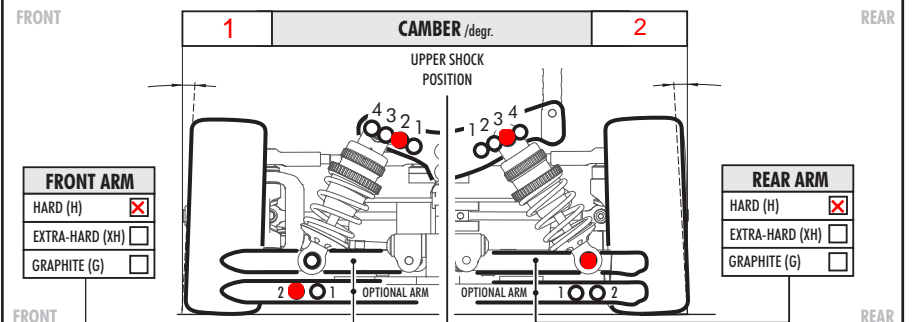
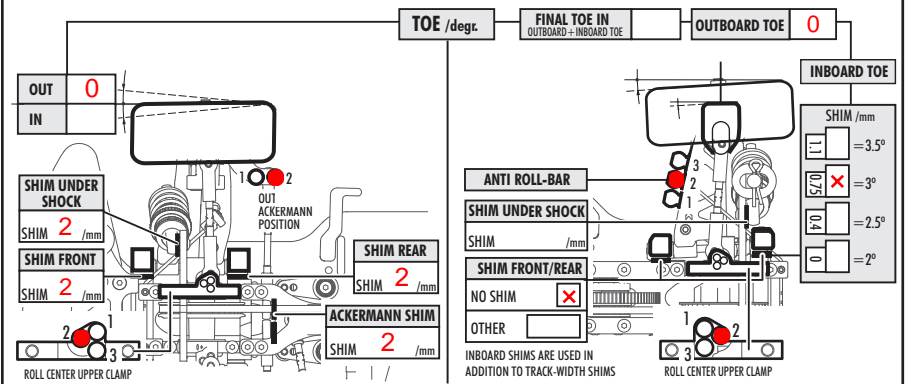
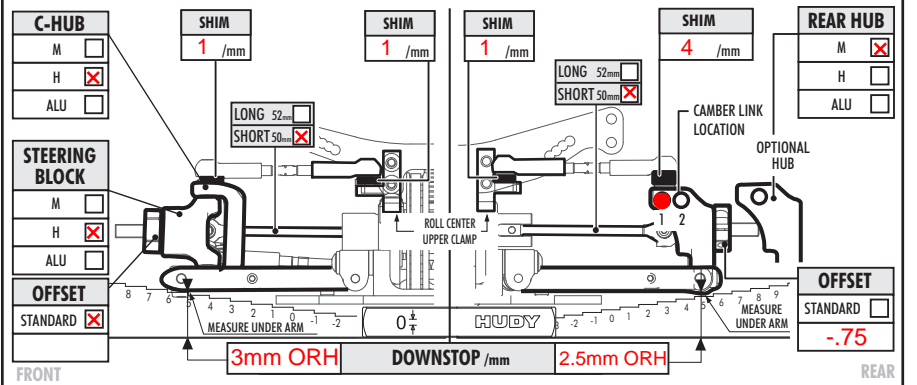
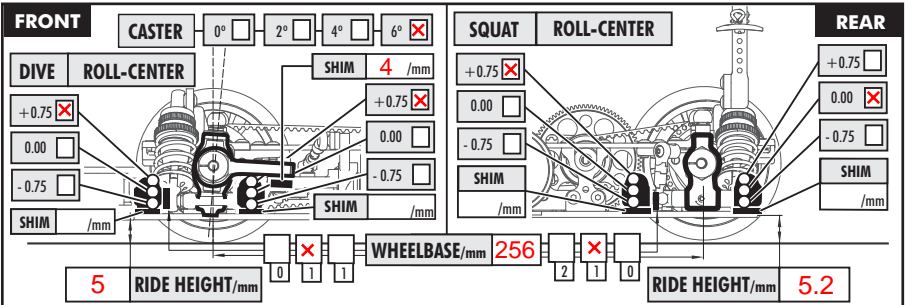
WHEELS		
S <input type="checkbox"/>	M <input type="checkbox"/>	H <input type="checkbox"/>
HARDNESS		
S <input type="checkbox"/>	M <input type="checkbox"/>	H <input type="checkbox"/>

MOTOR	Reedy Sonic 5.0	TIMING	20
ROTOR	std	ARMATURE	

ESC	Orca Vritra VX-1	BATTERIES	Sting 7000mah
-----	------------------	-----------	---------------

BODY	Protoform LTCR LW	WING	Protoform LTCR LW
------	-------------------	------	-------------------

●  - APPLIED S-SOFT M-MEDIUM H-HARD



COMMENTS