

# SET-UP SHEET

# XRAY T4

RACE	Coupe de France		
TRACK	Besancon		
NAME	Rémi Callens		
CITY / COUNTRY			
CONTACT	remi.callens@sfr.fr		

DATE	24/08/2013	TEMPERATURE / °F or °C	AIR	20°C	TRACK	°C
------	------------	------------------------	-----	------	-------	----

QUALIFYING POSITION	BEST LAPTIME /sec	FINAL POSITION	RACE LENGTH /minutes
6		5	

TRACK CONDITION	<input type="checkbox"/> CARPET	<input checked="" type="checkbox"/> ASPHALT
<input type="checkbox"/> TECHNICAL	<input type="checkbox"/> MIXED	<input checked="" type="checkbox"/> FAST

TRACTION	<input type="checkbox"/> LOW	<input checked="" type="checkbox"/> MEDIUM	<input type="checkbox"/> HIGH
----------	------------------------------	--	-------------------------------

FRONT	REAR
TRANSMISSION	

SOLID AXLE	<input checked="" type="checkbox"/> YES	BALL DIFFERENTIAL	<input type="checkbox"/> YES
SOLID ONE WAY DIFF.	<input type="checkbox"/> YES		
ONE WAY DIFFERENTIAL	<input type="checkbox"/> YES		

GEAR DIFFERENTIAL	<input type="checkbox"/> YES	GEAR DIFFERENTIAL	<input checked="" type="checkbox"/> YES
OIL		OIL	3000 /Cst

PINION / T	20	SPUR GEAR / T	84
FINAL DRIVE RATIO	7.98	PITCH	48.00

FRONT	XRAY SPRINGS	REAR
2.7		2.5
450 Xray	OIL / CST	450 Xray
	LENGTH /mm	
	PRELOAD /mm	
25	REBOUND %	25

<input checked="" type="checkbox"/> YES <input type="checkbox"/> NO	FOAM INSERTS	<input checked="" type="checkbox"/> YES <input type="checkbox"/> NO
<input checked="" type="checkbox"/> YES <input type="checkbox"/> NO	O-RING ON SHAFT	<input checked="" type="checkbox"/> YES <input type="checkbox"/> NO

<input type="checkbox"/> 3 HOLES	<input checked="" type="checkbox"/> 4 HOLES	PISTONS	1.0mm	<input type="checkbox"/> 3 HOLES	<input checked="" type="checkbox"/> 4 HOLES
			1.1mm		
			1.2mm		
		OTHERS			

1.4	THICKNESS/mm	ANTI-ROLL BAR	THICKNESS/mm	1.2
-----	--------------	---------------	--------------	-----

Ride 36	TIRES	Ride 36
	INSERTS	
MR33 + MG	ADDITIVE	MR33 + MG
30	ADDITIVE TIMING	30



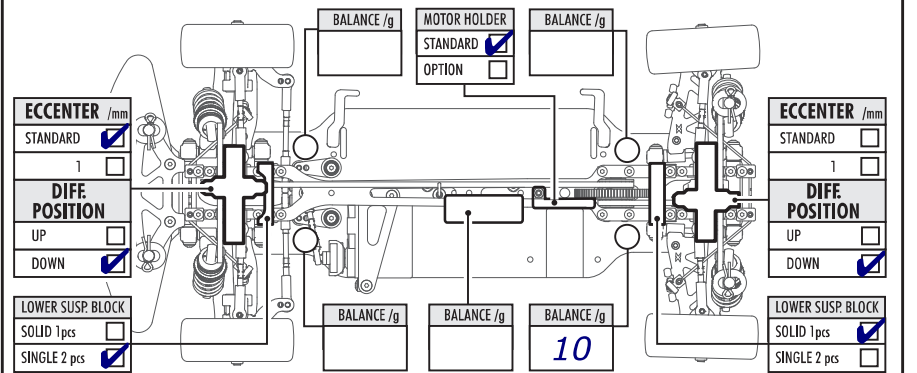
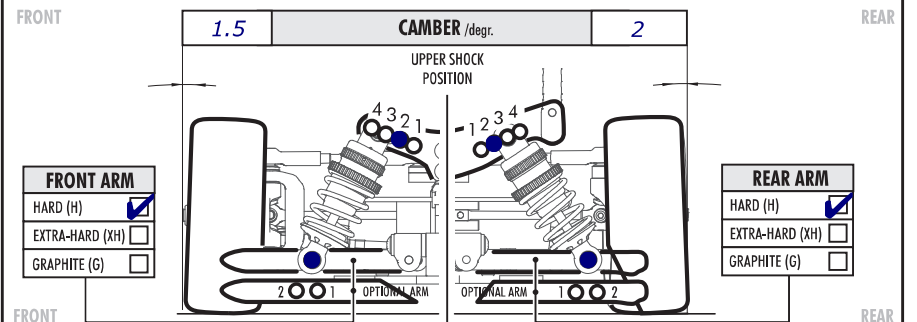
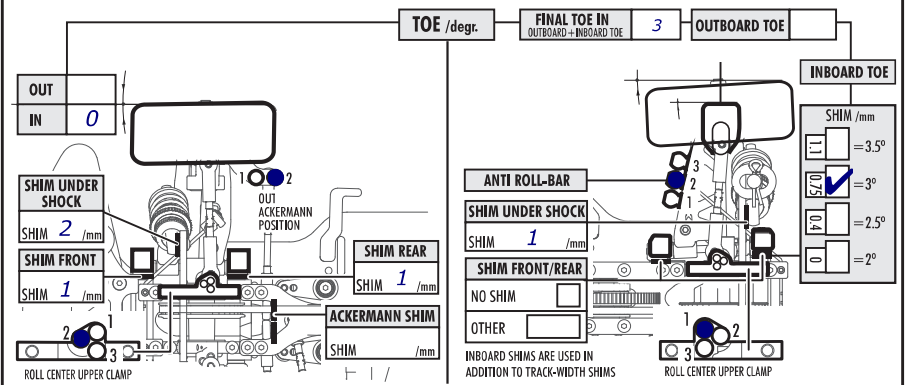
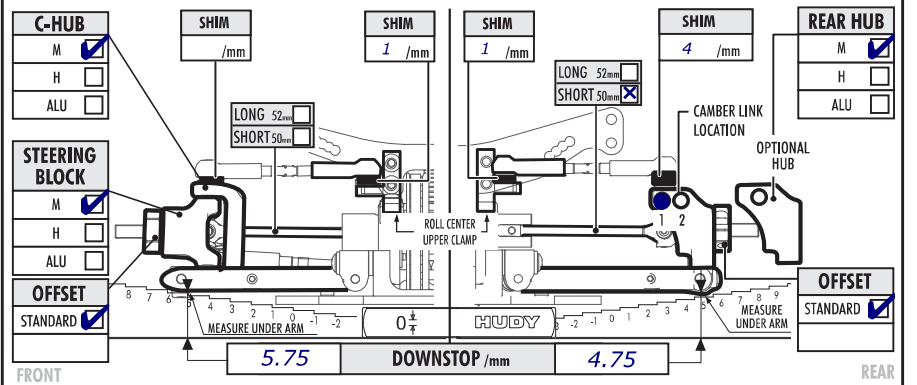
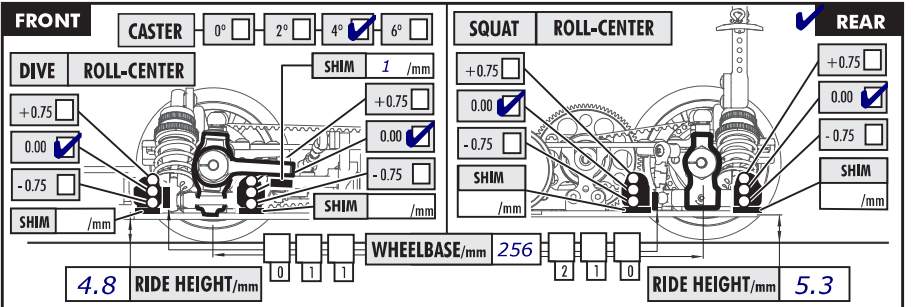
WHEELS	
S <input type="checkbox"/>	M <input type="checkbox"/>
H <input type="checkbox"/>	
HARDNESS	S <input type="checkbox"/>
	M <input type="checkbox"/>
	H <input type="checkbox"/>

MOTOR	SP 4.5 MMM	TIMING	
ROTOR		ARMATURE	

ESC	Reventon Pro	BATTERIES	IP 6800 70C
-----	--------------	-----------	-------------

BODY	LTCR	WING	
------	------	------	--

●  - APPLIED S-SOFT M-MEDIUM H-HARD



COMMENTS

Alterations by Arn0 at PetitRC.com

Cardans avants double articulation.