

SET-UP SHEET

XRAY T4

RACE	German Championship 2013		
TRACK	Megadrom Geilenkirchen		
NAME	Marco Kaufmann		
CITY / COUNTRY	Germany	Germany	
CONTACT			

DATE	19/03/2013	TEMPERATURE / °F or °C	AIR	20	TRACK
------	------------	------------------------	-----	----	-------

QUALIFYING POSITION	BEST LAP TIME / sec	FINAL POSITION	RACE LENGTH / minutes
3	15.923	2	5

TRACK CONDITION	<input checked="" type="checkbox"/> CARPET	<input type="checkbox"/> ASPHALT	
	<input checked="" type="checkbox"/> TECHNICAL	<input type="checkbox"/> FAST	
TRACTION	<input type="checkbox"/> LOW	<input checked="" type="checkbox"/> MEDIUM	<input type="checkbox"/> HIGH

FRONT	REAR
TRANSMISSION	

SOLID AXLE	<input checked="" type="checkbox"/> YES	BALL DIFFERENTIAL	<input type="checkbox"/> YES
SOLID ONE WAY DIFF.	<input type="checkbox"/> YES		
ONE WAY DIFFERENTIAL	<input type="checkbox"/> YES		
GEAR DIFFERENTIAL	<input type="checkbox"/> YES	GEAR DIFFERENTIAL	<input checked="" type="checkbox"/> YES
OIL		OIL	1000 /cst

PINION / T		SPUR GEAR / T	
FINAL DRIVE RATIO		ROLLOUT	

FRONT	XRAY SPRINGS	REAR
2.7		2.7
350	OIL / CST	350
	LENGTH / mm	
0	PRELOAD / mm	
	REBOUND %	0

<input type="checkbox"/> YES	<input type="checkbox"/> NO	FOAM INSERTS	<input type="checkbox"/> YES	<input type="checkbox"/> NO
<input type="checkbox"/> YES	<input type="checkbox"/> NO	O-RING ON SHAFT	<input type="checkbox"/> YES	<input type="checkbox"/> NO

<input type="checkbox"/> 3 HOLES	<input type="checkbox"/> 1.0mm	<input type="checkbox"/> 3 HOLES
<input checked="" type="checkbox"/> 4 HOLES	<input checked="" type="checkbox"/> 1.1mm	<input checked="" type="checkbox"/> 4 HOLES
	<input checked="" type="checkbox"/> 1.2mm	
OTHERS		

1.4	THICKNESS/mm	ANTI-ROLL BAR	THICKNESS/mm	1.2
-----	--------------	---------------	--------------	-----

LRP CPX	TIRES	LRP CPX
	INSERTS	
CS High Grip	ADDITIVE	CS High Grip
	ADDITIVE TIMING	



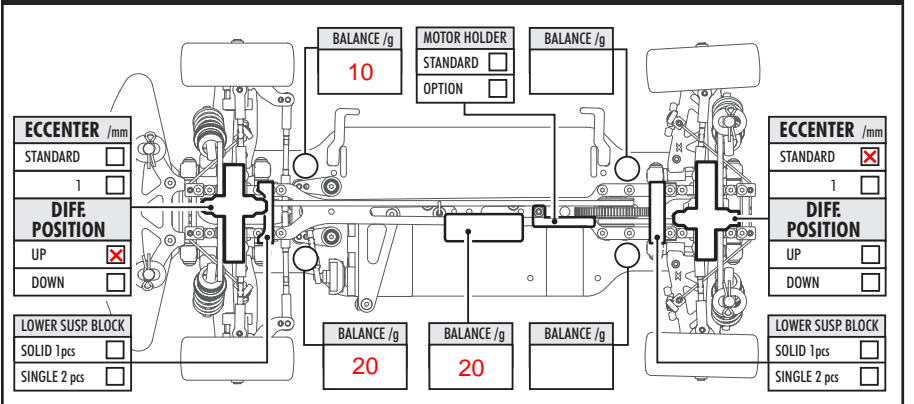
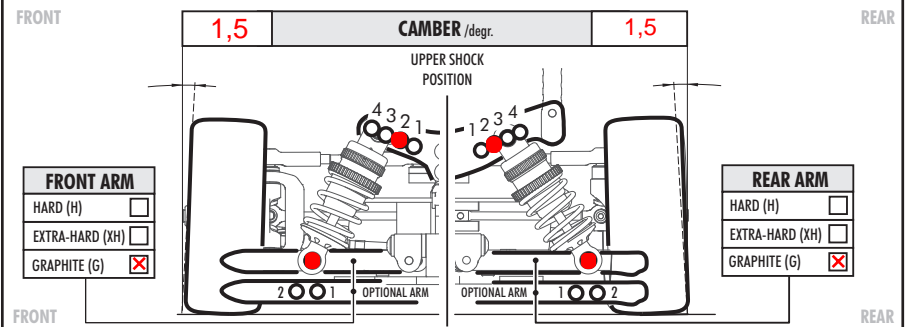
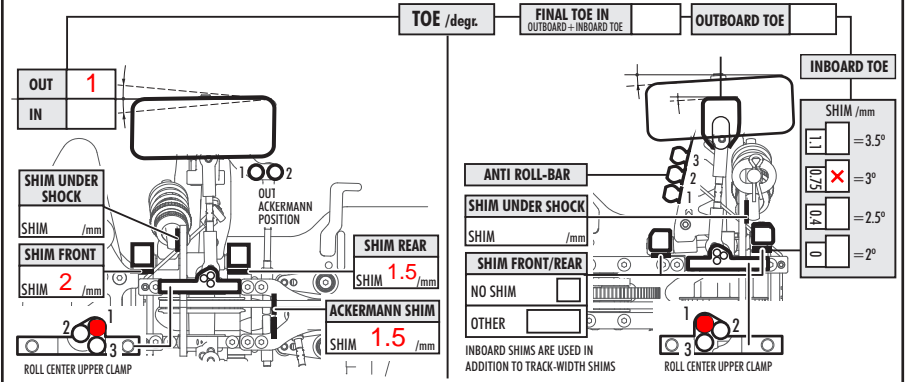
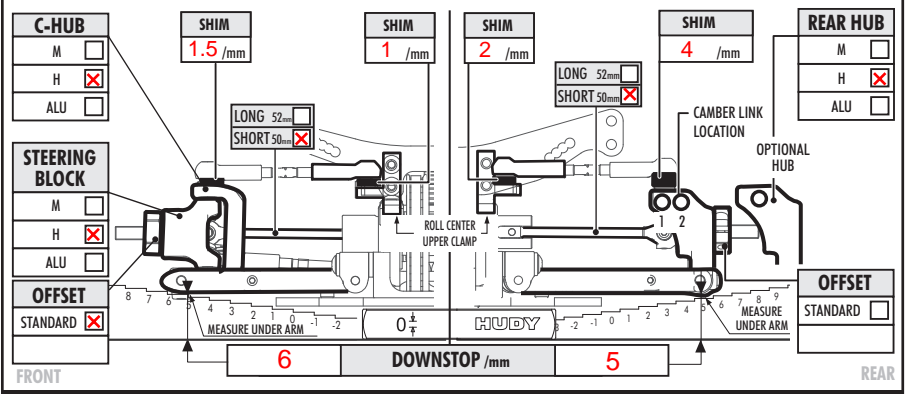
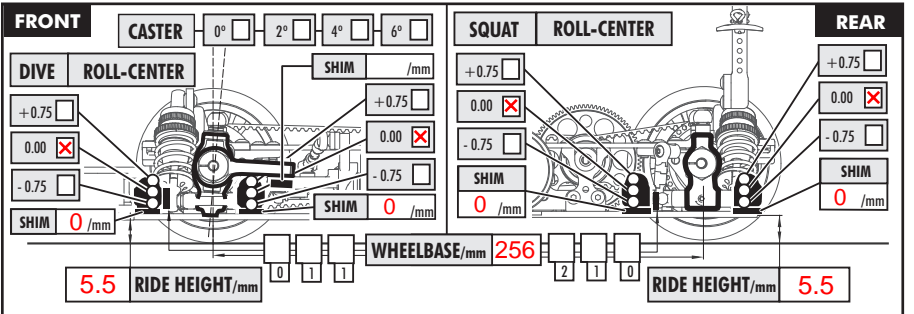
WHEELS	
S <input type="checkbox"/>	M <input type="checkbox"/> H <input type="checkbox"/>
HARDNESS	
S <input type="checkbox"/>	M <input type="checkbox"/> H <input type="checkbox"/>

MOTOR	Orca 4,5T	TIMING	
ROTOR		ARMATURE	

ESC		BATTERIES	Orca
-----	--	-----------	------

BODY	Mazda6	WING	MR33
------	--------	------	------

● - APPLIED S-SOFT M-MEDIUM H-HARD



COMMENTS