

SET-UP SHEET

XRAY T4

RACE	GP3F		
TRACK	MRC Longwy		
NAME	Wagner Manuel		
CITY / COUNTRY	France		
CONTACT	wagner.manuel@wanadoo.fr		

DATE	16/12/12	TEMPERATURE / °F or °C	AIR	TRACK
QUALIFYING POSITION	3	BEST LAPTIME /sec	FINAL POSITION	2
			RACE LENGTH /minutes	5

TRACK CONDITION	<input checked="" type="checkbox"/> CARPET	<input type="checkbox"/> ASPHALT
	<input type="checkbox"/> TECHNICAL	<input type="checkbox"/> FAST
TRACTION	<input type="checkbox"/> LOW	<input type="checkbox"/> MEDIUM
		<input checked="" type="checkbox"/> HIGH

FRONT		REAR	
TRANSMISSION			
SOLID AXLE	<input type="checkbox"/> YES	BALL DIFFERENTIAL	<input type="checkbox"/> YES
SOLID ONE WAY DIFF.	<input type="checkbox"/> YES		
ONE WAY DIFFERENTIAL	<input type="checkbox"/> YES		
GEAR DIFFERENTIAL	<input type="checkbox"/> YES	GEAR DIFFERENTIAL	<input checked="" type="checkbox"/> YES
OIL	putty	OIL	2000 /cst
PINION / T	31	SPUR GEAR / T	84
FINAL DRIVE RATIO	5.15	ROLLOUT	0.00

FRONT		REAR	
2.5-2.8	XRAY SPRINGS	2.5-2.8	
350	OIL / CST	350	
	LENGTH /mm		
	PRELOAD /mm		
	REBOUND %		

<input type="checkbox"/> YES	<input checked="" type="checkbox"/> NO	FOAM INSERTS	<input type="checkbox"/> YES	<input checked="" type="checkbox"/> NO
<input type="checkbox"/> YES	<input checked="" type="checkbox"/> NO	O-RING ON SHAFT	<input type="checkbox"/> YES	<input checked="" type="checkbox"/> NO
<input type="checkbox"/> 3 HOLES	<input checked="" type="checkbox"/> 4 HOLES	PISTONS	<input type="checkbox"/> 3 HOLES	<input checked="" type="checkbox"/> 4 HOLES
		1.0mm		
		1.1mm		
		1.2mm		
		OTHERS		

<input type="checkbox"/> YES	<input checked="" type="checkbox"/> NO	ANTI-ROLL BAR	THICKNESS/mm	1.4
<input type="checkbox"/> YES	<input checked="" type="checkbox"/> NO		THICKNESS/mm	1.4

LRP CPX	TIRES
	INSERTS
AME	ADDITIVE
10min	ADDITIVE TIMING
	20min

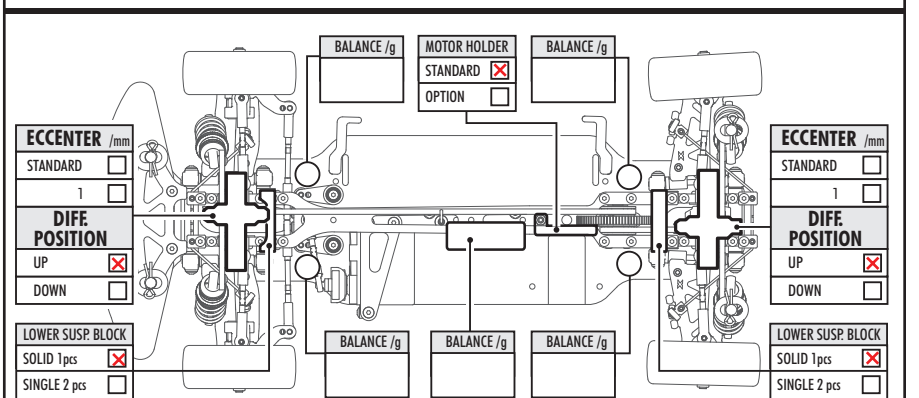
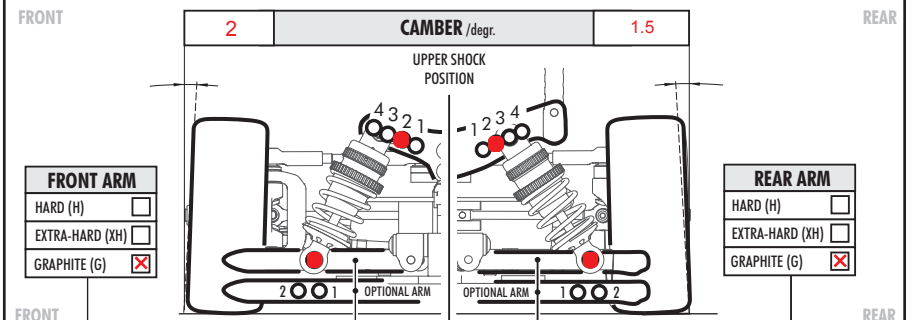
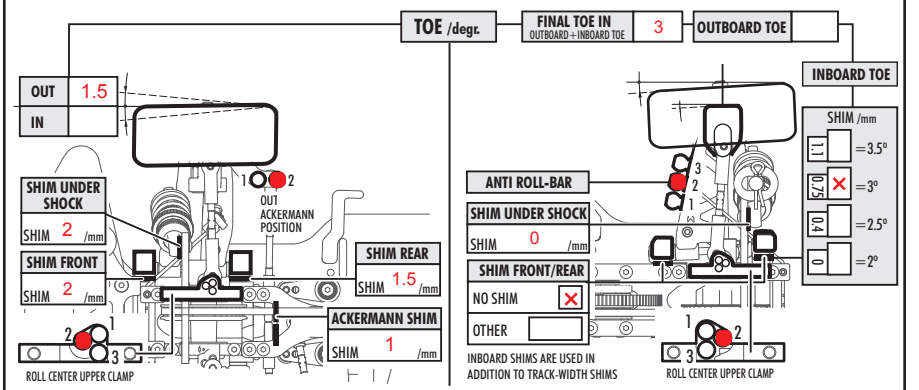
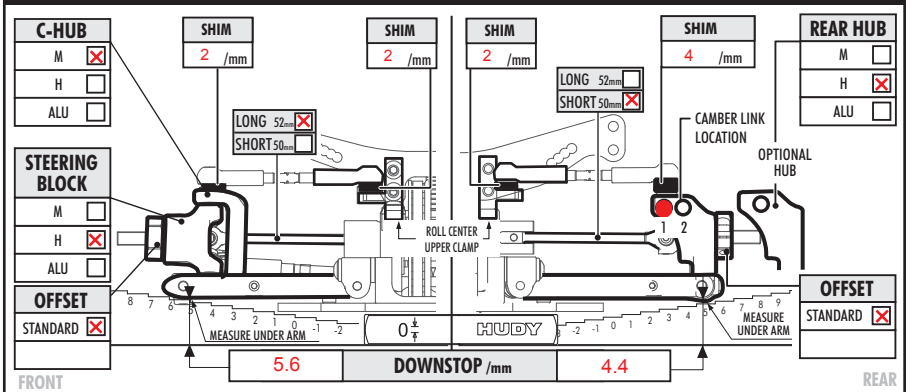
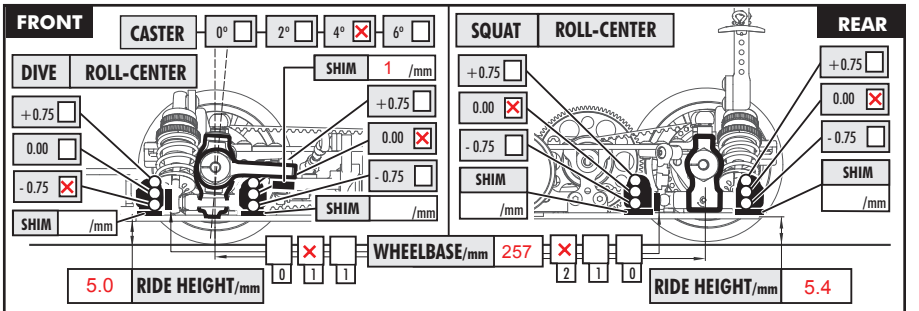
1.4	THICKNESS/mm	ANTI-ROLL BAR	THICKNESS/mm	1.4
-----	--------------	---------------	--------------	-----

FRONT LEFT	FRONT RIGHT	REAR LEFT	REAR RIGHT
TREATED AREA			

WHEELS			
S	M	H	
<input type="checkbox"/>	<input type="checkbox"/>	<input type="checkbox"/>	
HARDNESS			
S	M	H	
<input type="checkbox"/>	<input type="checkbox"/>	<input type="checkbox"/>	

MOTOR	Speed Passion MMM	TIMING	
ROTOR		ARMATURE	10.5t
ESC	Hobbywing V3	BATTERIES	Team Powers
BODY	PF Mazda Speed 6 LW	WING	MR33

● - APPLIED S - SOFT M - MEDIUM H - HARD



COMMENTS

ECS front and rear