

SET-UP SHEET

XRAY T4

RACE	ETS Round 2 2013		
TRACK	Hrotovice		
NAME	Magnus Vassmar		
CITY / COUNTRY	Hrotovice	Czech Republic	
CONTACT			

DATE	22/01/2013	TEMPERATURE / °F or °C	AIR	TRACK
QUALIFYING POSITION	18	BEST LAPTIME /sec	FINAL POSITION	20
			RACE LENGTH /minutes	5

TRACK CONDITION	<input checked="" type="checkbox"/> CARPET	<input type="checkbox"/> ASPHALT
	<input type="checkbox"/> TECHNICAL	<input type="checkbox"/> FAST
TRACTION	<input type="checkbox"/> LOW	<input type="checkbox"/> MEDIUM
	<input checked="" type="checkbox"/> HIGH	

FRONT		REAR	
TRANSMISSION			
SOLID AXLE	<input checked="" type="checkbox"/> YES	BALL DIFFERENTIAL	<input type="checkbox"/> YES
SOLID ONE WAY DIFF.	<input type="checkbox"/> YES		
ONE WAY DIFFERENTIAL	<input type="checkbox"/> YES		
GEAR DIFFERENTIAL	<input type="checkbox"/> YES	GEAR DIFFERENTIAL	<input checked="" type="checkbox"/> YES
OIL		OIL	3000 /cst
PINION / T	24	SPUR GEAR / T	112
FINAL DRIVE RATIO	4.6666666666667	ROLLOUT	NaN

FRONT		REAR	
	2.5	XRAY SPRINGS	2.5
	350	OIL / CST	350
		LENGTH /mm	
		PRELOAD /mm	
	50	REBOUND %	25

<input type="checkbox"/> YES	<input checked="" type="checkbox"/> NO	FOAM INSERTS	<input type="checkbox"/> YES	<input checked="" type="checkbox"/> NO
<input type="checkbox"/> YES	<input checked="" type="checkbox"/> NO	O-RING ON SHAFT	<input type="checkbox"/> YES	<input checked="" type="checkbox"/> NO
<input type="checkbox"/> 3 HOLES	<input checked="" type="checkbox"/> 4 HOLES	PISTONS	<input type="checkbox"/> 3 HOLES	<input checked="" type="checkbox"/> 4 HOLES
		1.0mm		
		1.1mm		
		1.2mm		
		OTHERS		

<input type="checkbox"/> YES	<input checked="" type="checkbox"/> NO	ANTI-ROLL BAR THICKNESS/mm	1.4	1.3
<input type="checkbox"/> YES	<input checked="" type="checkbox"/> NO			

<input type="checkbox"/> 3 HOLES	<input checked="" type="checkbox"/> 4 HOLES	<input type="checkbox"/> 3 HOLES	<input checked="" type="checkbox"/> 4 HOLES

1.4	THICKNESS/mm	ANTI-ROLL BAR	THICKNESS/mm	1.3
-----	--------------	---------------	--------------	-----

RIDE 32	TIRES	RIDE 32
AME MBT	INSERTS	AME MBT
15	ADDITIVE	15
	ADDITIVE TIMING	



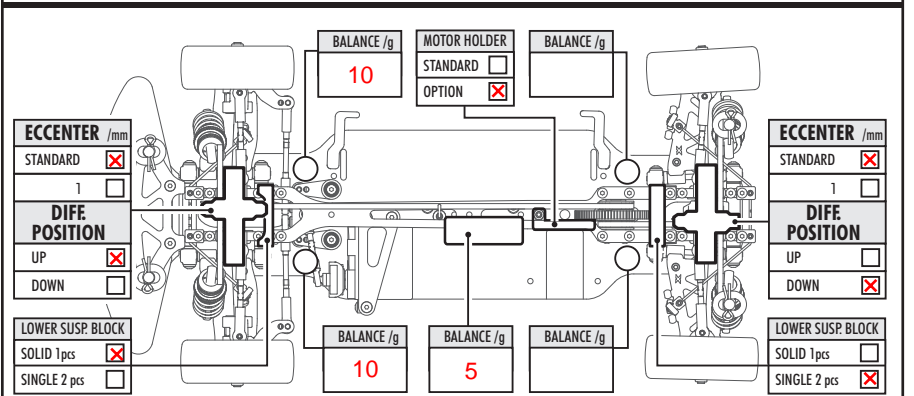
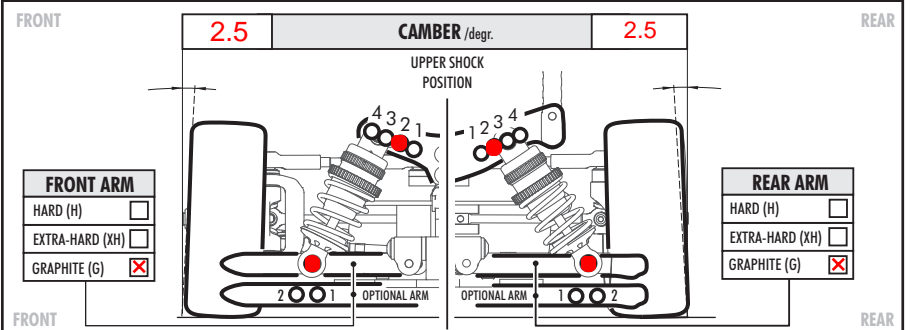
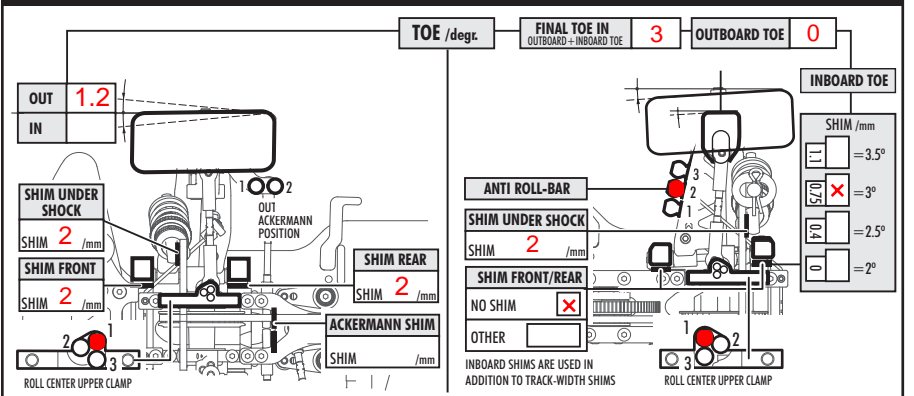
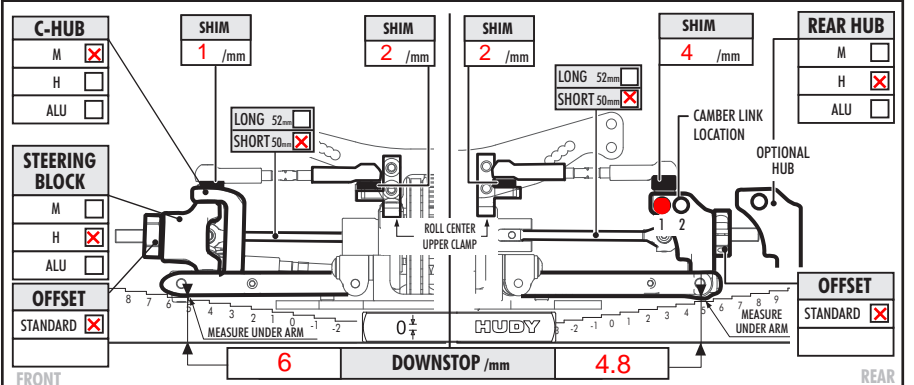
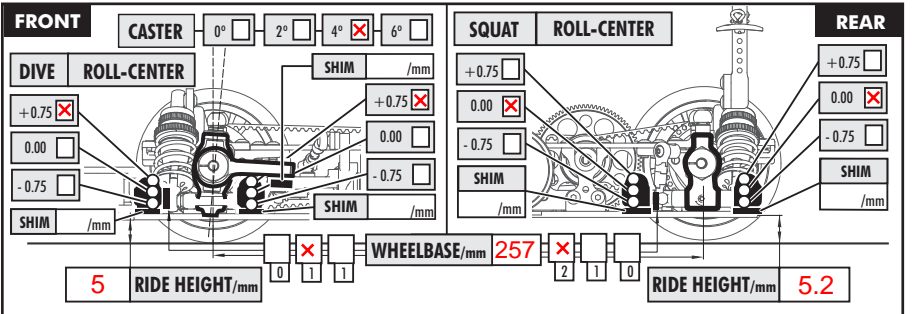
WHEELS			
S	M	H	HARDNESS
<input type="checkbox"/>	<input type="checkbox"/>	<input type="checkbox"/>	
S	M	H	<input type="checkbox"/>

MOTOR	Thunder Power	TIMING	
ROTOR		ARMATURE	

ESC	HobbyWing V3	BATTERIES	Thunder Power
-----	--------------	-----------	---------------

BODY	PF Spd 6 LW	WING	MR33
------	-------------	------	------

● - APPLIED S-SOFT M-MEDIUM H-HARD



COMMENTS
ECS 50mm front
HUDY Alu 1/8 servohorn