

# SET-UP SHEET

# XRAY T4

RACE	C.I. AMSCI		
TRACK	RCLandia		
NAME	Francesco Martini		
CITY / COUNTRY	Scandiano	Italy	
CONTACT	Montecchi		

DATE	11/11/2012	TEMPERATURE / °F or °C	AIR	12	TRACK
------	------------	------------------------	-----	----	-------

QUALIFYING POSITION	BEST LAPTIME /sec	FINAL POSITION	RACE LENGTH /minutes
3	12.6	2	5

TRACK CONDITION	<input checked="" type="checkbox"/> CARPET	<input type="checkbox"/> ASPHALT	
<input type="checkbox"/> TECHNICAL	<input checked="" type="checkbox"/> MIXED	<input type="checkbox"/> FAST	
TRACTION	<input type="checkbox"/> LOW	<input checked="" type="checkbox"/> MEDIUM	<input type="checkbox"/> HIGH

FRONT	REAR
TRANSMISSION	

SOLID AXLE	<input checked="" type="checkbox"/> YES	BALL DIFFERENTIAL	<input type="checkbox"/> YES
SOLID ONE WAY DIFF.	<input type="checkbox"/> YES		
ONE WAY DIFFERENTIAL	<input type="checkbox"/> YES		

GEAR DIFFERENTIAL	<input type="checkbox"/> YES	GEAR DIFFERENTIAL	<input checked="" type="checkbox"/> YES
OIL		OIL	3000 /cst

PINION / T	24	SPUR GEAR / T	114
FINAL DRIVE RATIO	4.75	ROLLOUT	NaN

FRONT	REAR
-------	------

Prog H	XRAY SPRINGS	Prog H
450 Cst	OIL / CST	500 Cst
	LENGTH /mm	
	PRELOAD /mm	
25	REBOUND %	25

<input type="checkbox"/> YES	<input checked="" type="checkbox"/> NO	FOAM INSERTS	<input type="checkbox"/> YES	<input checked="" type="checkbox"/> NO
<input type="checkbox"/> YES	<input type="checkbox"/> NO	O-RING ON SHAFT	<input type="checkbox"/> YES	<input type="checkbox"/> NO

<input type="checkbox"/> 3 HOLES	<input checked="" type="checkbox"/> 4 HOLES	PISTONS	<input type="checkbox"/> 3 HOLES	<input checked="" type="checkbox"/> 4 HOLES
		1.0mm		
		1.1mm		
		1.2mm		
		OTHERS		

1.4	THICKNESS/mm	ANTI-ROLL BAR	THICKNESS/mm	1.3
-----	--------------	---------------	--------------	-----

Sweep 32	TIRES	
	INSERTS	
LRP	ADDITIVE	LRP
5 min	ADDITIVE TIMING	5 min



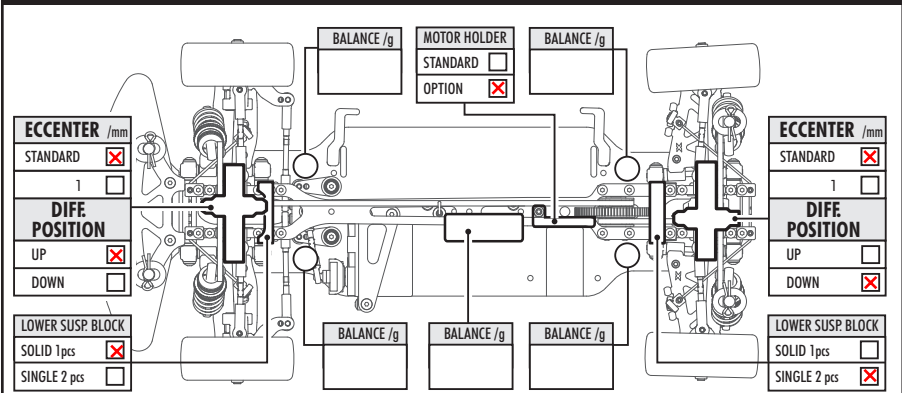
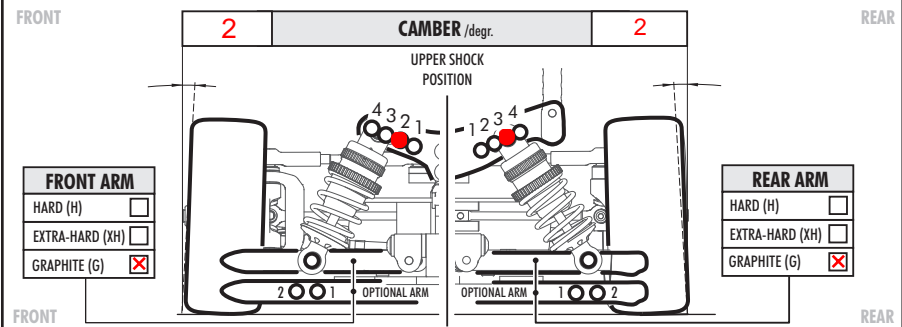
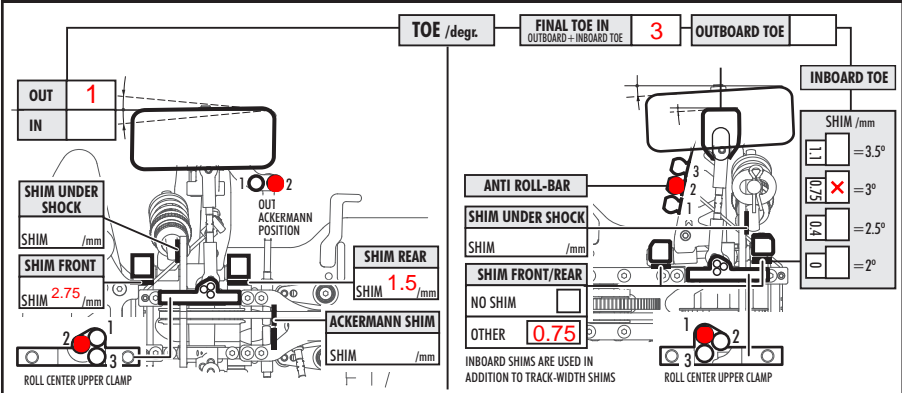
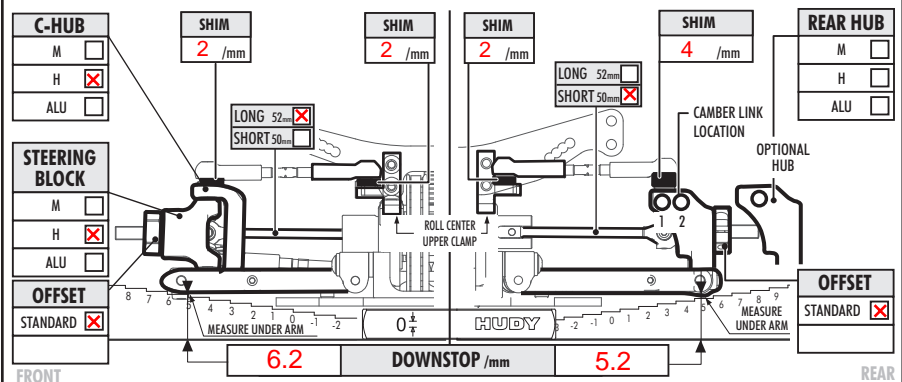
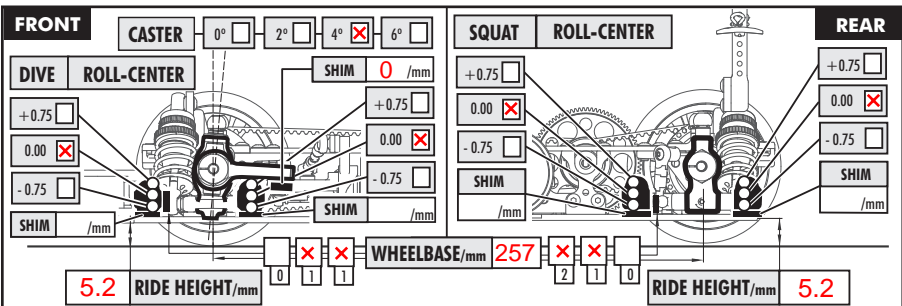
WHEELS			
S	M	H	HARDNESS
<input type="checkbox"/>	<input type="checkbox"/>	<input type="checkbox"/>	S <input type="checkbox"/> M <input type="checkbox"/> H <input type="checkbox"/>

MOTOR	Lipotech XR	TIMING	10
ROTOR	STD	ARMATURE	4.5

ESC	Hobbywing V3	BATTERIES	EZ Power
-----	--------------	-----------	----------

BODY	Nazda 2	WING	MR
------	---------	------	----

●  - APPLIED S-SOFT M-MEDIUM H-HARD



COMMENTS