

SET-UP SHEET

XRAY T4

RACE	2013 ROAR Carpet Nationals 17.5 Sedan		
TRACK	Horsham		
NAME	Art Scrimo		
CITY / COUNTRY	Horsham, PA	USA	
CONTACT			

DATE	19/03/2013	TEMPERATURE / °F or °C	AIR	75	TRACK
------	------------	------------------------	-----	----	-------

QUALIFYING POSITION	BEST LAPTIME /sec	FINAL POSITION	RACE LENGTH /minutes
3	10.7	2	6

TRACK CONDITION	<input checked="" type="checkbox"/> CARPET	<input type="checkbox"/> ASPHALT	
	<input type="checkbox"/> TECHNICAL	<input checked="" type="checkbox"/> FAST	
TRACTION	<input type="checkbox"/> LOW	<input checked="" type="checkbox"/> MEDIUM	<input type="checkbox"/> HIGH

FRONT	REAR
TRANSMISSION	

SOLID AXLE	<input type="checkbox"/> YES	BALL DIFFERENTIAL	<input type="checkbox"/> YES
SOLID ONE WAY DIFF.	<input type="checkbox"/> YES		
ONE WAY DIFFERENTIAL	<input type="checkbox"/> YES		

GEAR DIFFERENTIAL	<input type="checkbox"/> YES	GEAR DIFFERENTIAL	<input checked="" type="checkbox"/> YES
OIL	2.5 Million	OIL	1000 /cst

PINION / T	52	SPUR GEAR / T	100
FINAL DRIVE RATIO	1.9230769230769	ROLLOUT	NaN

FRONT	REAR	
2.5	XRAY SPRINGS	2.5
400	OIL / CST	350
	LENGTH /mm	
	PRELOAD /mm	
0	REBOUND %	0

<input type="checkbox"/> YES	<input type="checkbox"/> NO	FOAM INSERTS	<input type="checkbox"/> YES	<input type="checkbox"/> NO
<input type="checkbox"/> YES	<input type="checkbox"/> NO	O-RING ON SHAFT	<input type="checkbox"/> YES	<input type="checkbox"/> NO

<input type="checkbox"/> 3 HOLES	<input checked="" type="checkbox"/> 4 HOLES	PISTONS	1.0mm	<input type="checkbox"/> 3 HOLES	<input type="checkbox"/> 4 HOLES
			1.1mm	<input checked="" type="checkbox"/> 3 HOLES	<input checked="" type="checkbox"/> 4 HOLES
			1.2mm	<input type="checkbox"/> 3 HOLES	<input checked="" type="checkbox"/> 4 HOLES
		OTHERS			

1.4	THICKNESS/mm	ANTI-ROLL BAR	THICKNESS/mm	1.2
-----	--------------	---------------	--------------	-----

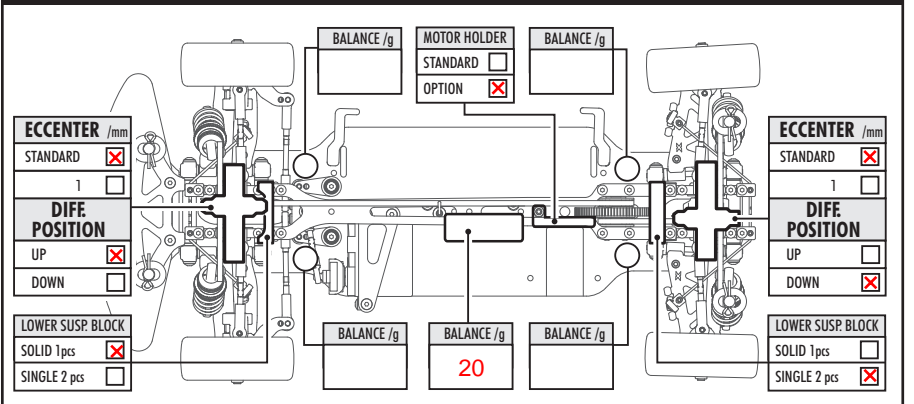
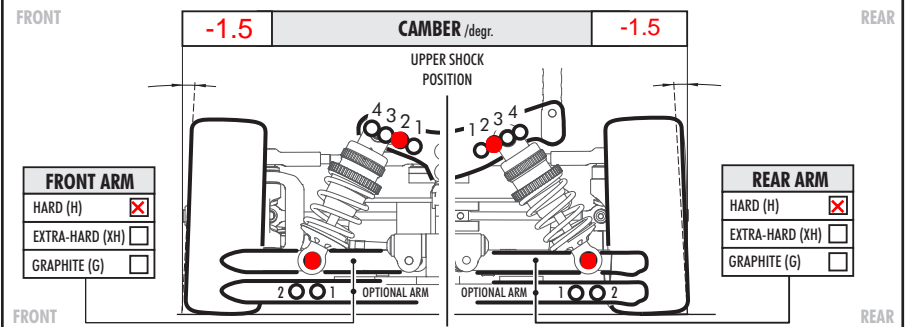
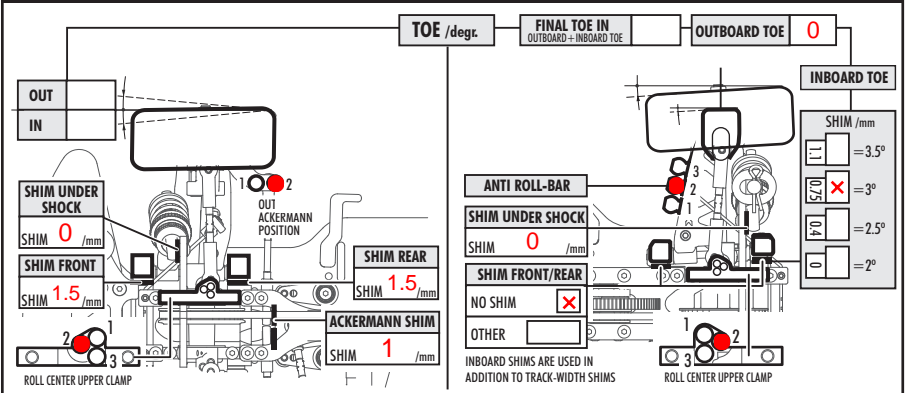
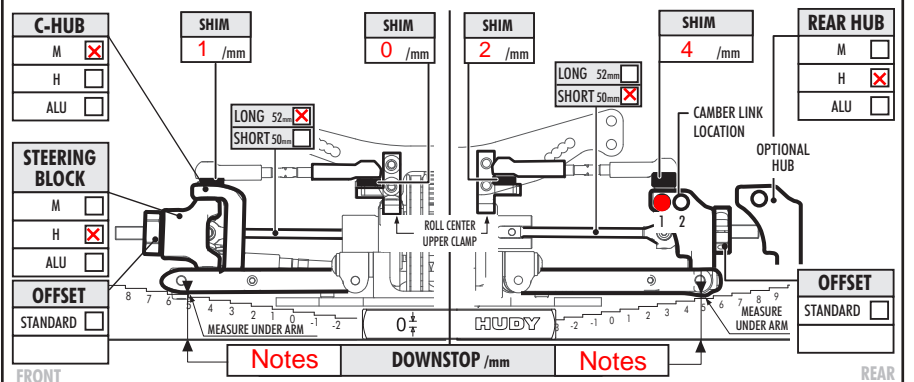
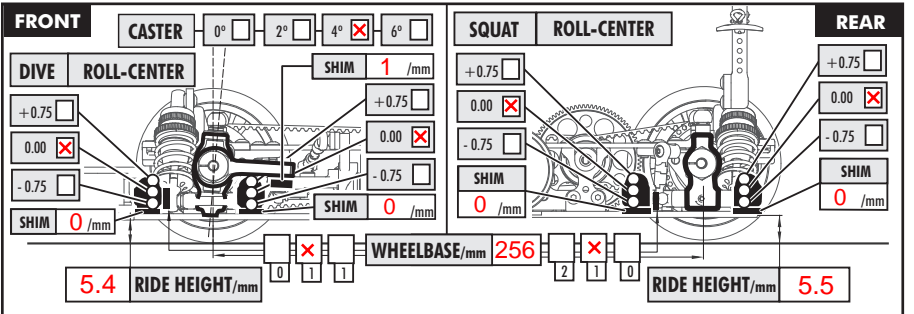
Solaris Med	TIRES	Solaris Med
	INSERTS	
SXT	ADDITIVE	SXT
15	ADDITIVE TIMING	15



WHEELS							
S	<input type="checkbox"/>	M	<input type="checkbox"/>	H	<input type="checkbox"/>		
HARDNESS		S	<input type="checkbox"/>	M	<input type="checkbox"/>	H	<input type="checkbox"/>

MOTOR	Trinity RevTech	TIMING	full
ROTOR	HT	ARMATURE	
ESC	Speed Passion	BATTERIES	SMC 7200
BODY	Speed6	WING	Std

● - APPLIED S-SOFT M-MEDIUM H-HARD



COMMENTS
 ECS in front
 Up travel was 2mm over ride height both front and rear.
 Car was very easy to drive and fast. LTC-R made the car too twitchy so the speed 6 was the right choice for me under the conditions.
 Solaris tires were best on run three.