

SET-UP SHEET

XRAY T4

RACE	2013 ROAR Carpet Nationals 13.5 Sedan		
TRACK	Horsham		
NAME	Art Scrimo		
CITY / COUNTRY	Horsham, PA	USA	
CONTACT			

DATE	19/03/2013	TEMPERATURE / °F or °C	AIR	75	TRACK
QUALIFYING POSITION	4	BEST LAPTIME /sec	10.6	FINAL POSITION	6
				RACE LENGTH /minutes	6

TRACK CONDITION	<input checked="" type="checkbox"/> CARPET	<input type="checkbox"/> ASPHALT
	<input type="checkbox"/> TECHNICAL	<input checked="" type="checkbox"/> FAST
TRACTION	<input type="checkbox"/> LOW	<input checked="" type="checkbox"/> MEDIUM
	<input type="checkbox"/> MIXED	<input type="checkbox"/> HIGH

FRONT		REAR	
TRANSMISSION			
SOLID AXLE	<input type="checkbox"/> YES	BALL DIFFERENTIAL	<input type="checkbox"/> YES
SOLID ONE WAY DIFF.	<input type="checkbox"/> YES		
ONE WAY DIFFERENTIAL	<input type="checkbox"/> YES		
GEAR DIFFERENTIAL	<input checked="" type="checkbox"/> YES	GEAR DIFFERENTIAL	<input type="checkbox"/> YES
OIL	2.5 Million	OIL	1000 /cst
PINION / T	44	SPUR GEAR / T	100
FINAL DRIVE RATIO	2.272272727273	ROLLOUT	NaN

FRONT		REAR	
2.5	XRAY SPRINGS	2.5	
400	OIL / CST	350	
	LENGTH /mm		
	PRELOAD /mm		
0	REBOUND %	0	

<input type="checkbox"/> YES	<input checked="" type="checkbox"/> NO	FOAM INSERTS	<input type="checkbox"/> YES	<input checked="" type="checkbox"/> NO
<input type="checkbox"/> YES	<input checked="" type="checkbox"/> NO	O-RING ON SHAFT	<input type="checkbox"/> YES	<input checked="" type="checkbox"/> NO

<input type="checkbox"/> 3 HOLES	<input checked="" type="checkbox"/> 4 HOLES	PISTONS	<input type="checkbox"/> 3 HOLES	<input checked="" type="checkbox"/> 4 HOLES
		1.0mm		
		1.1mm		
		1.2mm		
OTHERS				

1.4	THICKNESS/mm	ANTI-ROLL BAR	THICKNESS/mm	1.2
-----	--------------	----------------------	--------------	-----

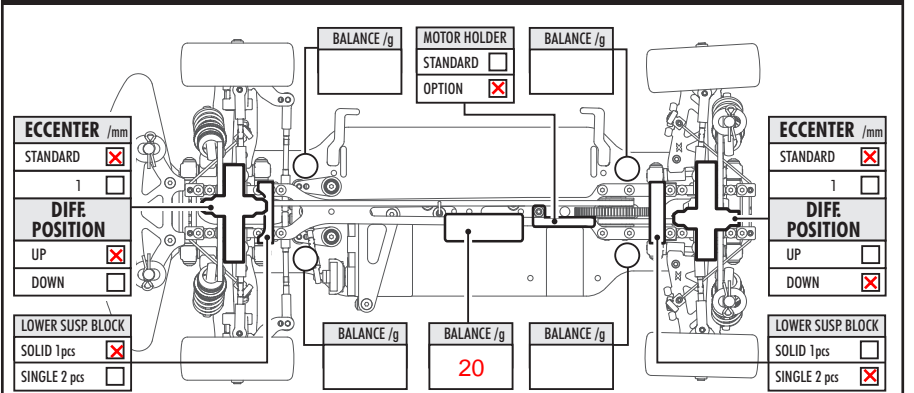
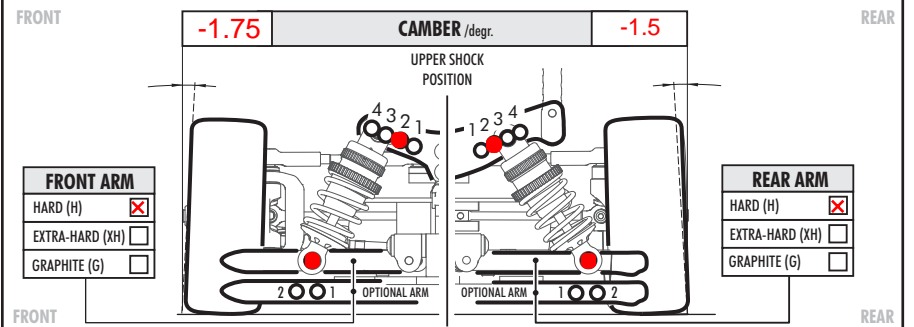
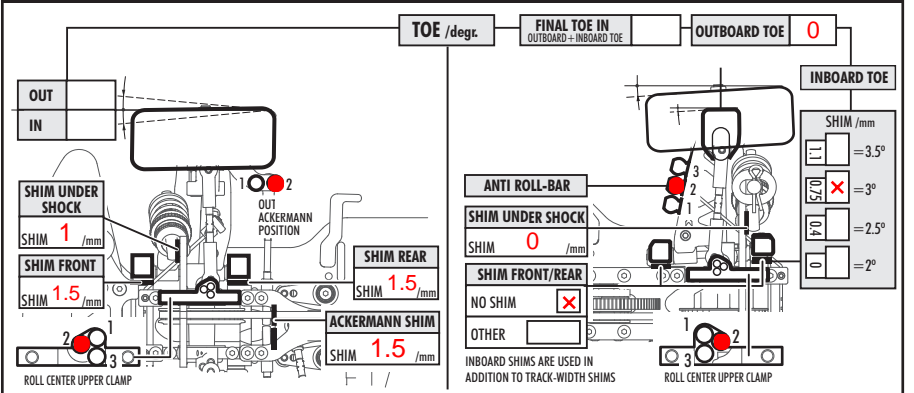
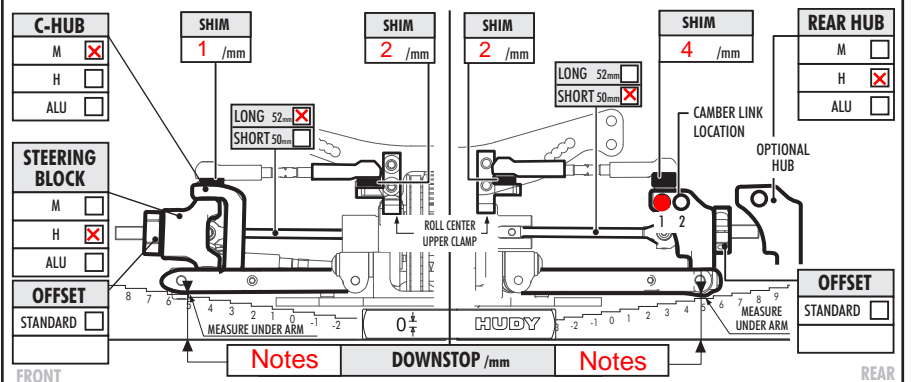
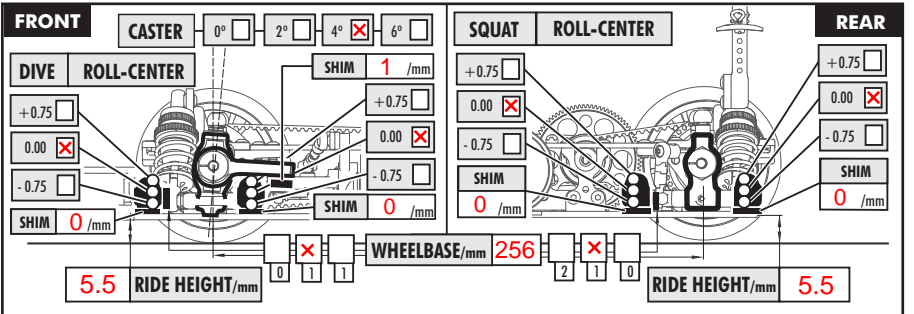
Solaris Med	TIRES	Solaris Med
	INSERTS	
SXT	ADDITIVE	SXT
15	ADDITIVE TIMING	15



WHEELS			
S	M	H	HARDNESS
<input type="checkbox"/>	<input type="checkbox"/>	<input type="checkbox"/>	S
<input type="checkbox"/>	<input type="checkbox"/>	<input type="checkbox"/>	M
<input type="checkbox"/>	<input type="checkbox"/>	<input type="checkbox"/>	H

MOTOR	EAM D3.5	TIMING	26*
ROTOR	Std	ARMATURE	
ESC	Speed Passion	BATTERIES	RevTech 100C
BODY	Speed 6	WING	Std

● - APPLIED S-SOFT M-MEDIUM H-HARD



COMMENTS
ECS up front
 Up travel was 2mm over ride height both front and rear.