

# SET-UP SHEET

# XRAY T4

RACE	ETS Final		
TRACK	HUDY Racing Arena Outdoor		
NAME	Alexander Hagberg		
CITY / COUNTRY	Trencin	Slovakia	
CONTACT	alexander.hagberg@gmail.com		

DATE	22/07/2013	TEMPERATURE / °F or °C	AIR	TRACK
------	------------	------------------------	-----	-------

QUALIFYING POSITION	BEST LAPTIME /sec	FINAL POSITION	RACE LENGTH /minutes
5	18.2	6	5

TRACK CONDITION	<input type="checkbox"/> CARPET	<input checked="" type="checkbox"/> ASPHALT	
<input type="checkbox"/> TECHNICAL	<input checked="" type="checkbox"/> MIXED	<input type="checkbox"/> FAST	
TRACTION	<input type="checkbox"/> LOW	<input checked="" type="checkbox"/> MEDIUM	<input type="checkbox"/> HIGH

FRONT	REAR
TRANSMISSION	

SOLID AXLE	<input type="checkbox"/> YES	BALL DIFFERENTIAL	<input type="checkbox"/> YES
SOLID ONE WAY DIFF.	<input type="checkbox"/> YES		
ONE WAY DIFFERENTIAL	<input type="checkbox"/> YES		

GEAR DIFFERENTIAL	<input type="checkbox"/> YES	GEAR DIFFERENTIAL	<input checked="" type="checkbox"/> YES
OIL	putty	OIL	5000 /cst

PINION / T	28	SPUR GEAR / T	112
FINAL DRIVE RATIO	4	ROLLOUT	NaN

FRONT	REAR	
2.5-2.8	XRAY SPRINGS	2.5-2.8

450	OIL / CST	500
	LENGTH /mm	
	PRELOAD /mm	
0	REBOUND %	0

<input type="checkbox"/> YES	<input checked="" type="checkbox"/> NO	FOAM INSERTS	<input type="checkbox"/> YES	<input checked="" type="checkbox"/> NO
<input type="checkbox"/> YES	<input checked="" type="checkbox"/> NO	O-RING ON SHAFT	<input type="checkbox"/> YES	<input checked="" type="checkbox"/> NO

<input type="checkbox"/> 3 HOLES	<input checked="" type="checkbox"/> 4 HOLES	PISTONS	<input type="checkbox"/> 3 HOLES	<input checked="" type="checkbox"/> 4 HOLES
		1.0mm		
		1.1mm		
		1.2mm		
		OTHERS		

1.4	THICKNESS/mm	ANTI-ROLL BAR	THICKNESS/mm	1.2
-----	--------------	---------------	--------------	-----

Ride Rex 34	TIRES
	INSERTS
AME	ADDITIVE
15	ADDITIVE TIMING

FRONT LEFT	FRONT RIGHT	REAR LEFT	REAR RIGHT
TREATED AREA			

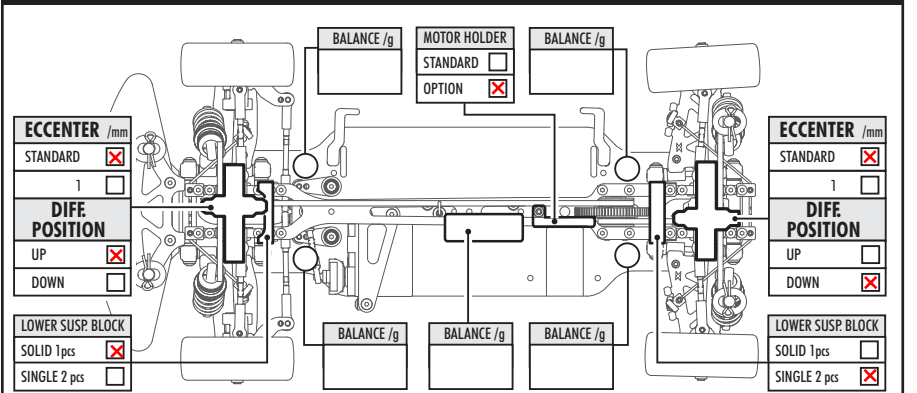
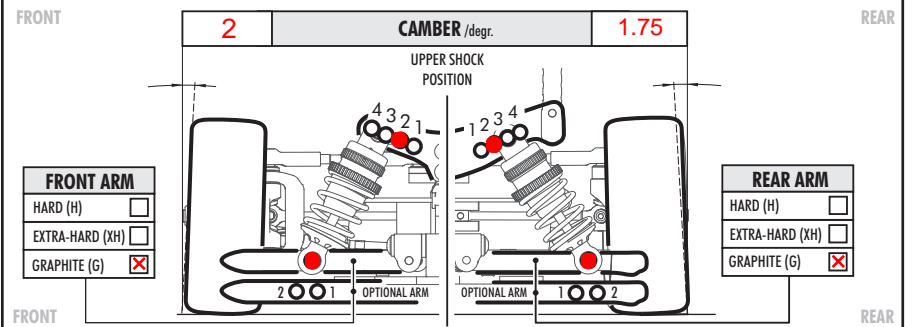
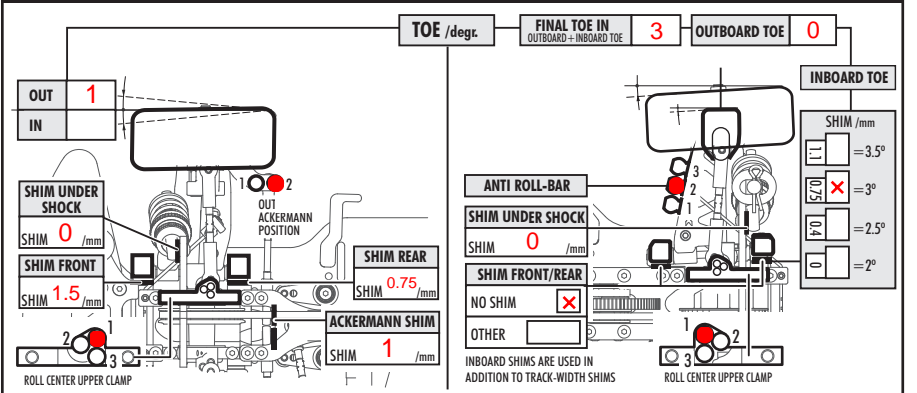
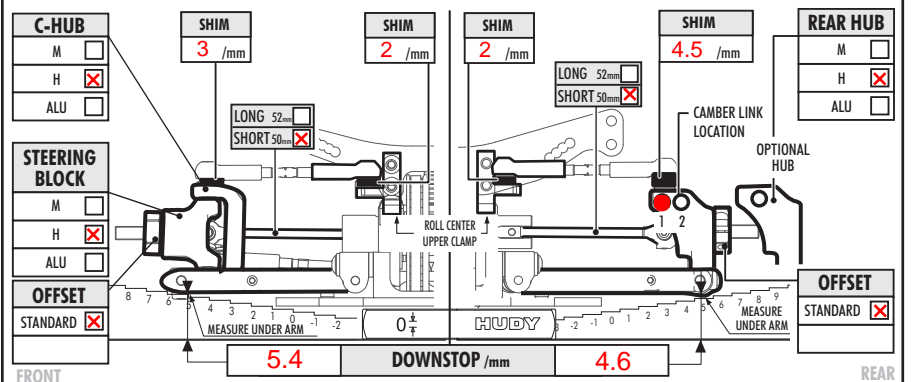
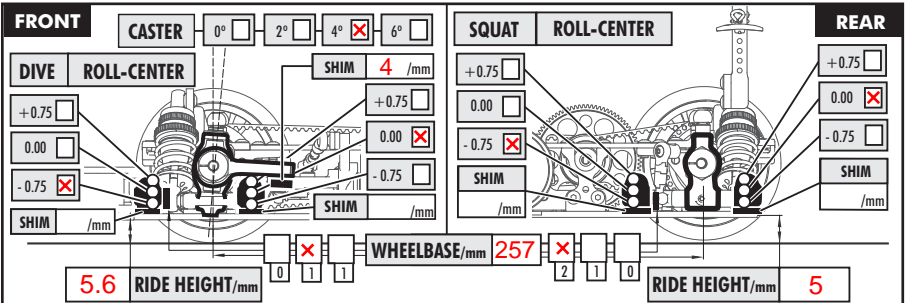
WHEELS						
S	M	H	HARDNESS			
<input type="checkbox"/>	<input type="checkbox"/>	<input type="checkbox"/>	S	M	H	<input type="checkbox"/>

MOTOR	ORCA TX 4.5T	TIMING	10
ROTOR	12.5	ARMATURE	

ESC	ORCA VXX	BATTERIES	ORCA INFINITE 6000 80C
-----	----------	-----------	------------------------

BODY	LTC-R LW	WING	Hard
------	----------	------	------

●  - APPLIED S-SOFT M-MEDIUM H-HARD



COMMENTS

HUDY alu servo horn

ECS front driveshafts