

SET-UP SHEET

XRAY T4

RACE	Charity Race		
TRACK	RC Landia		
NAME	Alexander Hagberg		
CITY / COUNTRY	Scandiano	Italy	
CONTACT	alexander.hagberg@gmail.com		

DATE	12/12/2012	TEMPERATURE / °F or °C	AIR	15	TRACK
------	------------	------------------------	-----	----	-------

QUALIFYING POSITION	BEST LAPTIME /sec	FINAL POSITION	RACE LENGTH /minutes
3	12.4	4	5

TRACK CONDITION	<input checked="" type="checkbox"/> CARPET	<input type="checkbox"/> ASPHALT	
	<input type="checkbox"/> TECHNICAL	<input type="checkbox"/> FAST	
TRACTION	<input type="checkbox"/> LOW	<input checked="" type="checkbox"/> MEDIUM	<input type="checkbox"/> HIGH

FRONT	REAR
TRANSMISSION	

SOLID AXLE	<input checked="" type="checkbox"/> YES	BALL DIFFERENTIAL	<input type="checkbox"/> YES
SOLID ONE WAY DIFF.	<input type="checkbox"/> YES		
ONE WAY DIFFERENTIAL	<input type="checkbox"/> YES		

GEAR DIFFERENTIAL	<input type="checkbox"/> YES	GEAR DIFFERENTIAL	<input checked="" type="checkbox"/> YES
OIL		OIL	2000 /cst

PINION / T	24	SPUR GEAR / T	110
FINAL DRIVE RATIO	4.58333333333333	ROLLOUT	NaN

FRONT	REAR	
2.5-2.8	XRAY SPRINGS	2.5-2.8

350	OIL / CST	400
	LENGTH /mm	

25	PRELOAD /mm	
	REBOUND %	25

<input type="checkbox"/> YES	<input checked="" type="checkbox"/> NO	FOAM INSERTS	<input type="checkbox"/> YES	<input checked="" type="checkbox"/> NO
<input type="checkbox"/> YES	<input checked="" type="checkbox"/> NO	O-RING ON SHAFT	<input type="checkbox"/> YES	<input checked="" type="checkbox"/> NO

<input type="checkbox"/> 3 HOLES	<input checked="" type="checkbox"/> 4 HOLES	PISTONS	<input type="checkbox"/> 3 HOLES	<input checked="" type="checkbox"/> 4 HOLES
		1.0mm		
		1.1mm		
		1.2mm		
		OTHERS		

1.4	THICKNESS/mm	ANTI-ROLL BAR	THICKNESS/mm	1.3
-----	--------------	---------------	--------------	-----

Ride 32 ETS	TIRES	Ride 32 ETS
	INSERTS	
AME	ADDITIVE	AME
5	ADDITIVE TIMING	5



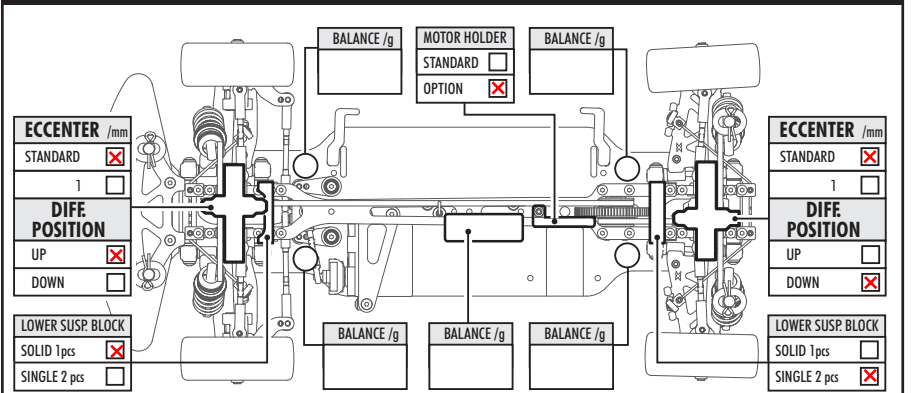
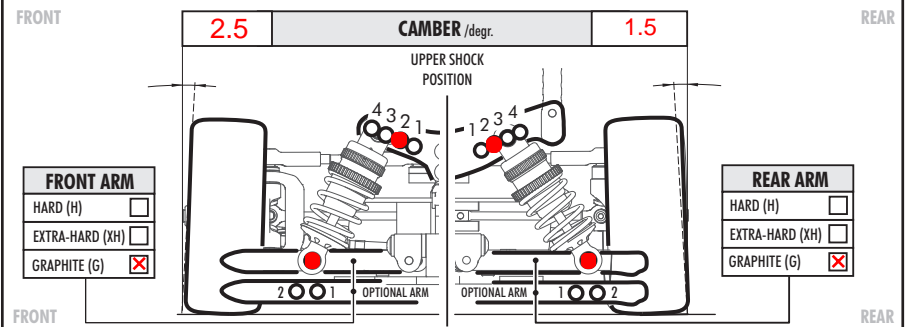
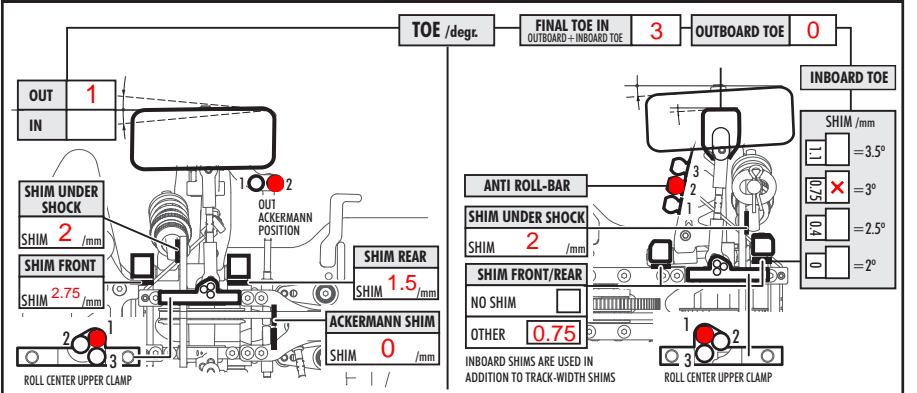
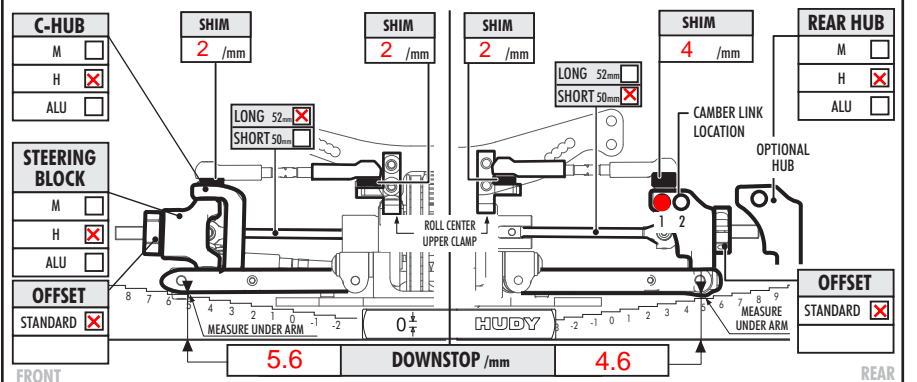
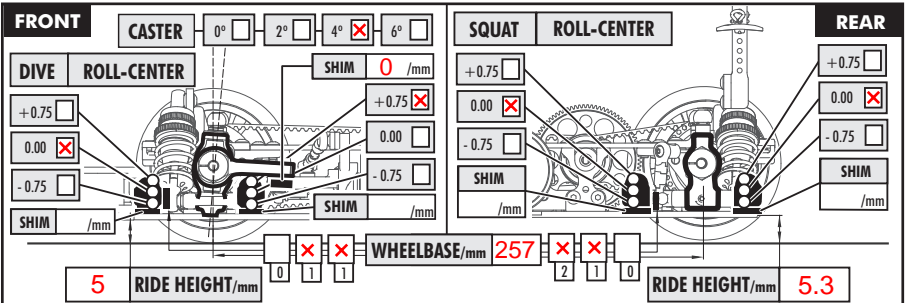
WHEELS						
S	M	H	HARDNESS			
<input type="checkbox"/>	<input type="checkbox"/>	<input type="checkbox"/>	S	M	H	<input type="checkbox"/>

MOTOR	ORCA RX 4.5T	TIMING	0
ROTOR	12.5	ARMATURE	

ESC	ORCA VX	BATTERIES	ORCA 6000 80C
-----	---------	-----------	---------------

BODY	Nazda 2	WING	MR33
------	---------	------	------

● - APPLIED S-SOFT M-MEDIUM H-HARD



COMMENTS
 20 grams weight in front bumper
 Steering posts raised 1.5mm
 ECS driveshafts in front
 Alu servohorn