

SET-UP SHEET

XRAY T4

RACE	Club Race		
TRACK	Scandiano		
NAME	Alessio Menicucci		
CITY / COUNTRY	Scandiano	Italy	
CONTACT	menicucci.a@libero.it		

DATE	08/10/2012	TEMPERATURE / °F or °C	AIR	TRACK
QUALIFYING POSITION	BEST LAPTIME /sec	FINAL POSITION	RACE LENGTH /minutes	
	13.3			

TRACK CONDITION	<input checked="" type="checkbox"/> CARPET	<input type="checkbox"/> ASPHALT	
	<input type="checkbox"/> TECHNICAL	<input type="checkbox"/> FAST	
TRACTION	<input type="checkbox"/> LOW	<input type="checkbox"/> MEDIUM	<input checked="" type="checkbox"/> HIGH

FRONT		REAR	
TRANSMISSION			
SOLID AXLE	<input checked="" type="checkbox"/> YES	BALL DIFFERENTIAL	<input type="checkbox"/> YES
SOLID ONE WAY DIFF.	<input type="checkbox"/> YES		
ONE WAY DIFFERENTIAL	<input type="checkbox"/> YES		
GEAR DIFFERENTIAL	<input type="checkbox"/> YES	GEAR DIFFERENTIAL	<input checked="" type="checkbox"/> YES
OIL		OIL	2000 cst /cst
PINION / T	25	SPUR GEAR / T	114
FINAL DRIVE RATIO	4.56	ROLLOUT	NaN

FRONT		REAR	
2.3-2.6	XRAY SPRINGS	2.3-2.6	
450 cst	OIL / CST	450 cst	
	LENGTH /mm		
	PRELOAD /mm		
0	REBOUND %	0	

<input type="checkbox"/> YES	<input checked="" type="checkbox"/> NO	FOAM INSERTS	<input type="checkbox"/> YES	<input checked="" type="checkbox"/> NO
<input type="checkbox"/> YES	<input checked="" type="checkbox"/> NO	O-RING ON SHAFT	<input type="checkbox"/> YES	<input checked="" type="checkbox"/> NO
<input type="checkbox"/> 3 HOLES	<input checked="" type="checkbox"/> 4 HOLES	PISTONS	<input type="checkbox"/> 3 HOLES	<input checked="" type="checkbox"/> 4 HOLES
		1.0mm		
		1.1mm		
		1.2mm		
		OTHERS		

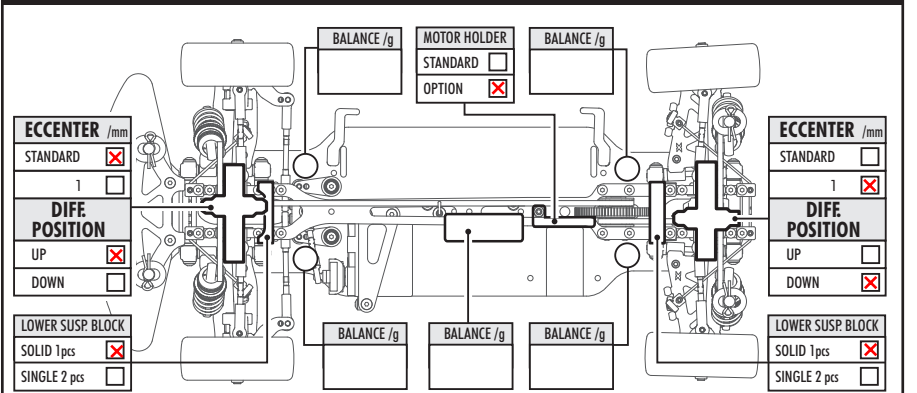
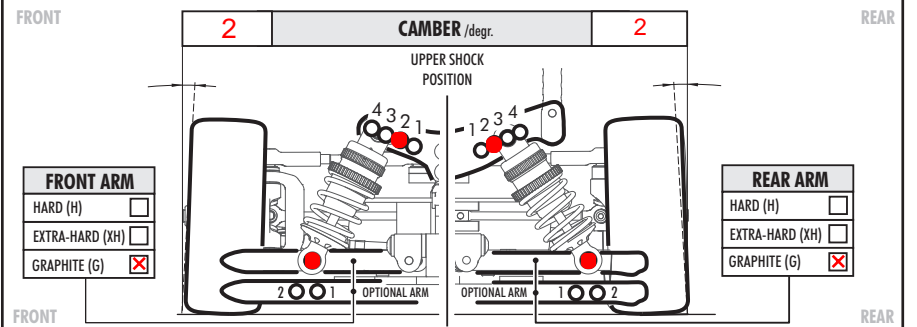
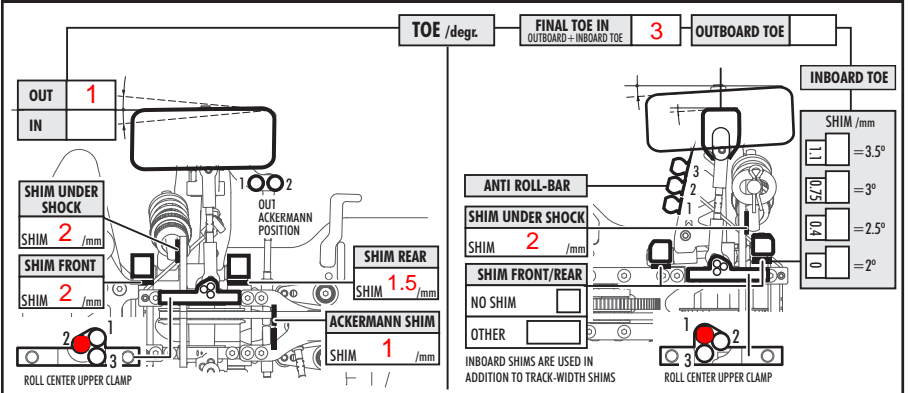
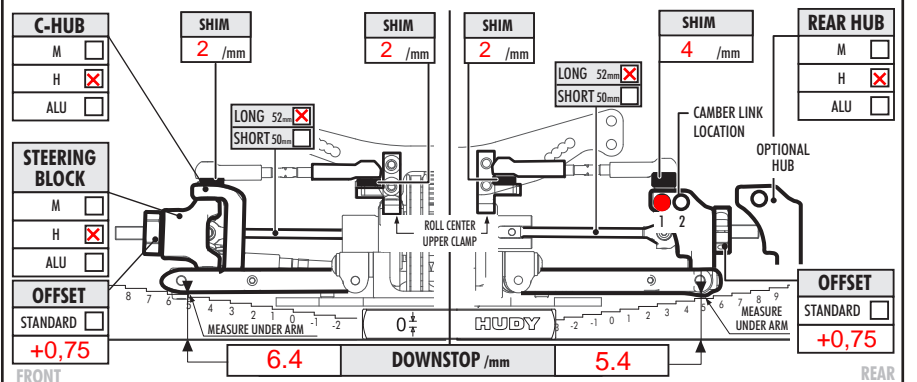
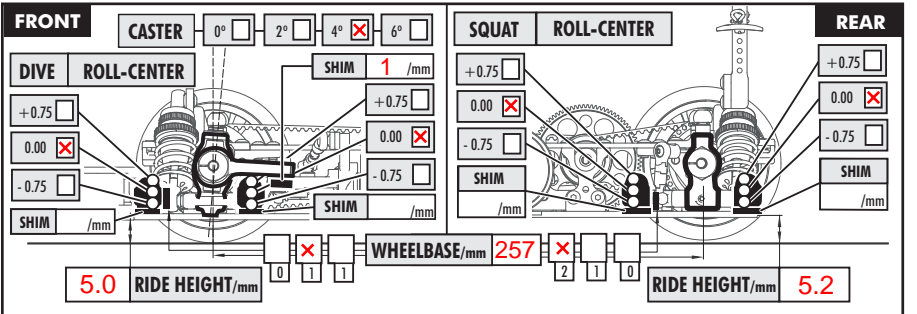
1.4	THICKNESS/mm	ANTI-ROLL BAR	THICKNESS/mm	1.4
-----	--------------	---------------	--------------	-----

Ride	TIRES	Ride
	INSERTS	
CS High Grip	ADDITIVE	CS High Grip
	ADDITIVE TIMING	



WHEELS						
S	M	H	HARDNESS			
<input type="checkbox"/>	<input type="checkbox"/>	<input type="checkbox"/>	S	M	H	<input type="checkbox"/>

MOTOR	Orca 4.5T	TIMING	
ROTOR		ARMATURE	
ESC	Orca Vx	BATTERIES	Orca Infinite
BODY	Nazda 2	WING	MR



COMMENTS
Ecs 52mm in front

● - APPLIED S-SOFT M-MEDIUM H-HARD