

# SET-UP SHEET

# XRAY T4'14

RACE	LRP TCM '14		
TRACK	Walter K?bel Halle		
NAME	Anonymous		
CITY / COUNTRY	R?sselsheim	Germany	
CONTACT	alexander.hagberg@gmail.com		

DATE	16/03/2014	TEMPERATURE / °F or °C	AIR	TRACK
------	------------	------------------------	-----	-------

QUALIFYING POSITION	BEST LAPTIME /sec	FINAL POSITION	RACE LENGTH /minutes
5	19.3	5	5

TRACK CONDITION	<input checked="" type="checkbox"/> CARPET	<input type="checkbox"/> ASPHALT	
<input type="checkbox"/> TECHNICAL	<input checked="" type="checkbox"/> MIXED	<input type="checkbox"/> FAST	
TRACTION	<input type="checkbox"/> LOW	<input checked="" type="checkbox"/> MEDIUM	<input type="checkbox"/> HIGH

FRONT	REAR
<b>TRANSMISSION</b>	

SOLID AXLE	<input checked="" type="checkbox"/> YES	BALL DIFFERENTIAL	<input type="checkbox"/> YES
SOLID ONE WAY DIFF.	<input type="checkbox"/> YES		
ONE WAY DIFFERENTIAL	<input type="checkbox"/> YES		

GEAR DIFFERENTIAL	<input type="checkbox"/> YES	GEAR DIFFERENTIAL	<input checked="" type="checkbox"/> YES
OIL		OIL	4000 /Cst

PINION / T	27	SPUR GEAR / T	110
FINAL DRIVE RATIO	4.0740740740741	ROLLOUT	NaN

FRONT	REAR
-------	------

2.5-2.8	XRAY SPRINGS	2.5
---------	--------------	-----

400	OIL / CST	400
-----	-----------	-----

	LENGTH /mm	
--	------------	--

0	PRELOAD /mm	
---	-------------	--

<input type="checkbox"/> YES	<input checked="" type="checkbox"/> NO	FOAM INSERTS	<input type="checkbox"/> YES	<input checked="" type="checkbox"/> NO
------------------------------	--	--------------	------------------------------	--

<input type="checkbox"/> YES	<input checked="" type="checkbox"/> NO	O-RING ON SHAFT	<input type="checkbox"/> YES	<input checked="" type="checkbox"/> NO
------------------------------	--	-----------------	------------------------------	--

<input type="checkbox"/> 3 HOLES	<input checked="" type="checkbox"/> 4 HOLES	PISTONS	<input type="checkbox"/> 3 HOLES	<input checked="" type="checkbox"/> 4 HOLES
		1.0mm		
		1.1mm		
		1.2mm		
OTHERS				

1.4	THICKNESS/mm	ANTI-ROLL BAR	THICKNESS/mm	1.3
-----	--------------	---------------	--------------	-----

LRP CPX	TIRES	LRP CPX
---------	-------	---------

LRP 2	INSERTS	LRP 2
-------	---------	-------

10	ADDITIVE TIMING	20
----	-----------------	----

FRONT LEFT	FRONT RIGHT	REAR LEFT	REAR RIGHT
TREATED AREA			

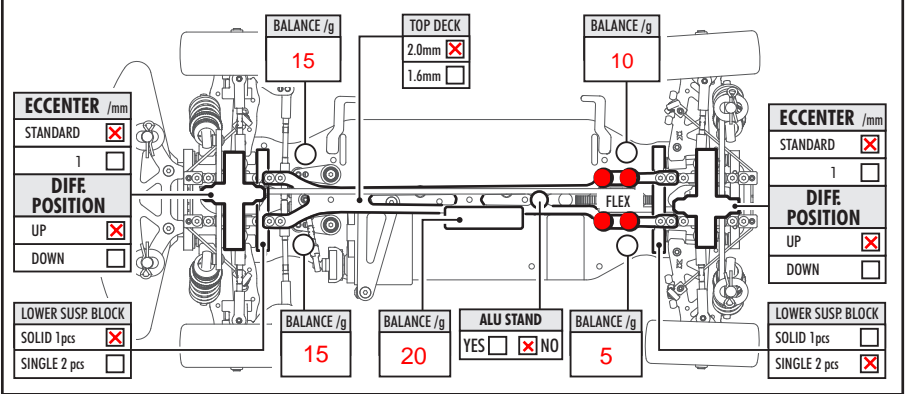
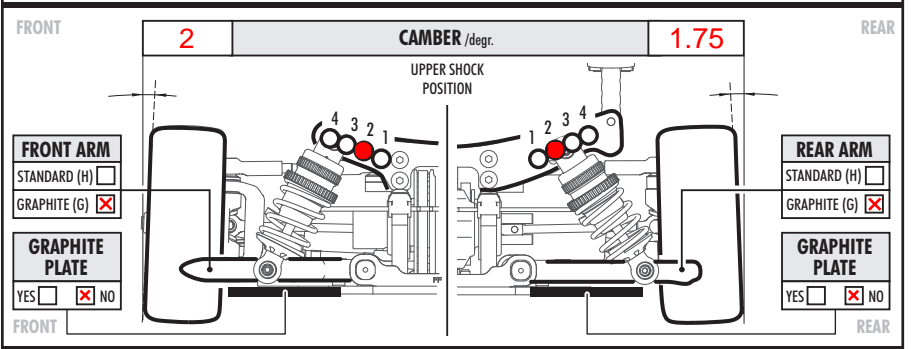
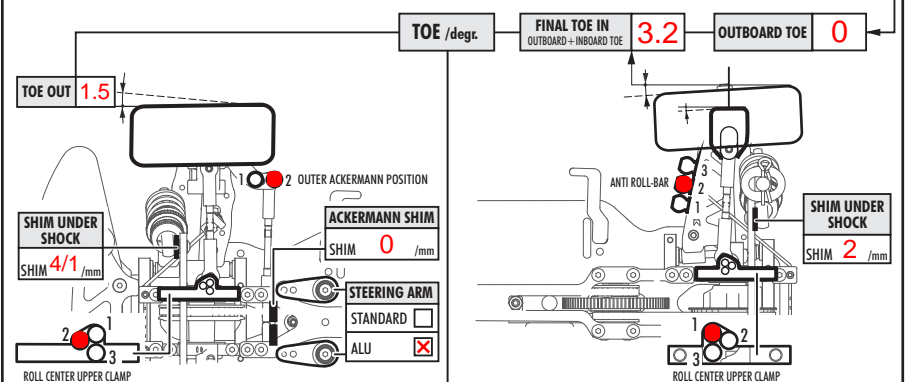
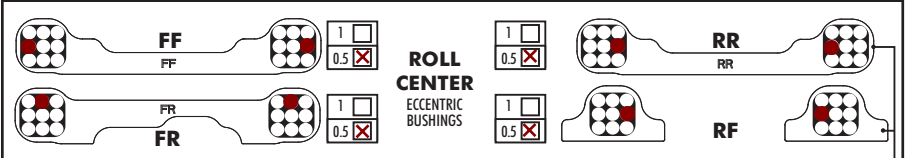
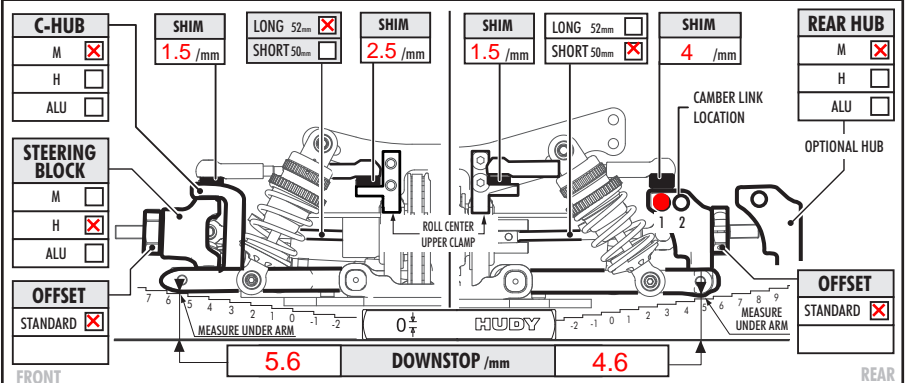
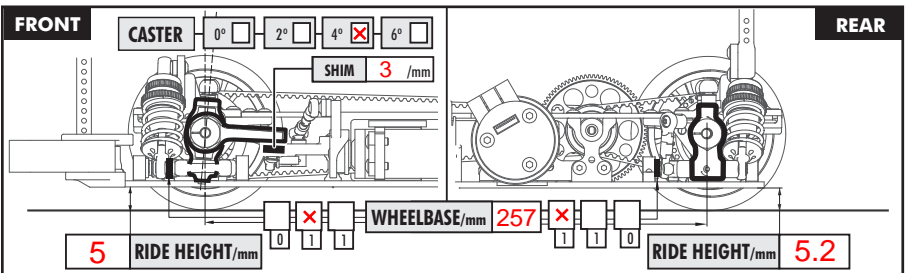
<b>WHEELS</b>			
<input type="checkbox"/> S	<input type="checkbox"/> M	<input type="checkbox"/> H	HARDNESS
<input type="checkbox"/> S	<input type="checkbox"/> M	<input type="checkbox"/> H	

MOTOR	ORCA TX 5.0T	TIMING	10
ROTOR	12.5	ARMATURE	

ESC	ORCA VXX	BATTERIES	ORCA 6200 90C
-----	----------	-----------	---------------

BODY	PF SP6 LW	WING	Yokomo
------	-----------	------	--------

- APPLIED    S-SOFT    M-MEDIUM    H-HARD



COMMENTS  
**HUDY** Alu servo horn #293501  
**ECS** driveshafts in front