

# SET-UP SHEET

# XRAY T4'14

RACE	TITC 2014		
TRACK	HUGE R		
NAME	Alexander Hagberg		
CITY / COUNTRY	Bangkok	Thailand/C	
CONTACT	alexander.hagberg@gmail.com		

DATE	24/02/2014	TEMPERATURE / °F or °C	AIR	30	TRACK
------	------------	------------------------	-----	----	-------

QUALIFYING POSITION	BEST LAPTIME /sec	FINAL POSITION	RACE LENGTH /minutes
5	14.0	7	5

TRACK CONDITION	<input type="checkbox"/> CARPET	<input checked="" type="checkbox"/> ASPHALT	
<input type="checkbox"/> TECHNICAL	<input checked="" type="checkbox"/> MIXED	<input type="checkbox"/> FAST	
TRACTION	<input type="checkbox"/> LOW	<input type="checkbox"/> MEDIUM	<input checked="" type="checkbox"/> HIGH

FRONT	REAR
TRANSMISSION	

SOLID AXLE	<input checked="" type="checkbox"/> YES	BALL DIFFERENTIAL	<input type="checkbox"/> YES
SOLID ONE WAY DIFF.	<input type="checkbox"/> YES		
ONE WAY DIFFERENTIAL	<input type="checkbox"/> YES		

GEAR DIFFERENTIAL	<input type="checkbox"/> YES	GEAR DIFFERENTIAL	<input type="checkbox"/> YES
OIL		OIL	15.000 /Cst

PINION / T	27	SPUR GEAR / T	110
FINAL DRIVE RATIO	4.0740740740741	ROLLOUT	NaN

FRONT	REAR
-------	------

2.7	XRAY SPRINGS	2.7
-----	--------------	-----

400	OIL / CST	400
-----	-----------	-----

	LENGTH /mm	
--	------------	--

	PRELOAD /mm	
--	-------------	--

<input type="checkbox"/> YES	<input type="checkbox"/> NO	FOAM INSERTS	<input type="checkbox"/> YES	<input type="checkbox"/> NO
<input type="checkbox"/> YES	<input type="checkbox"/> NO	O-RING ON SHAFT	<input type="checkbox"/> YES	<input type="checkbox"/> NO

<input type="checkbox"/> 3 HOLES	<input checked="" type="checkbox"/> 4 HOLES	PISTONS	<input type="checkbox"/> 3 HOLES	<input checked="" type="checkbox"/> 4 HOLES
		1.0mm		
		1.1mm		
		1.2mm		
OTHERS				

1.3	THICKNESS/mm	ANTI-ROLL BAR	THICKNESS/mm	1.2
-----	--------------	---------------	--------------	-----

Ride XR 34	TIRES	Ride XR 34
------------	-------	------------

Mighty V3 Yellow	INSERTS	Mighty V3 Yellow
------------------	---------	------------------

5	ADDITIVE	5
	ADDITIVE TIMING	

FRONT LEFT	FRONT RIGHT	REAR LEFT	REAR RIGHT
TREATED AREA			

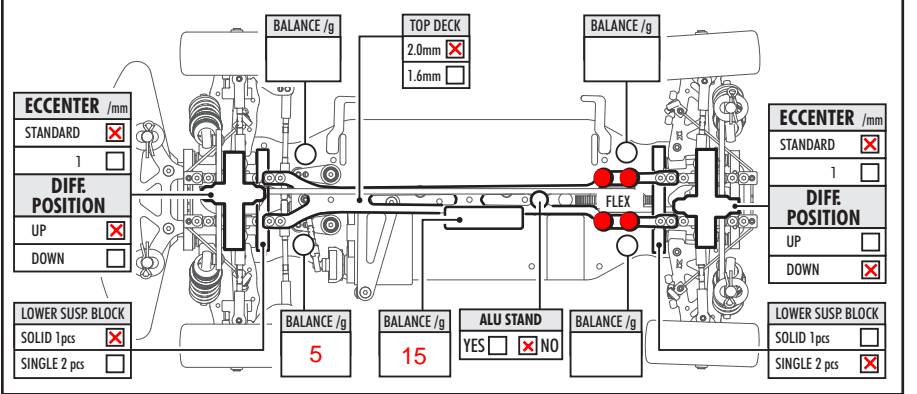
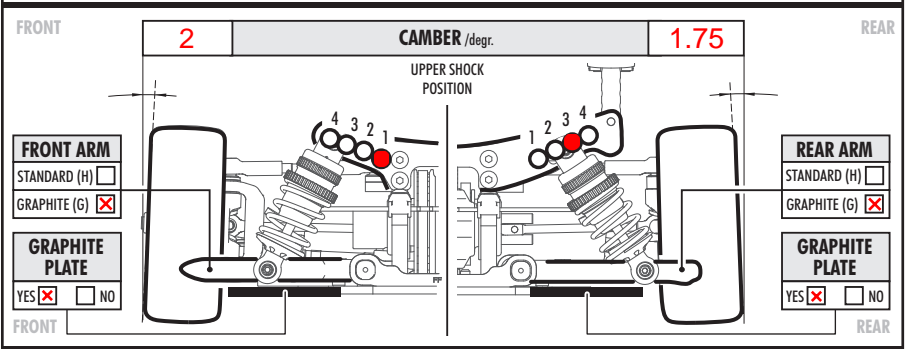
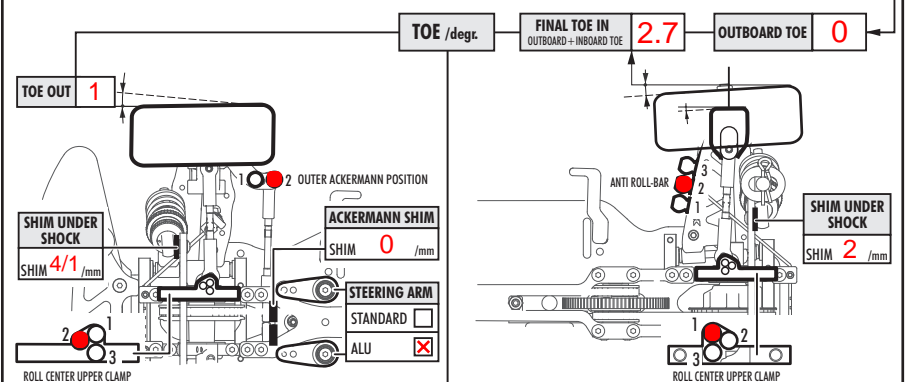
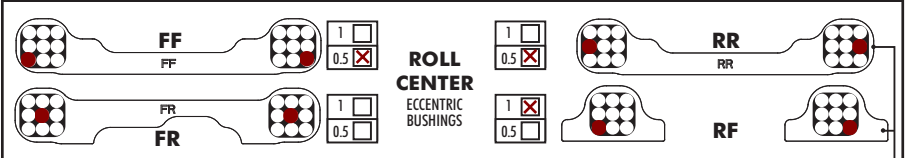
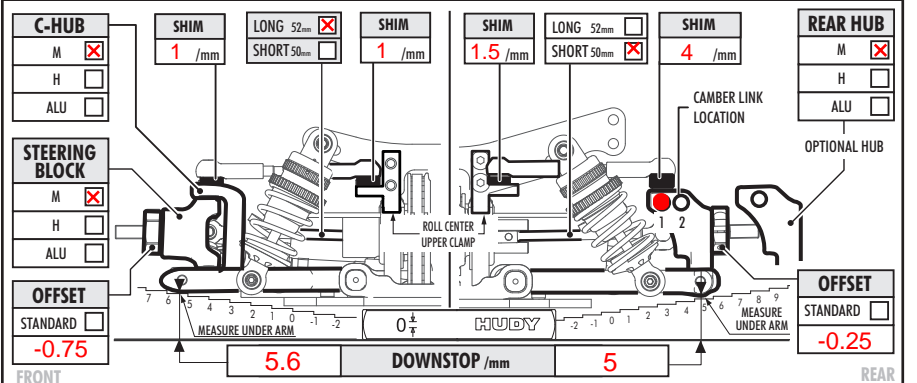
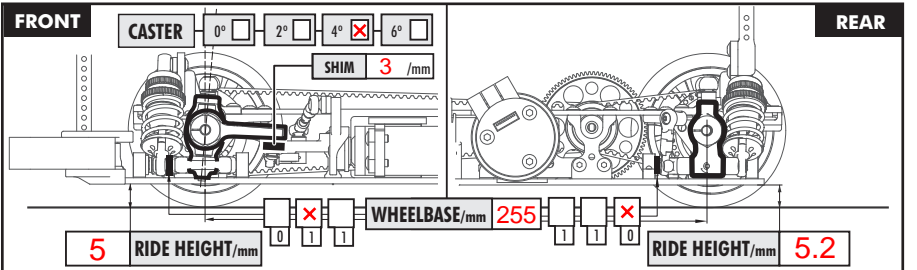
WHEELS		
S <input type="checkbox"/>	M <input type="checkbox"/>	H <input type="checkbox"/>
HARDNESS		
S <input type="checkbox"/>	M <input type="checkbox"/>	H <input type="checkbox"/>

MOTOR	ORCA TX 4.5T	TIMING	10
ROTOR	12.5	ARMATURE	

ESC	ORCA VXX	BATTERIES	ORCA 7500 90C
-----	----------	-----------	---------------

BODY	PF LTC-R	WING	PF HARD STD
------	----------	------	-------------

<input checked="" type="checkbox"/> - APPLIED	S - SOFT	M - MEDIUM	H - HARD
---	----------	------------	----------



COMMENTS  
 HUDY Alu servo horn 293501  
 EOS Front driveshafts  
 Center nut loose in motor mount  
 Only top 2 screws in shock towers fr+rr