

SET-UP SHEET

XRAY T4'14

RACE	XRAY Challenge Germany		
TRACK	Eifel-Ring MAC Adenau		
NAME	Anonymous		
CITY / COUNTRY	Adenau	Germany	
CONTACT	alexander.hagberg@gmail.com		

DATE	09/03/2014	TEMPERATURE / °F or °C	AIR	TRACK
------	------------	------------------------	-----	-------

QUALIFYING POSITION	BEST LAP TIME /sec	FINAL POSITION	RACE LENGTH /minutes
1	10.4	1	5

TRACK CONDITION	<input checked="" type="checkbox"/> CARPET	<input type="checkbox"/> ASPHALT	
	<input type="checkbox"/> TECHNICAL	<input type="checkbox"/> FAST	
TRACTION	<input type="checkbox"/> LOW	<input type="checkbox"/> MEDIUM	<input checked="" type="checkbox"/> HIGH

FRONT	REAR
TRANSMISSION	

SOLID AXLE	<input checked="" type="checkbox"/> YES	BALL DIFFERENTIAL	<input type="checkbox"/> YES
SOLID ONE WAY DIFF.	<input type="checkbox"/> YES		
ONE WAY DIFFERENTIAL	<input type="checkbox"/> YES		

GEAR DIFFERENTIAL	<input type="checkbox"/> YES	GEAR DIFFERENTIAL	<input checked="" type="checkbox"/> YES
OIL		OIL	3000 /Cst

PINION / T	27	SPUR GEAR / T	110
FINAL DRIVE RATIO	4.0740740740741	ROLLOUT	NaN

FRONT	REAR
-------	------

2.5-2.8	XRAY SPRINGS	2.5
---------	--------------	-----

400	OIL / CST	400
	LENGTH /mm	
	PRELOAD /mm	

0	REBOUND %	0
---	-----------	---

<input type="checkbox"/> YES	<input checked="" type="checkbox"/> NO	FOAM INSERTS	<input type="checkbox"/> YES	<input checked="" type="checkbox"/> NO
<input type="checkbox"/> YES	<input checked="" type="checkbox"/> NO	O-RING ON SHAFT	<input type="checkbox"/> YES	<input checked="" type="checkbox"/> NO

<input type="checkbox"/> 3 HOLES	<input checked="" type="checkbox"/> 4 HOLES	PISTONS	<input type="checkbox"/> 3 HOLES	<input checked="" type="checkbox"/> 4 HOLES
		1.0mm		
		1.1mm		
		1.2mm		
OTHERS				

1.4	THICKNESS/mm	ANTI-ROLL BAR	THICKNESS/mm	1.2
-----	--------------	---------------	--------------	-----

LRP CPX	TIRES	LRP VPX
	INSERTS	
LRP 3	ADDITIVE	LRP 3
5	ADDITIVE TIMING	5

FRONT LEFT	FRONT RIGHT	REAR LEFT	REAR RIGHT
TREATED AREA			

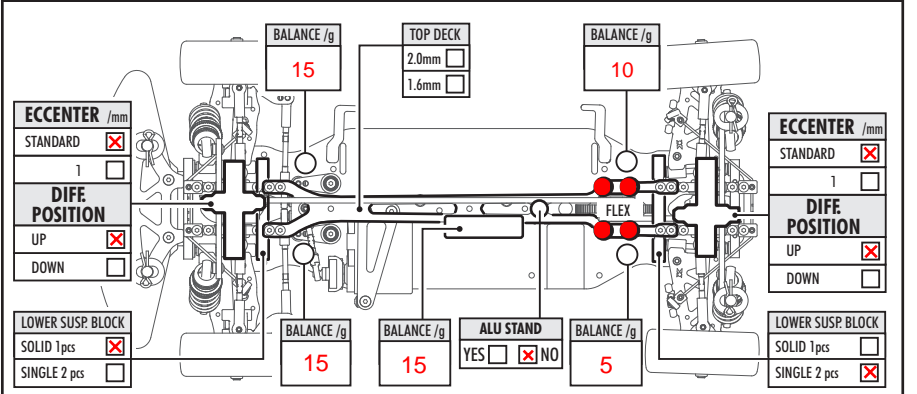
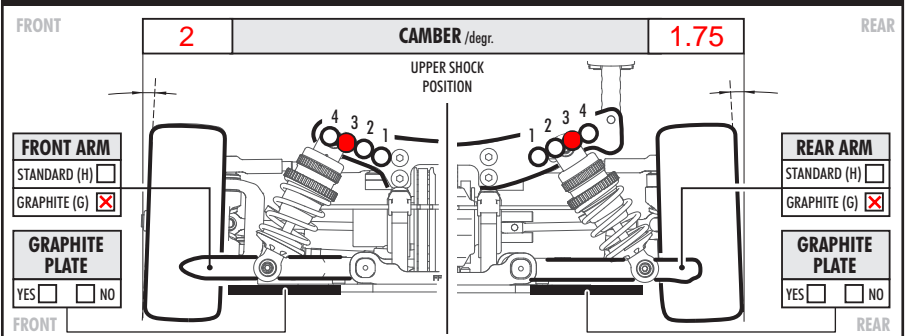
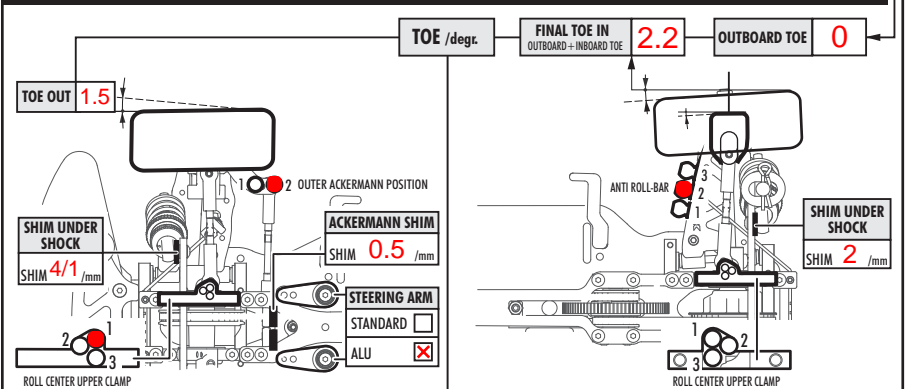
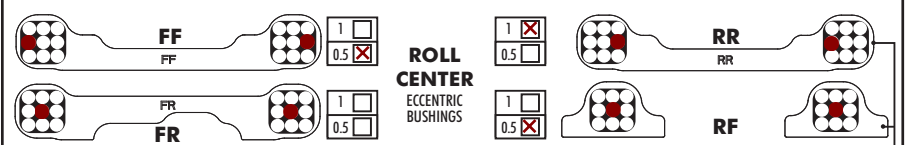
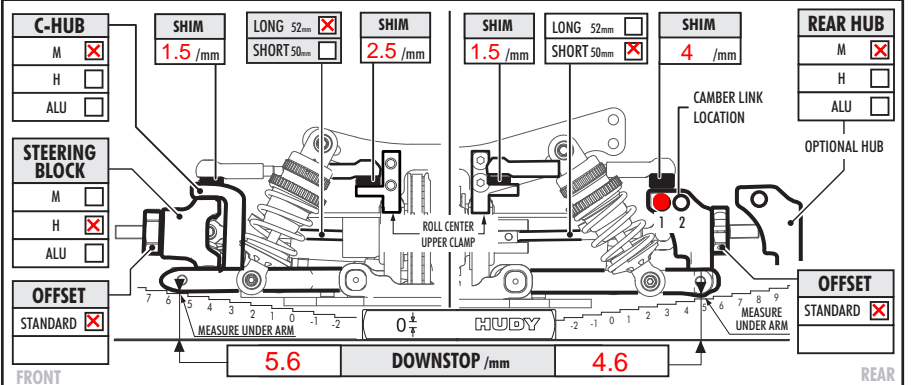
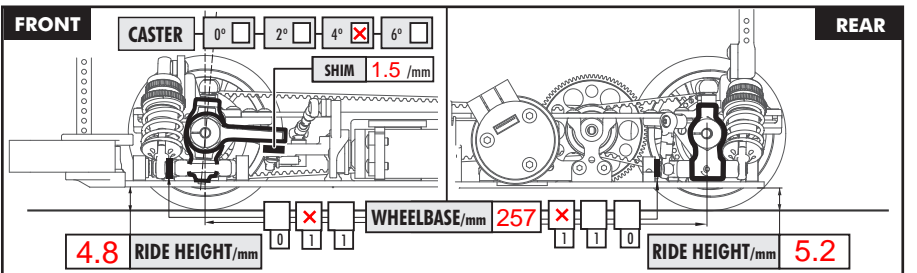
WHEELS			
<input type="checkbox"/> S	<input type="checkbox"/> M	<input type="checkbox"/> H	<input type="checkbox"/>
HARDNESS			
<input type="checkbox"/> S	<input type="checkbox"/> M	<input type="checkbox"/> H	<input type="checkbox"/>

MOTOR	ORCA TX 5.0T	TIMING	STD
ROTOR	12.5	ARMATURE	

ESC	ORCA VXX	BATTERIES	ORCA 6200 90C
-----	----------	-----------	---------------

BODY	PF SP6 LW	WING	PF HARD STD
------	-----------	------	-------------

<input checked="" type="checkbox"/> - APPLIED	S-SOFT	M-MEDIUM	H-HARD
---	--------	----------	--------



COMMENTS
 HUDY alu servo horn 293501
 ECS front driveshafts
 2 screws only in shock towers fr+rr