

# SET-UP SHEET

# XRAY X12

<b>RACE</b>	Club Race	
<b>TRACK</b>	Hot Shots RC	

<b>NAME</b>	Darin T	
<b>CITY / COUNTRY</b>	Kennesaw, GA	USA
<b>CONTACT</b>		

<b>DATE</b>	29/12/2011	
<b>TEMPERATURE</b> / <small>F or °C</small>	AIR 65F	TRACK

<b>QUALIFYING POSITION</b>	<b>BEST LAPTIME</b> / sec	<b>FINAL POSITION</b>	<b>RACE LENGTH</b> / minutes
1	9:45	DNF	

<b>TRACK CONDITION</b>	<input checked="" type="checkbox"/> CARPET	<input type="checkbox"/> ASPHALT
	<input type="checkbox"/> TECHNICAL	<input type="checkbox"/> MIXED <input checked="" type="checkbox"/> FAST
<b>TRACTION</b>		
	<input type="checkbox"/> LOW	<input checked="" type="checkbox"/> MEDIUM <input type="checkbox"/> HIGH

<b>CENTER SHOCK ABSORBER</b>			
SPRING	STK	OIL / cSt	600
		REBOUND%	0

<b>SIDE LINKAGES</b>	
OIL / cSt	7K

FRONT	TIRES	REAR
Pink		Pink
41	DIAMETER/mm	43mm
	ADDITIVE	
10 Min	ADDITIVE timing	10 Min

<b>FRONT LEFT</b>	<b>FRONT RIGHT</b>	<b>ADDITIVE TREATED AREA</b>	<b>REAR LEFT</b>	<b>REAR RIGHT</b>

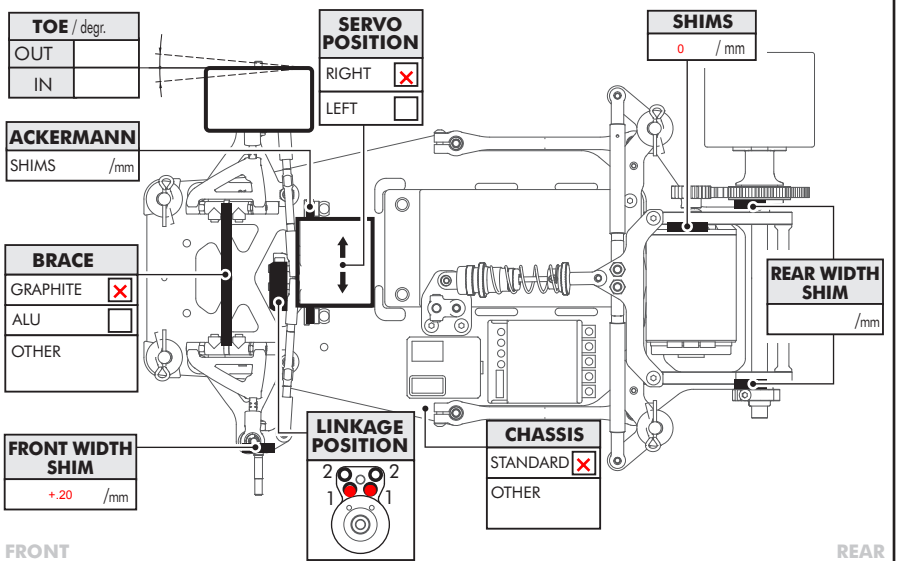
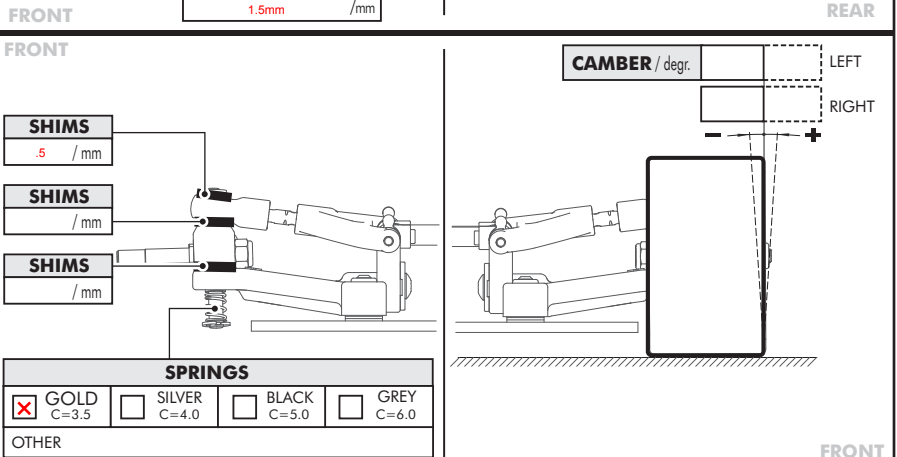
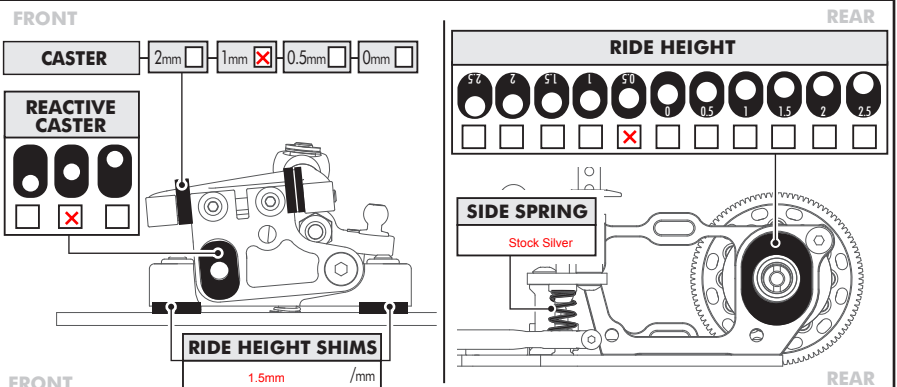
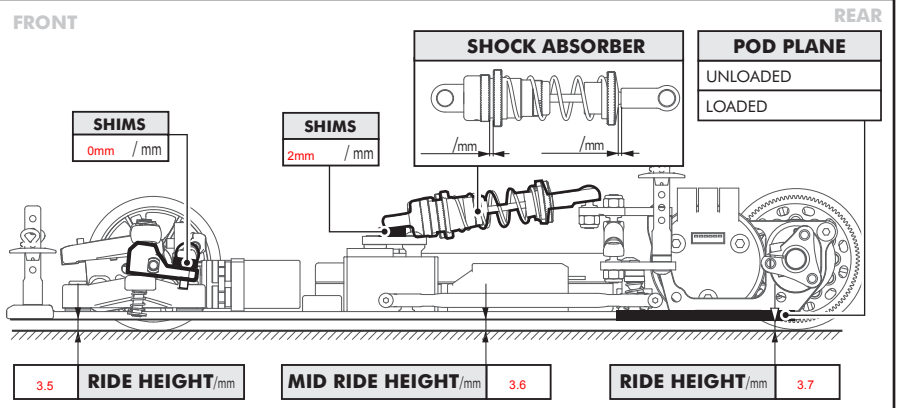
<b>TRANSMISSION</b>	
<b>DIFF SETTING</b>	
<input type="checkbox"/> LOOSE	<input checked="" type="checkbox"/> <input type="checkbox"/> MEDIUM <input type="checkbox"/> TIGHT

<b>PINION / T</b>	44	<b>SPUR GEAR/T</b>	78
<b>FINAL DRIVE RATIO</b>	1.7727272727273	<b>ROLLOUT</b>	76.165128205128

<b>MOTOR</b>	
<b>BRAND</b>	Novak
<b>TURN</b>	13.5
<b>ROTOR</b>	Stk
<b>TIMING</b>	Stk

<b>ESC</b>	Tekin RSPPro	
<b>ESC SETTING</b>	PROGRAM	<input type="checkbox"/> PUNCH <input type="checkbox"/>
	INITIAL BRAKE	<input type="checkbox"/> AUTO BRAKE <input type="checkbox"/>

<b>BATTERIES</b>	Thunder Power
<b>BODY</b>	Black Art



**COMMENTS**

Car was just okay, need to continue to refine,