

SET-UP SHEET

RACE	Chesterfield RD4	
TRACK	Chesterfield	

NAME	Jamie Smallwood	
CITY / COUNTRY	Colchester	UK
CONTACT		

DATE	02/09/2009	
-------------	------------	--

TEMPERATURE / °F or °C	AIR	TRACK
-------------------------------	-----	-------

QUALIFYING POSITION	BEST LAP TIME / sec	FINAL POSITION	RACE LENGTH / minutes

TRACK CONDITION	<input type="checkbox"/> CARPET	<input type="checkbox"/> ASPHALT
	<input type="checkbox"/> TECHNICAL	<input type="checkbox"/> MIXED
	<input type="checkbox"/> FAST	

TRACTION	<input type="checkbox"/> LOW	<input type="checkbox"/> MEDIUM	<input type="checkbox"/> HIGH
-----------------	------------------------------	---------------------------------	-------------------------------

SHOCK ABSORBER	
SPRING	
OIL / cSt	
REBOUND %	

FRONT		REAR	
TIRES			
DIAMETER / mm			
ADDITIVE			
ADDITIVE timing			
FRONT LEFT	FRONT RIGHT	REAR LEFT	REAR RIGHT
ADDITIVE TREATED AREA			

TRANSMISSION	
DIFF SETTING	
<input type="checkbox"/> LOOSE	<input type="checkbox"/> MEDIUM
<input type="checkbox"/> TIGHT	

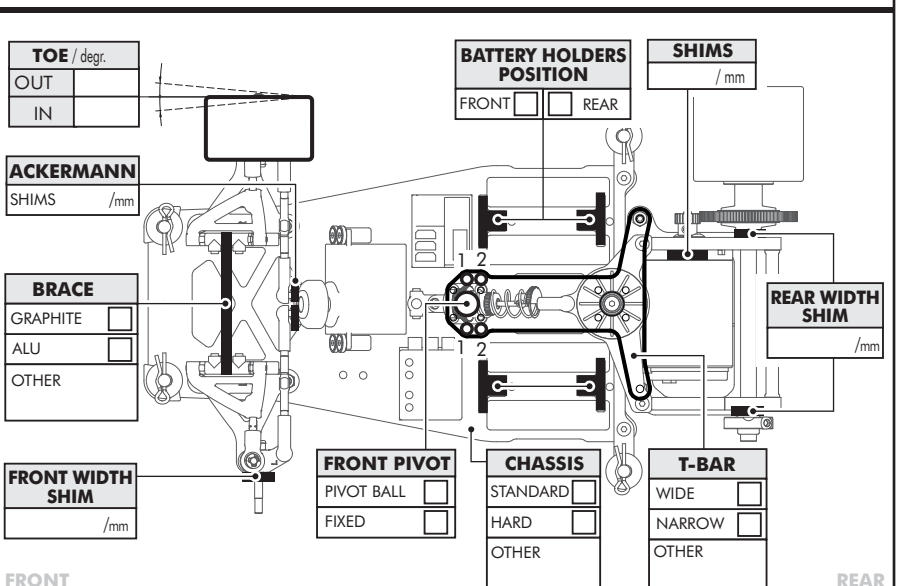
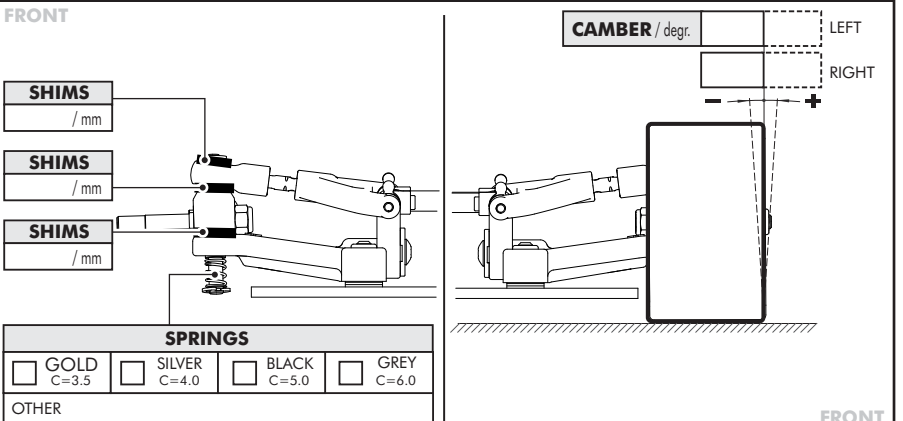
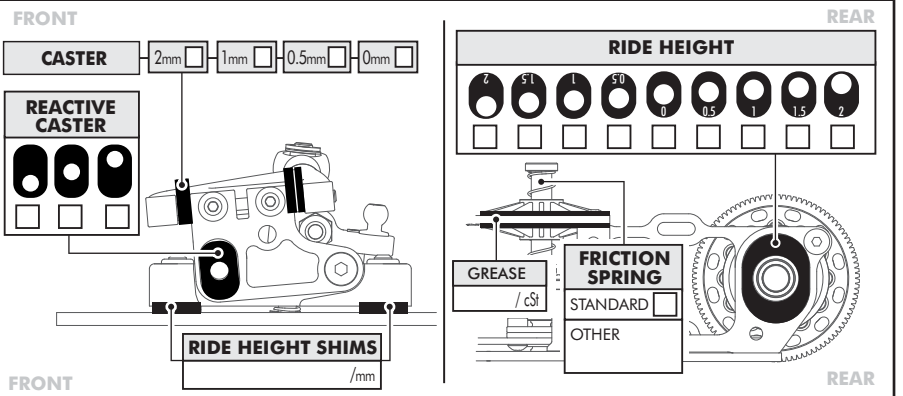
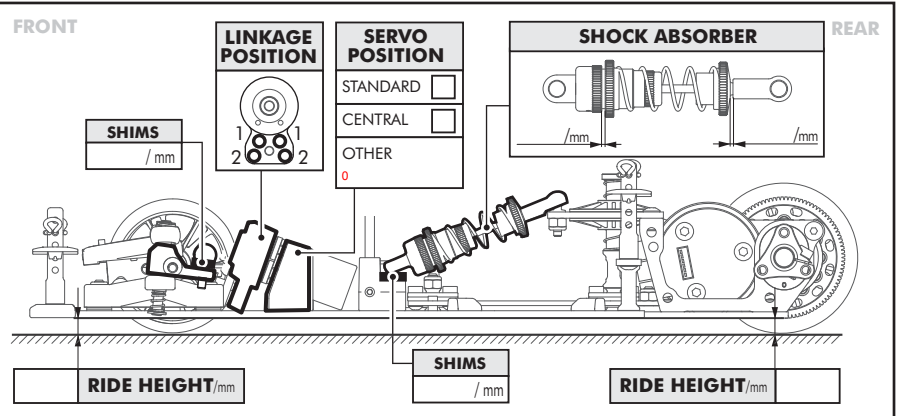
PINION / T	SPUR GEAR / T
FINAL DRIVE RATIO	ROLLOUT 0

BRUSHED MOTOR	
BRAND	
ARMATURE	
<input type="checkbox"/> SPRING	<input type="checkbox"/>
<input type="checkbox"/> BRUSH COMP.	<input type="checkbox"/>

BRUSHLESS MOTOR	
BRAND	
TURN	
ROTOR	
TIMING	

ESC	
ESC SETTING	
PROGRAM	<input type="checkbox"/>
PUNCH	<input type="checkbox"/>
INITIAL BRAKE	<input type="checkbox"/>
AUTO BRAKE	<input type="checkbox"/>

BATTERIES	
BODY	



COMMENTS