

SET-UP SHEET

XRAY X11

RACE	National r2	
TRACK	newbury	

NAME	Andy Murray	
CITY / COUNTRY	newbury	UK
CONTACT		

DATE	06/12/2009	
-------------	------------	--

TEMPERATURE / °F or °C	AIR	TRACK
-------------------------------	-----	-------

QUALIFYING POSITION	BEST LAPTIME / sec	FINAL POSITION	RACE LENGTH / minutes
		11	

TRACK CONDITION	<input checked="" type="checkbox"/> CARPET	<input type="checkbox"/> ASPHALT
	<input type="checkbox"/> TECHNICAL	<input checked="" type="checkbox"/> MIXED
	<input type="checkbox"/> FAST	

TRACTION		
<input type="checkbox"/> LOW	<input type="checkbox"/> MEDIUM	<input checked="" type="checkbox"/> HIGH

SHOCK ABSORBER	
SPRING	std
OIL / cSt	350
REBOUND %	25

FRONT	TIRES	REAR
dbl pink		yellow
42	DIAMETER/mm	44
cs	ADDITIVE	cs
10	ADDITIVE timing	25

FRONT LEFT	FRONT RIGHT	ADDITIVE TREATED AREA	REAR LEFT	REAR RIGHT

TRANSMISSION		
DIFF SETTING		
<input type="checkbox"/> LOOSE	<input checked="" type="checkbox"/> MEDIUM	<input type="checkbox"/> TIGHT

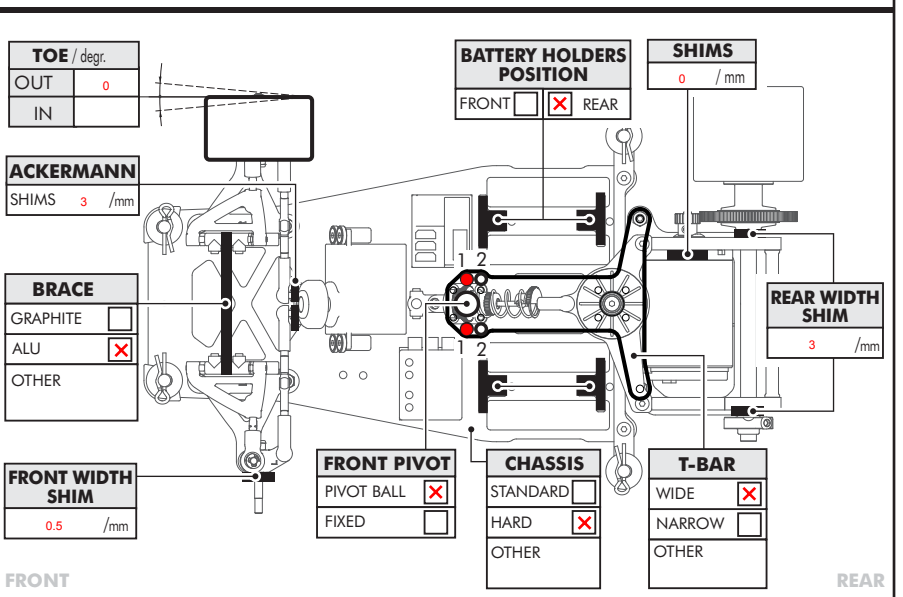
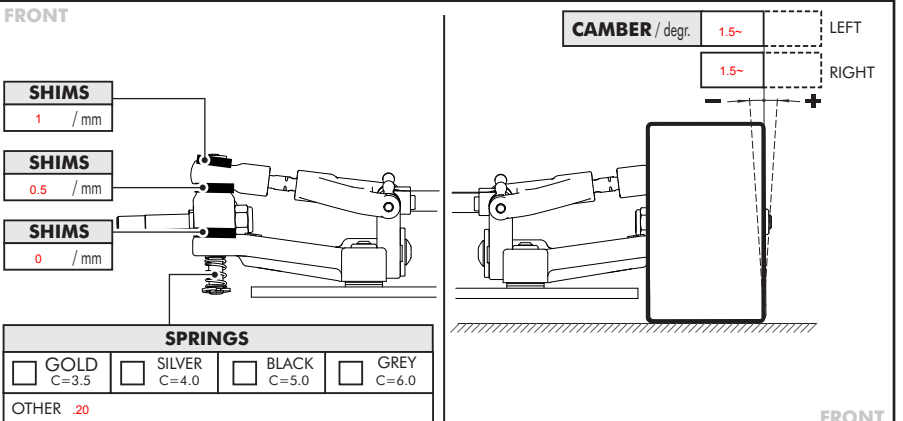
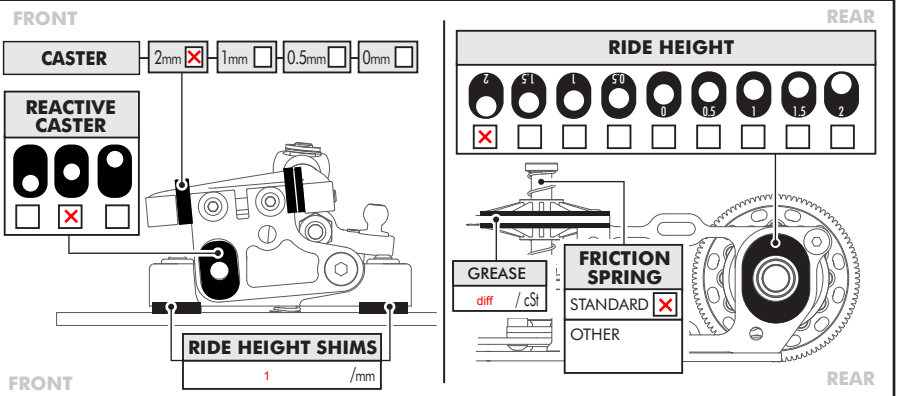
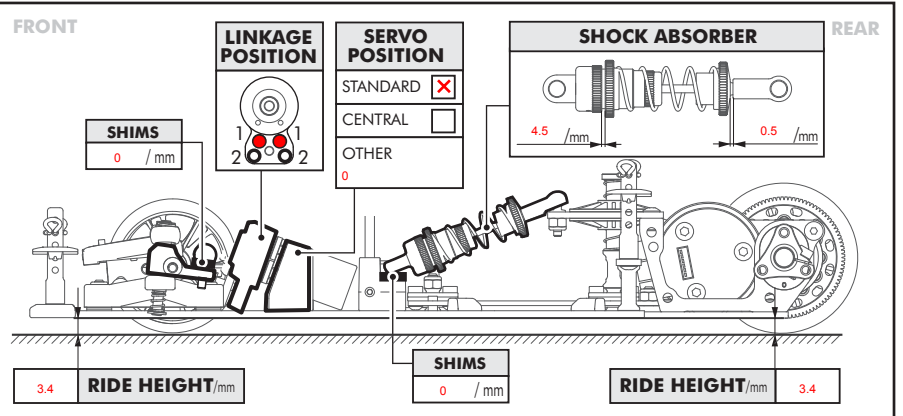
PINION / T	23	SPUR GEAR/T	96
FINAL DRIVE RATIO	7.096	ROLLOUT	18.585

BRUSHED MOTOR	
BRAND	
ARMATURE	
<input checked="" type="checkbox"/> SPRING	<input type="checkbox"/>
<input checked="" type="checkbox"/> BRUSH COMP.	<input type="checkbox"/>

BRUSHLESS MOTOR	
BRAND	gm
TURN	8
ROTOR	
TIMING	

ESC	GM120	
ESC SETTING	PROGRAM <input type="checkbox"/>	PUNCH <input type="checkbox"/>
	INITIAL BRAKE <input type="checkbox"/>	AUTO BRAKE <input type="checkbox"/>

BATTERIES	SMC
BODY	Zytek LW



COMMENTS