

SET-UP SHEET

RACE	FUTASAN-CUP	
TRACK	Yatabe Arena	

NAME	sray	
CITY / COUNTRY	Tsukuba-City	Japan
CONTACT	http://rc.kazsh.com/	

DATE	13/05/2012	
TEMPERATURE / °C	AIR 28	TRACK

QUALIFYING POSITION	BEST LAP TIME / sec	FINAL POSITION	RACE LENGTH / minutes
9	16.5	8	8min

TRACK CONDITION	<input checked="" type="checkbox"/> CARPET	<input type="checkbox"/> ASPHALT
	<input type="checkbox"/> TECHNICAL	<input checked="" type="checkbox"/> MIXED
TRACTION	<input type="checkbox"/> LOW	<input checked="" type="checkbox"/> MEDIUM
		<input type="checkbox"/> HIGH

CENTER SHOCK ABSORBER			
SPRING	Silver	OIL / cSt	450
		REBOUND %	50

SIDE SHOCK ABSORBER	
OIL / cSt	350

FRONT	TIRES	REAR
BomberM		BomberMS
42	DIAMETER/mm	43
TC2	ADDITIVE	TC2
30min	ADDITIVE timing	30min
FRONT LEFT	FRONT RIGHT	REAR LEFT
	ADDITIVE TREATED AREA	

TRANSMISSION	
DIFF SETTING	
<input type="checkbox"/> LOOSE	<input checked="" type="checkbox"/> MEDIUM
	<input type="checkbox"/> TIGHT

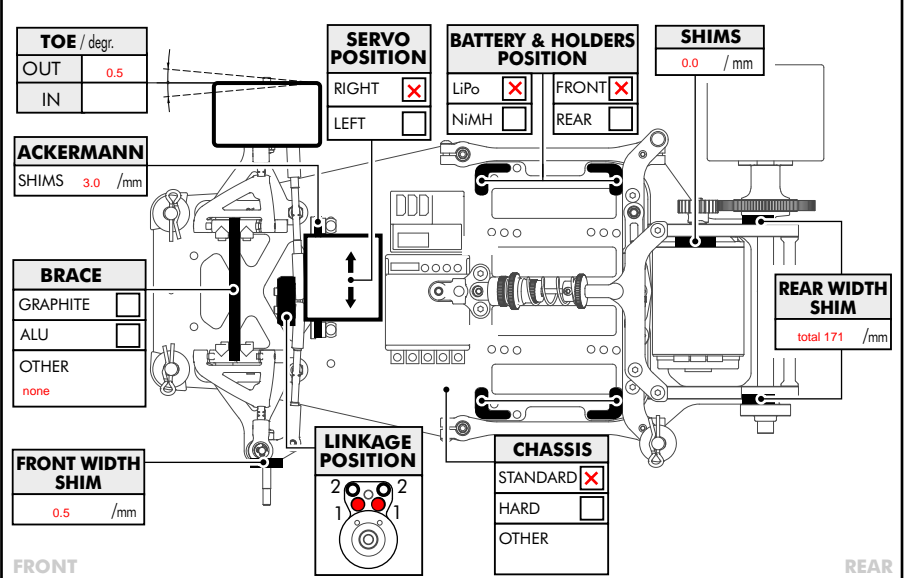
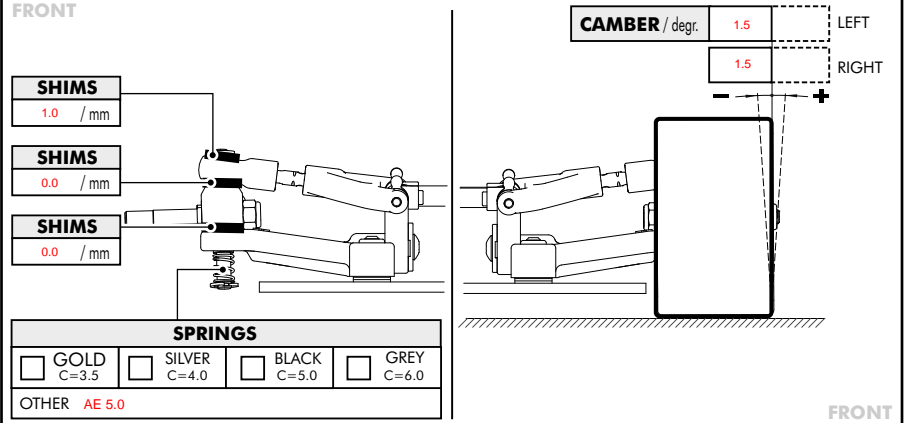
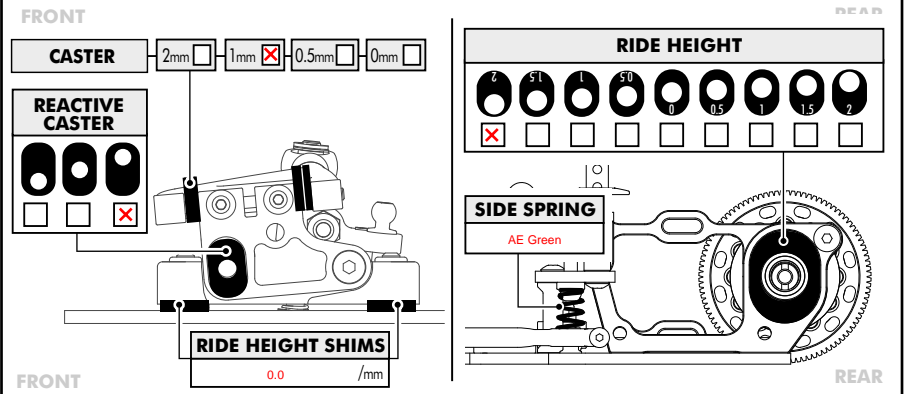
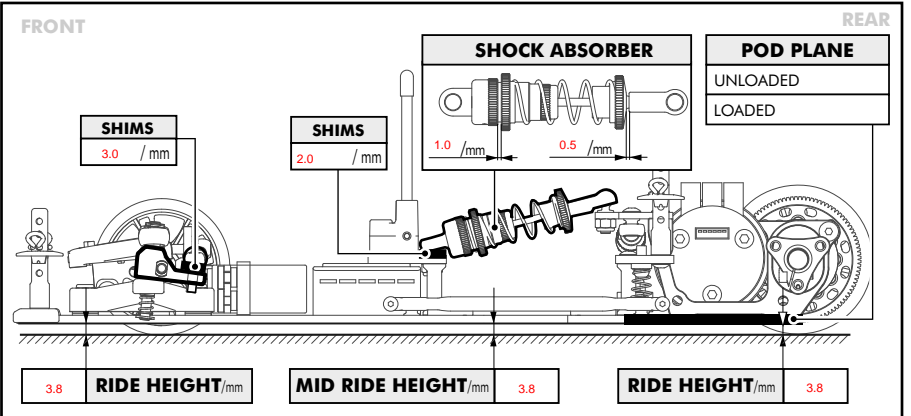
PINION / T	48	SPUR GEAR/T	76
FINAL DRIVE RATIO	1.58333333333333	ROLLOUT	85.275789473684

BRUSHED MOTOR	
BRAND	
ARMATURE	

BRUSHLESS MOTOR	
BRAND	Fantom ION3(D3)
TURN	17.5T
ROTOR	13.0mm MOD
TIMING	+4

ESC	ORCA VX	
ESC SETTING	PROGRAM <input type="checkbox"/>	PUNCH <input type="checkbox"/>
	INITIAL BRAKE <input type="checkbox"/>	AUTO BRAKE <input type="checkbox"/>

BATTERIES	Eagle 7.4V 3300mAh	
BODY	AMR12	



COMMENTS

REAR Ride Height -2.5mm

Center Shock Absorber 2hole