

SET-UP SHEET

RACE	12th European Championship	
TRACK	Hinckley	

NAME	Andy Murray	
CITY / COUNTRY	Hinckley	UK
CONTACT		

DATE	08/03/2010	
TEMPERATURE / °C	AIR	TRACK

QUALIFYING POSITION	BEST LAP TIME / sec	FINAL POSITION	RACE LENGTH / minutes
25th		23rd	

TRACK CONDITION	<input checked="" type="checkbox"/> CARPET	<input type="checkbox"/> ASPHALT
	<input type="checkbox"/> TECHNICAL	<input checked="" type="checkbox"/> MIXED
TRACTION	<input type="checkbox"/> LOW	<input type="checkbox"/> MEDIUM
		<input checked="" type="checkbox"/> HIGH

CENTER SHOCK ABSORBER			
SPRING	std	OIL / cSt	350
		REBOUND %	50

SIDE SHOCK ABSORBER			
	OIL / cSt	350	

FRONT	TIRES	REAR	
Jaco Magenta		Jaco Pink	
41.5	DIAMETER/mm	43.5	
CS	ADDITIVE	CS	
20	ADDITIVE timing	30	
FRONT LEFT	FRONT RIGHT	REAR LEFT	REAR RIGHT
ADDITIVE TREATED AREA			

TRANSMISSION	
DIFF SETTING	
<input type="checkbox"/> LOOSE	<input type="checkbox"/> MEDIUM <input checked="" type="checkbox"/> TIGHT

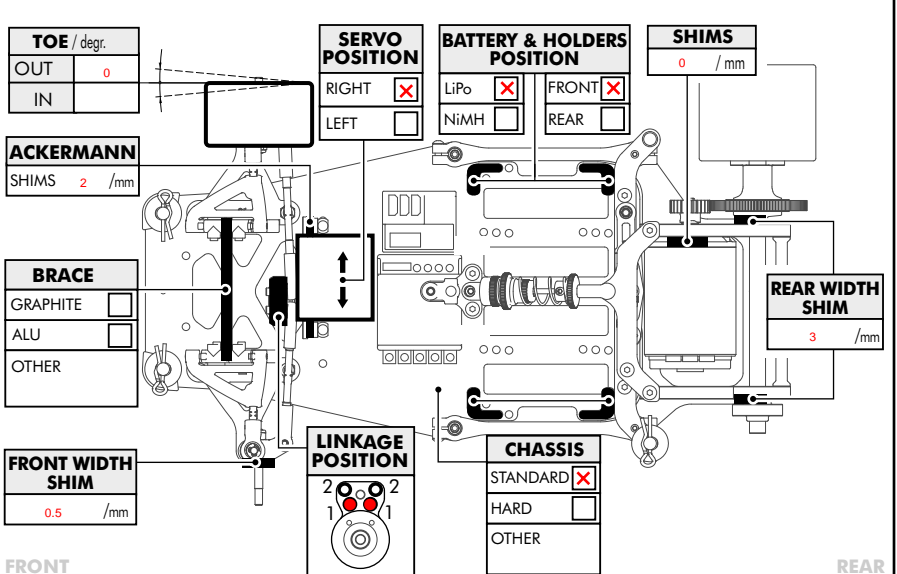
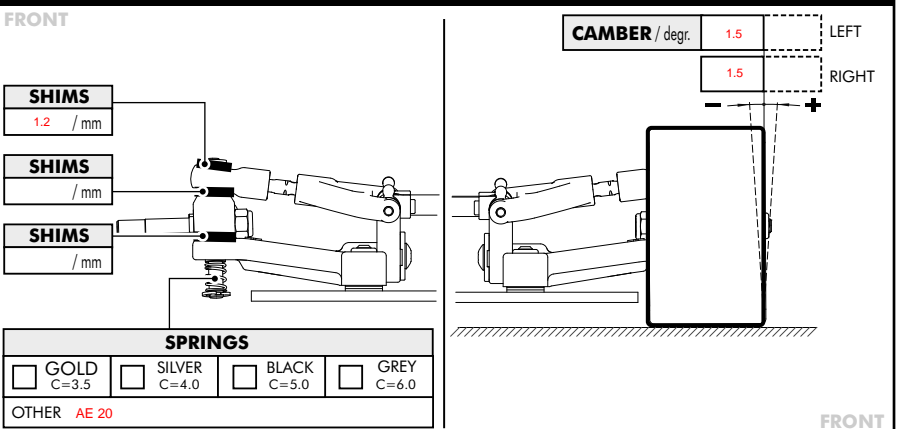
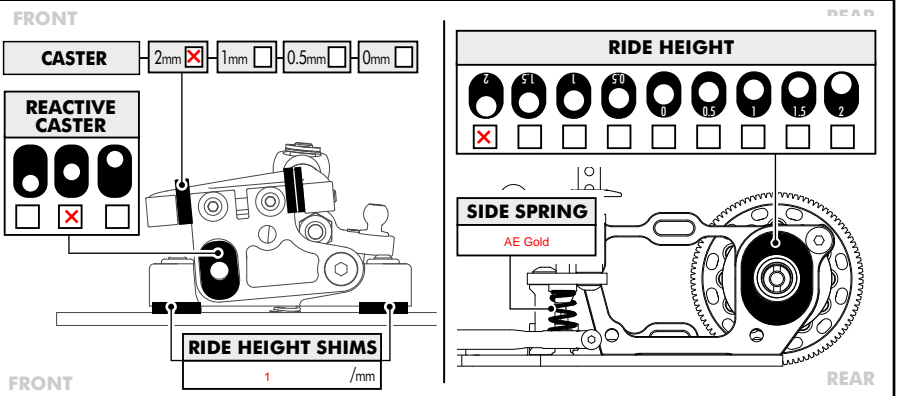
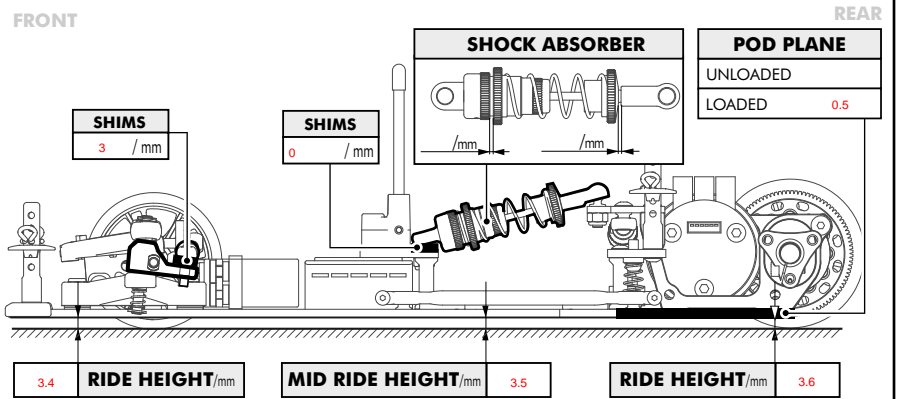
PINION / T	SPUR GEAR/T
FINAL DRIVE RATIO	ROLLOUT
	NaN

BRUSHED MOTOR	
BRAND	
ARMATURE	

BRUSHLESS MOTOR	
BRAND	
TURN	4.0
ROTOR	
TIMING	

ESC	
ESC SETTING	PROGRAM <input type="checkbox"/> PUNCH <input type="checkbox"/>
	INITIAL BRAKE <input type="checkbox"/> AUTO BRAKE <input type="checkbox"/>

BATTERIES	
BODY	AMR



COMMENTS
Glue on front tyre sidewalls.