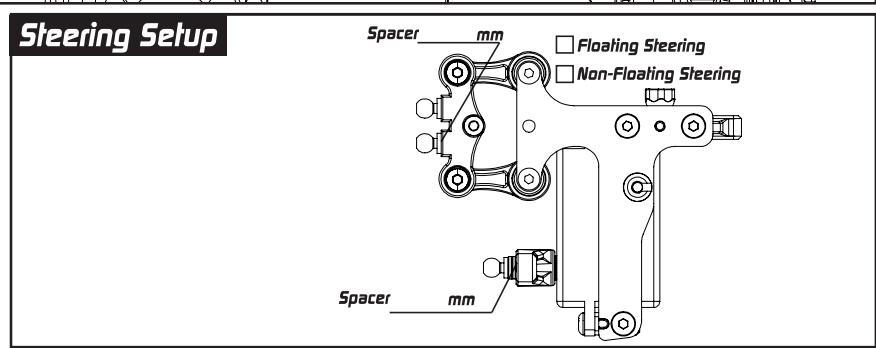
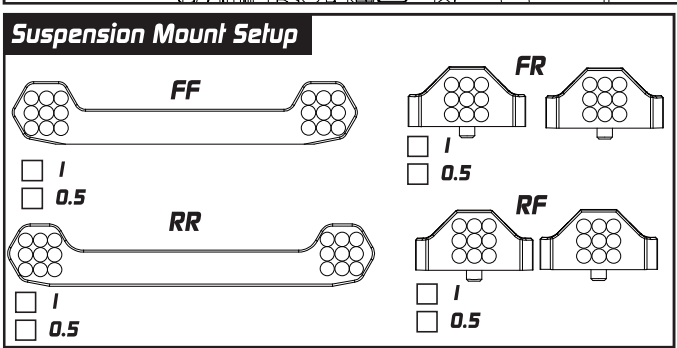
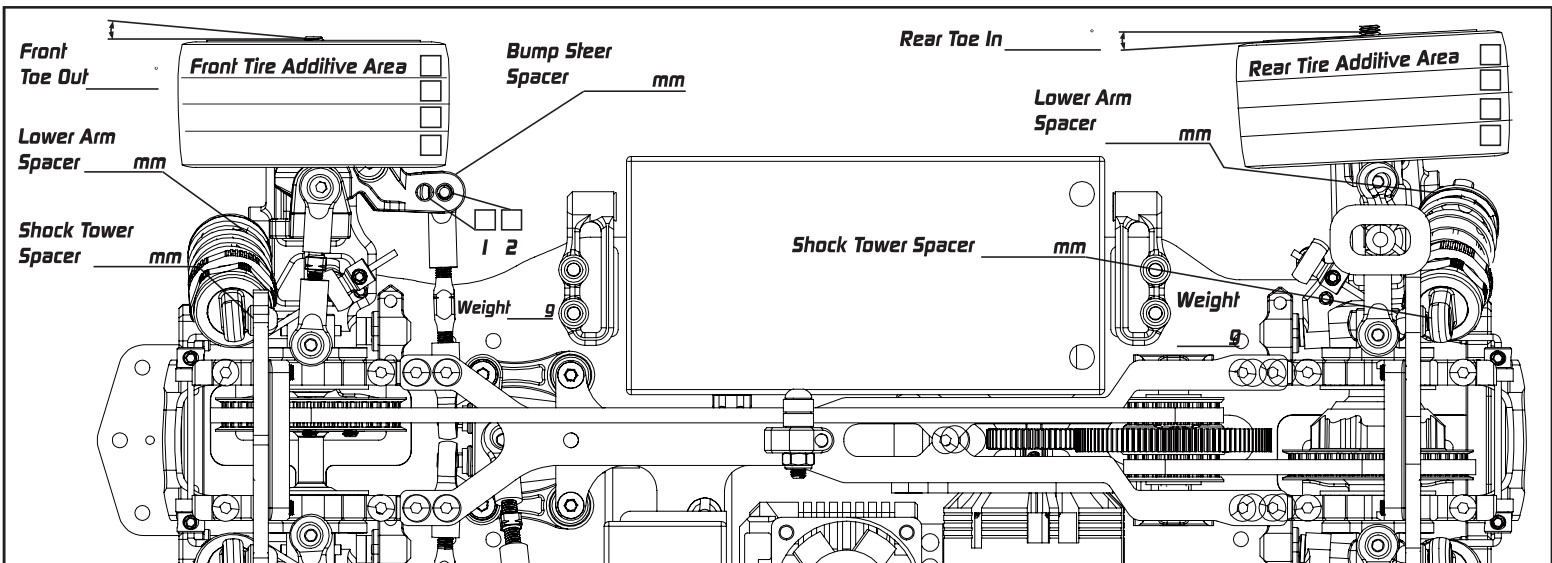
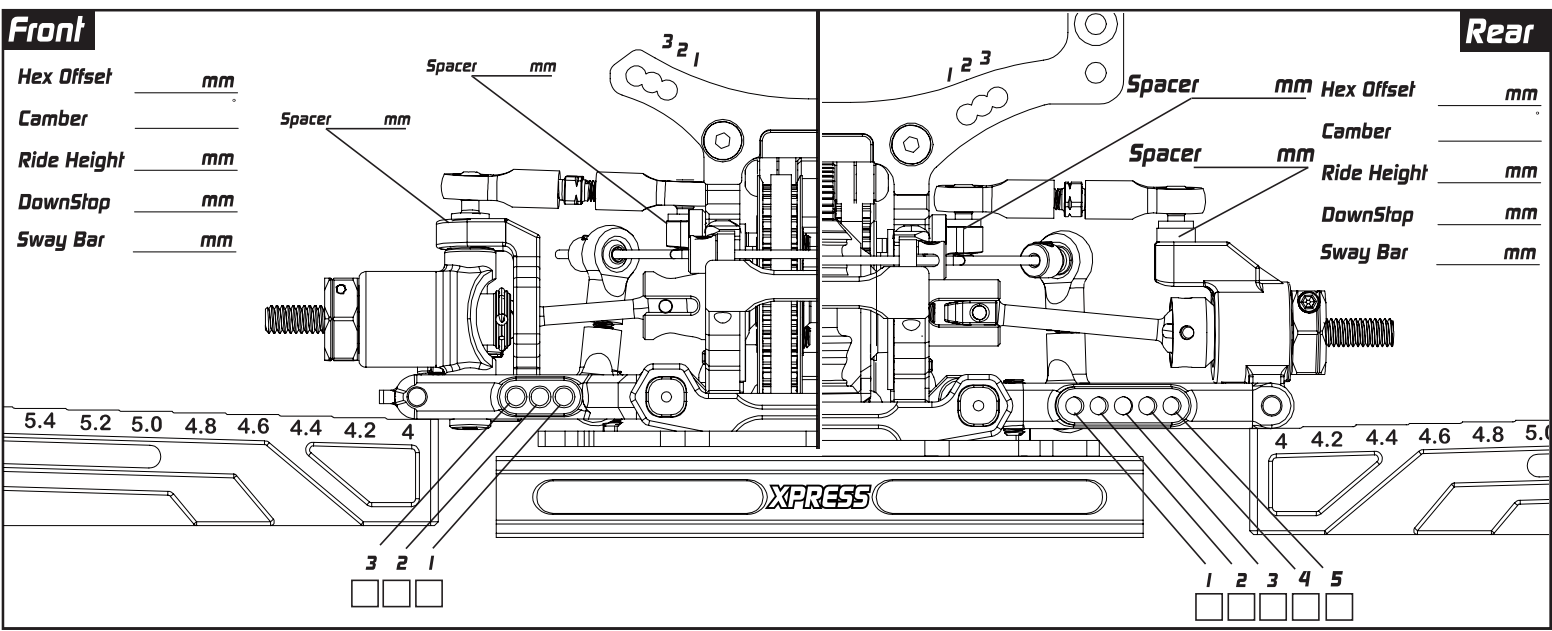


Driver _____ **Track Surface** Asphalt (Indoor/Outdoor) / Carpet - Bumpy / Smooth **Track Temperature** _____
Date _____ **Track Traction** Low / Medium / High _____ **Air Temperature** _____
Track _____ **Country** _____ **Best Lap** _____ **Humidity** _____ **Remark** _____



Damper Setup

	Front	Rear
Spring	_____	_____
Oil	_____	_____
Rebound	_____	_____
Piston	_____	_____
Length	_____	_____
Foam Insert	<input type="checkbox"/>	<input type="checkbox"/>
Hole In Cap	<input type="checkbox"/>	<input type="checkbox"/>

Transmission Setup

Front	Rear
Oil	_____
Weight	_____ g
Position	_____
	Gear Diff
	Oil _____
	Weight _____ g
	Position _____

Others

Servo _____ **Tires** _____
Esc _____ **Additive** _____
Motor _____ **Body** _____
Spur _____ P/ _____ T Rear Wing _____
Pinon _____ P/ _____ T FDR _____