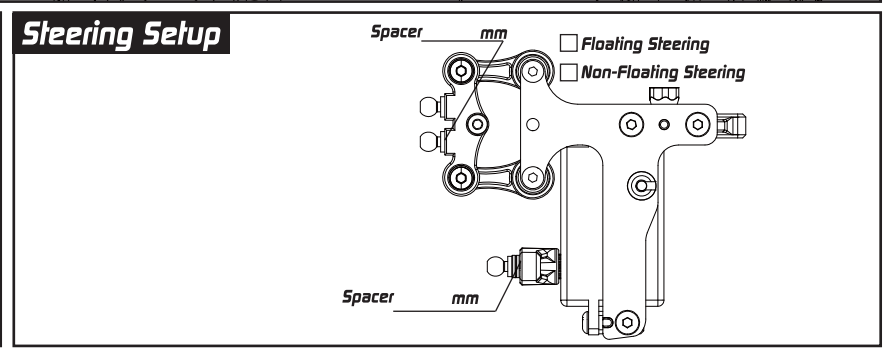
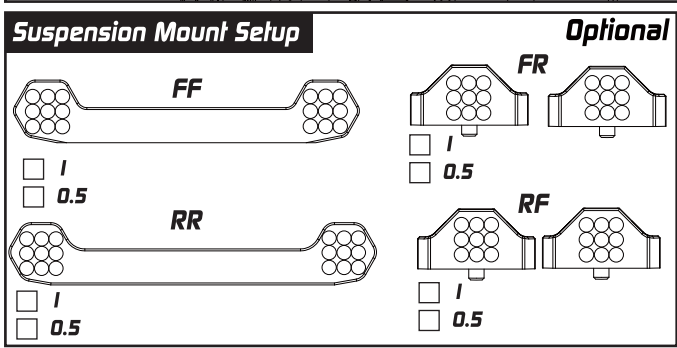
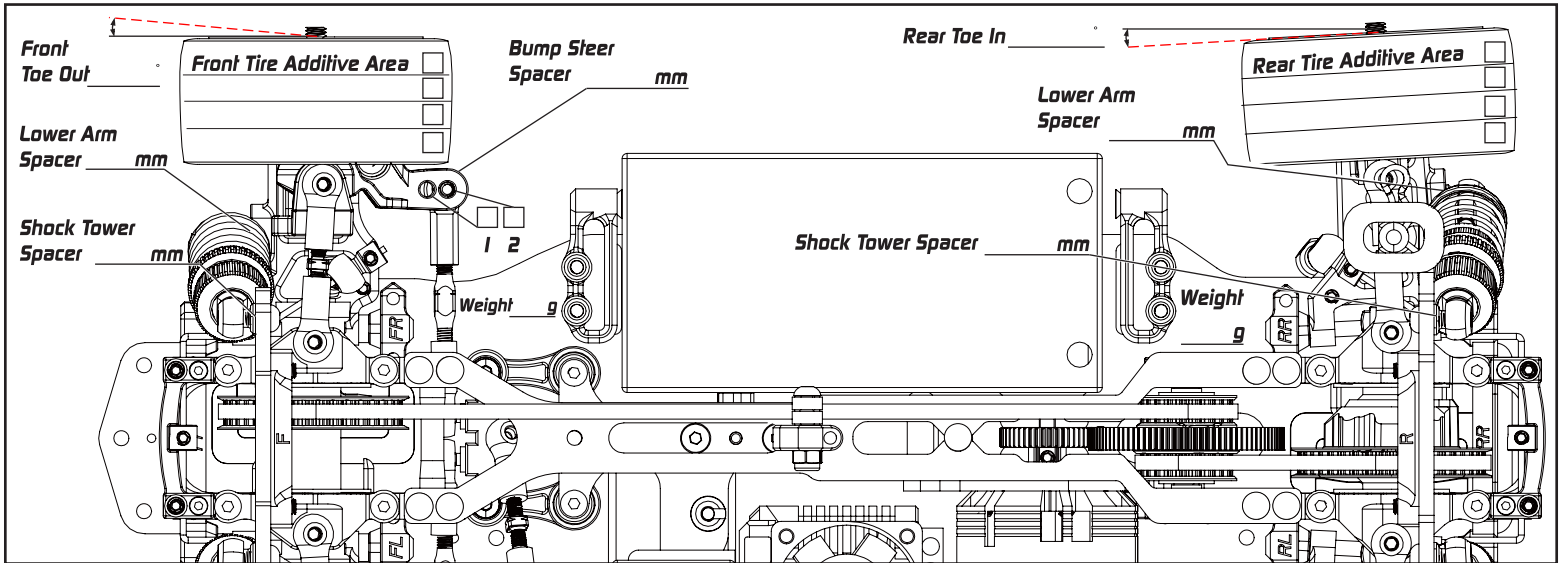
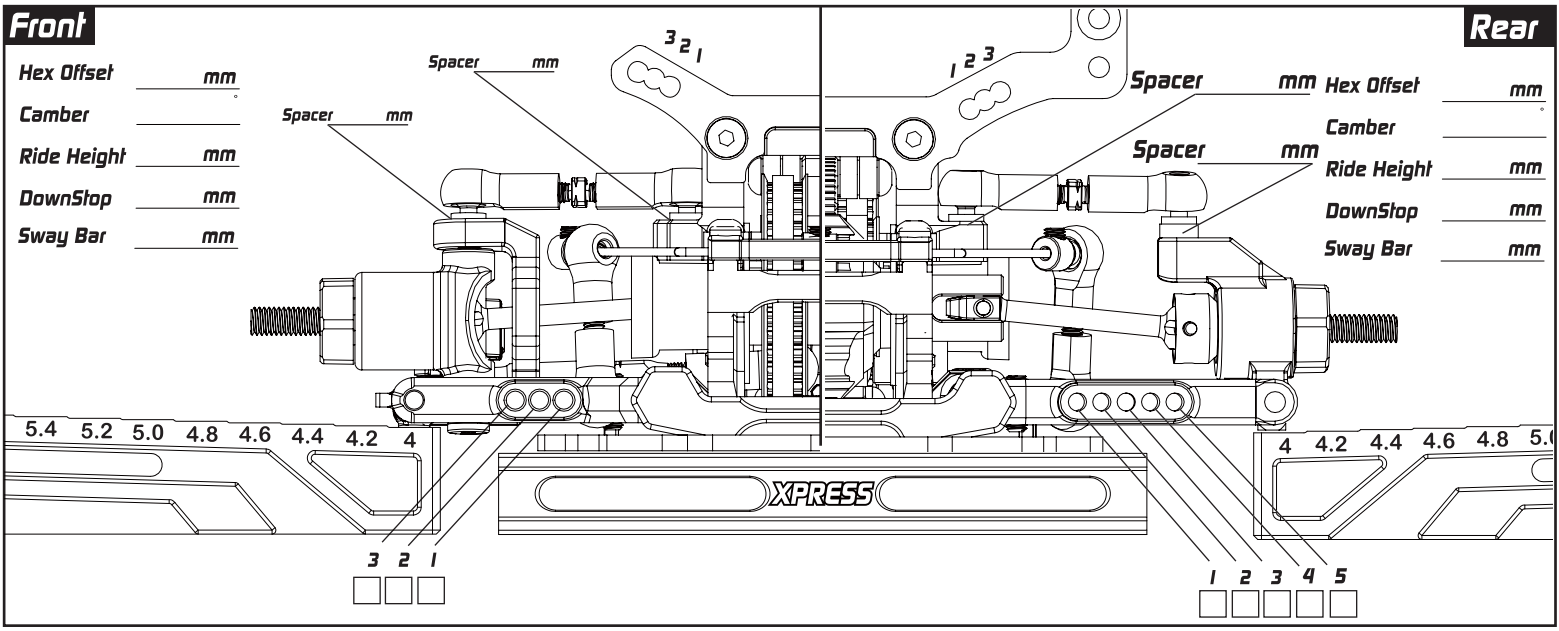


Driver _____ Track Surface Asphalt (Indoor/Outdoor) / Carpet - Bumpy / Smooth Track Temperature _____

Date _____ Track Traction Low / Medium / High Air Temperature _____

Track _____ Country _____ Best Lap _____ Humidity _____ Remark _____



Damper Setup

	Front	Rear
Spring	_____	_____
Oil	_____	_____
Rebound	_____	_____
Piston	_____	_____
Length	_____	_____
Foam Insert	<input type="checkbox"/>	Foam Insert <input type="checkbox"/>
Hole In Cap	<input type="checkbox"/>	Hole In Cap <input type="checkbox"/>

Transmission Setup

Front	Rear
Oil	Gear Diff _____
Weight _____ g	Oil _____
Position _____	Weight _____ g
	Position _____

Others

Servo _____ Tires _____

Esc _____ Additive _____

Motor _____ Body _____

Spur _____ P/ _____ T Rear Wing _____

Pinon _____ P/ _____ T FDR _____