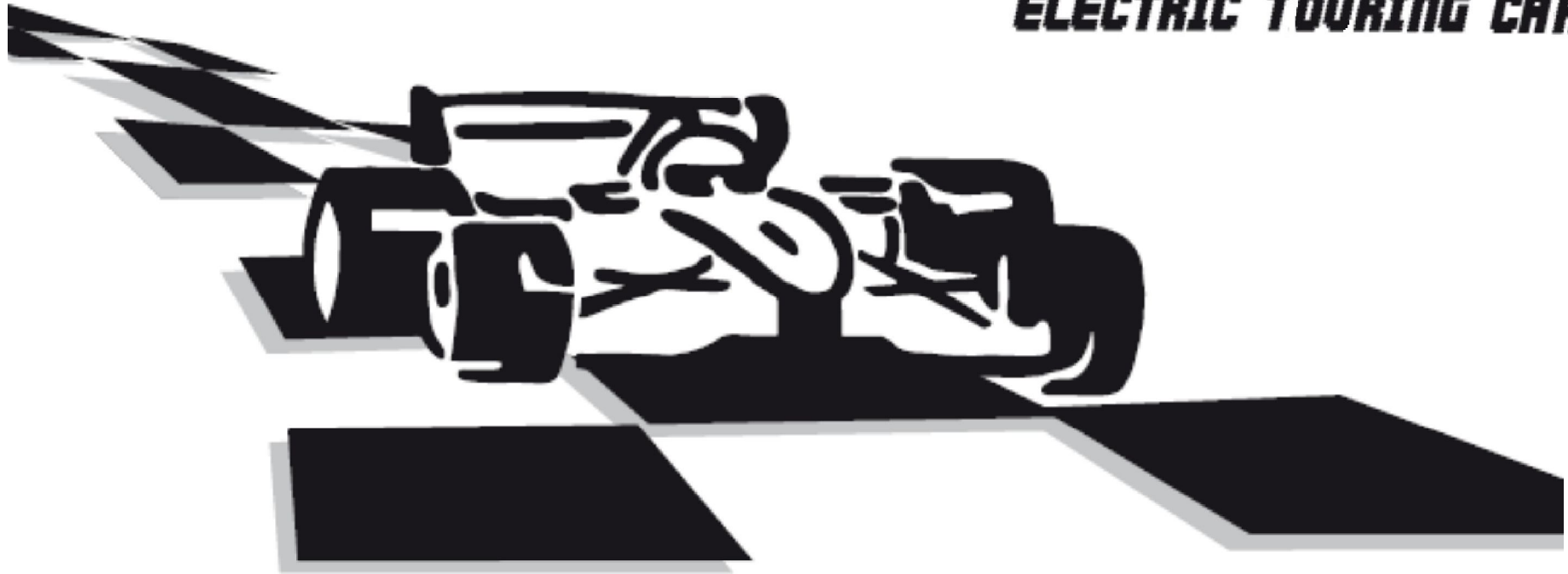


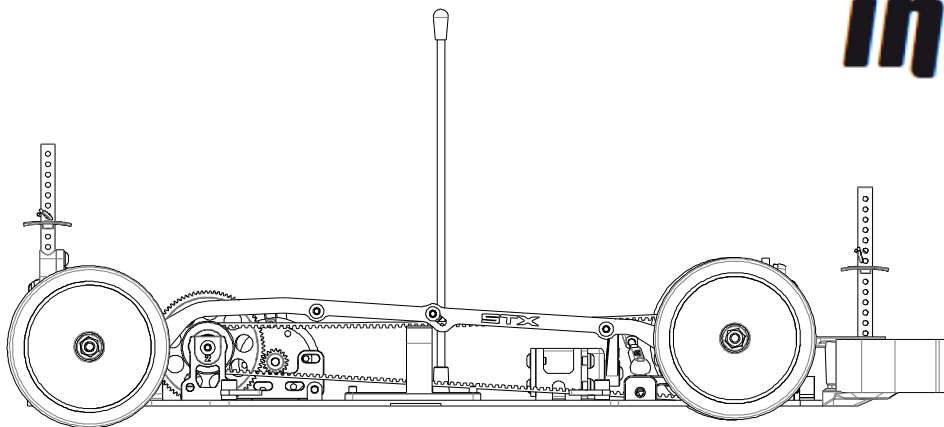
# STX

M A D E I N I T A L Y

**1:10 SCALE  
ELECTRIC TOURING CAR**



***instruction manual***





## INTRODUCTION

STX is a new generation high quality 1/10 scale touring car.  
STX is supplied in a box equipped with Instruction Manual.  
Its use is intended for more than 16 years old persons with experience on rc model car field.  
Children and all the persons without this requirement MUST have direct supervision of a knowledgeable adult responsible.

## SAFETY PRECAUTIONS

Instruction Manual MUST be read and fully understood before to start building and operating functions.  
Always keep Instruction Manual in safety place, ready to be consulted for any reference you need.  
Use only original WRC spare parts.

## GENERAL INFORMATION

Assemble the kit only away from the reach of children.  
Follow the building and operating instructions using the utmost care.  
Don't put any part of your body inside rotating and moving elements as this may cause damage or serious injury.  
Check and clean the model before putting it away.  
Don't use your model car in public places or in roads and areas where it could generate conflict with person or vehicular traffic.  
The model car is controlled by radio: you MUST put great care to avoid loss of radio control always keeping a safety margin all around your model in order to prevent any collision.  
Operating frequency: check and be sure it is clear and not shared with anybody at same time; it could cause loss of control of the RC model.  
Always turn on your transmitter before you turn on the receiver in the car and always turn off the receiver before you turn off your transmitter.  
Keep the wheels of the model off the ground when checking the operation of the radio equipment.  
Disconnect the battery pack before storing your model.

## WARRANTY

WRC guarantees this model kit to be free from defects in both material and workmanship within 30 days of purchase.  
The total monetary value under warranty will in no case exceed the cost of the original kit purchased.  
This warranty doesn't cover any components damaged by use or modification or as result of wear.  
Part or parts missing from this kit must be reported within 30 days of purchase.  
No part or parts will be sent under warranty without proof of purchase.  
If you find a defective or missing part, contact the local distributor.  
Customer service and support will be provided through local hobby store.  
No warranties are expressed or implied that cover damage caused by what is considered normal use or cover or imply how long any model cars' components or electric components will last before requiring replacement.  
Due to the high performance level of this model car you will need to periodically maintain and replace consumable components; any and all warranty coverage will not cover replacement of any part or component damaged by neglect, abuse or improper or unreasonable use.  
This includes but is not limited to damage from crashing, excessive moisture, improper use or no maintenance or user modifications which compromise the integrity of components.  
Warranty will not cover components that are considered consumable on RC model car.  
WRC doesn't pay nor refund on any component sent from WRC or its distributor for warranty.  
WRC reserves the right to make final determination of the warranty status of any component or part  
Use only original WRC spare part:

## CUSTOMER SUPPORT

Please don't hesitate to contact WRC support at [info@wrc-racing.com](mailto:info@wrc-racing.com) for any problem or question.  
Also kindly visit our website [www.wrc-racing.com](http://www.wrc-racing.com) to find last updates, set-up information, option parts and other information.

### W.R.C. world racing car s.r.l.

Via Meucci, 23/B  
36040 Brendola (VI)  
ITALY

Phone: 0039 0 444 401138  
fax: 0039 0 444 401139  
E-mail: [info@wrc-racing.com](mailto:info@wrc-racing.com)  
Website: [www.wrc-racing.com](http://www.wrc-racing.com)



GAV Group

## TECHNICAL INFORMATION

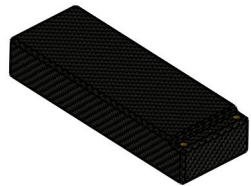
- TRANSMISSION: 4 DRIVE WHEELS
- BODY: TOURING MODEL (NOT INCLUDED)
- ADJUSTABLE FRONT TOE, CAMBER AND CASTER
- ADJUSTABLE REAR TOE AND CAMBER
- BUMPER /FRONT BACKSTOP
- CARBON CHASSIS
- FULL BALL BEARING
- DIFFERENTIAL GEAR

## TECHNICAL DATA

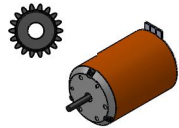
- LENGHT ..... 373 MM.
- WIDTH ..... 187 MM.
- ADJUSTABLE WHEEL BASE .....MIN. 250 MM. - MAX 256 MM.
- WEIGHT CHASSIS .....1350 GR.

## REQUIRED BUT NOT INCLUDED IN THE KIT

ADDITIONAL ITEMS NEEDED FOR COMPLETION



LIPO BATTERY 7.4 V.



ELECTRIC MOTOR  
PINION GEAR



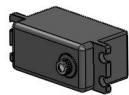
TRANSMITTER



RECEIVER



SPEED CONTROLLER



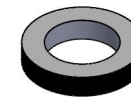
LOW PROFILE STEERING SERVO



AA ALKALINE BATTERIES  
FOR TRANSMITTER



WHEEL - TYRES - INSERTS



LIPO BATTERY TAPE



LEXAN BODY

## TOOLS REQUIRED

THESE TOOLS ARE NOT INCLUDED IN THE KIT BUT ARE REQUIRED FOR PROPER ASSEMBLY



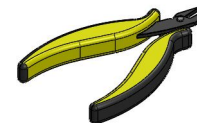
SOCKET:  
5.5 MM.  
7.0 MM.



ALLEN:  
1.5 MM.  
2.0 MM.  
3.0 MM.



RING PLIERS



SIDE CUTTER



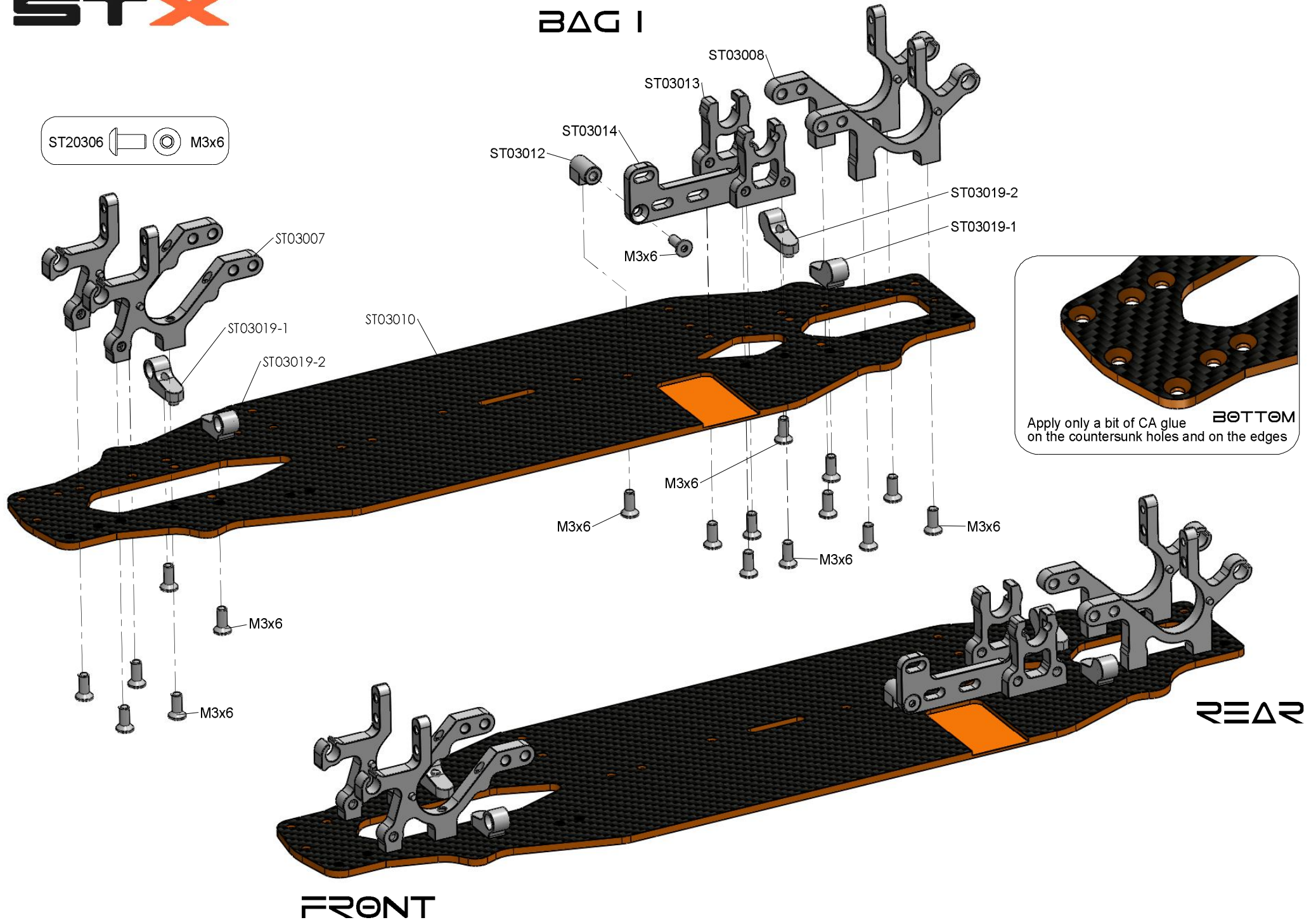
SCISSORS

## NOTICE:

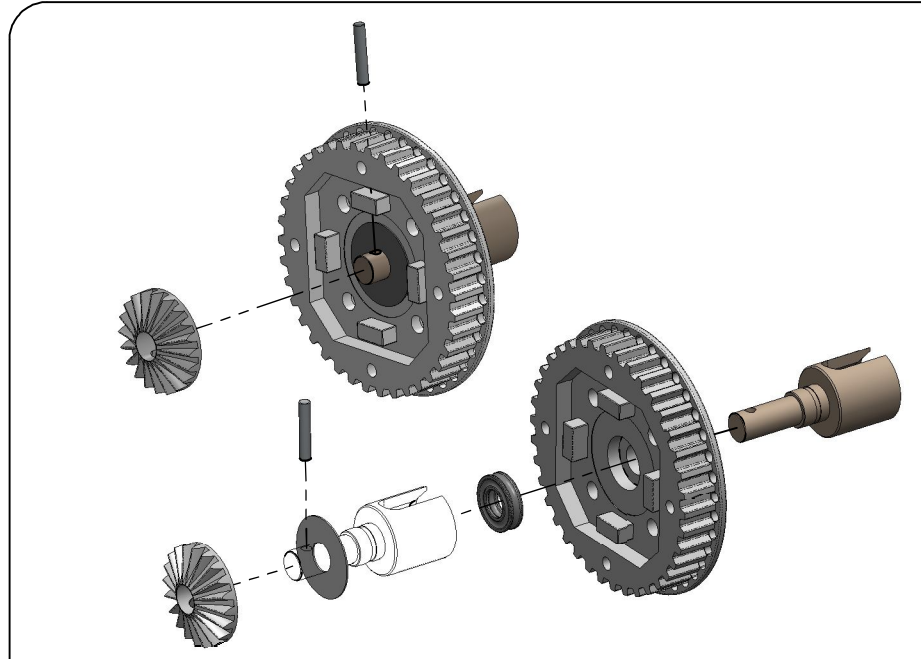
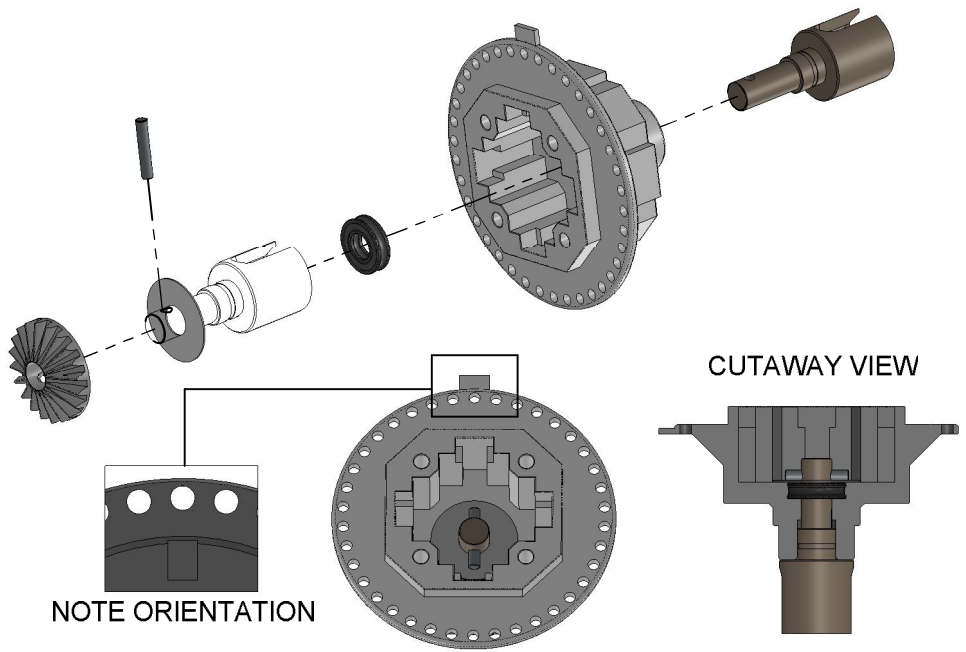
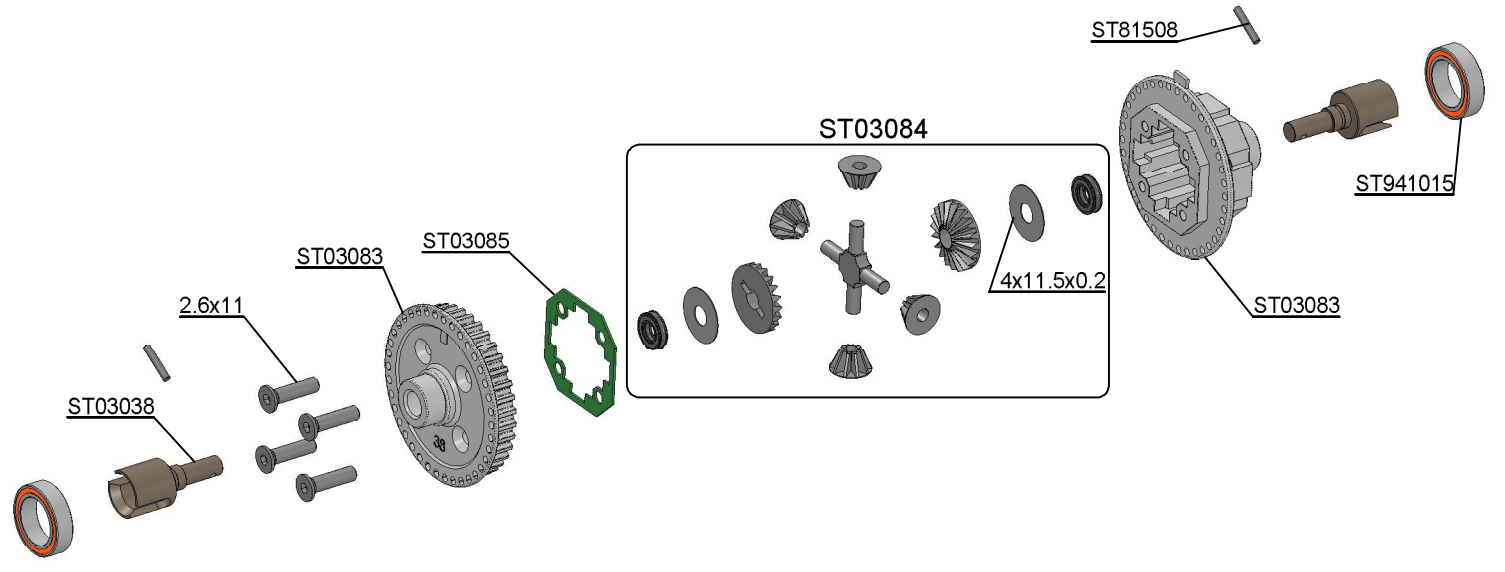
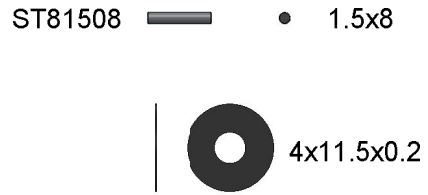
THE FOLOWING ITEMS ARE NEEDED FOR COMPLETION PF THE STX; THEY ARE NOT INCLUDED IN THIS KIT (UNLESS NOTED) AND SHOULD BE OBTAINED FROM YOUR LOCAL HOBBY SHOP. BE SURE TO READ THE INSTRUCTION COMPLETELY PRIOR TO ASSEMBLY

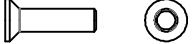
## BAG 1

ST20306  M3x6

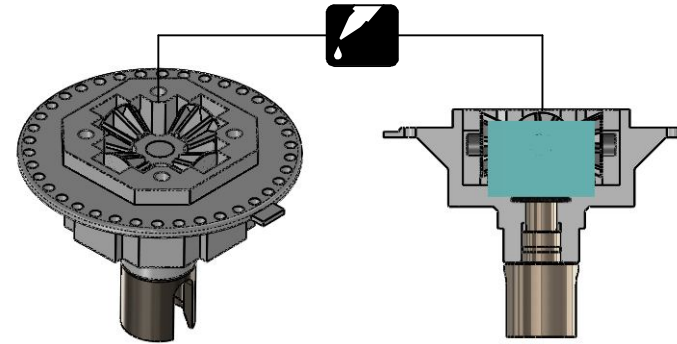
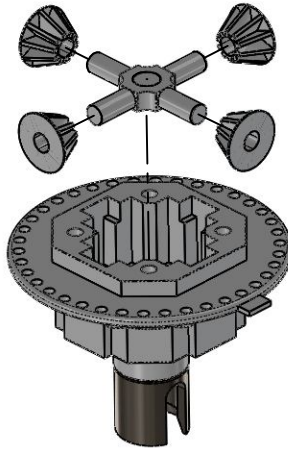




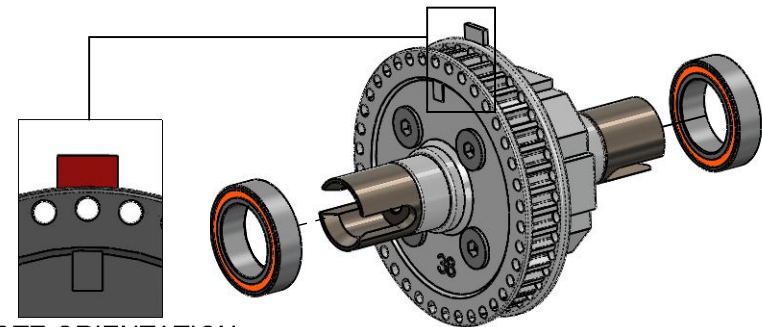
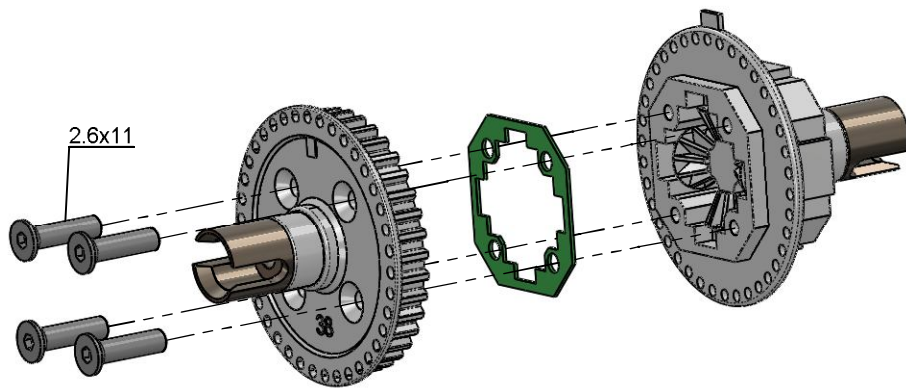


ST52611  2.6x11

ST941015  10X15x4



Fill the differential up to the top of the pin.  
DO NOT fill the diff. to the top of the housing.



NOTE ORIENTATION  
Cut red area after assembly.

ST941015



10x15x4

ST30312



M3x12

ST940510



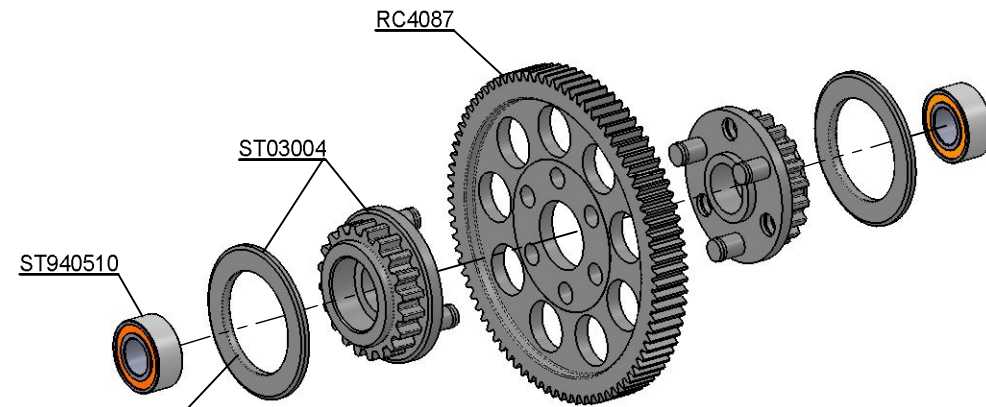
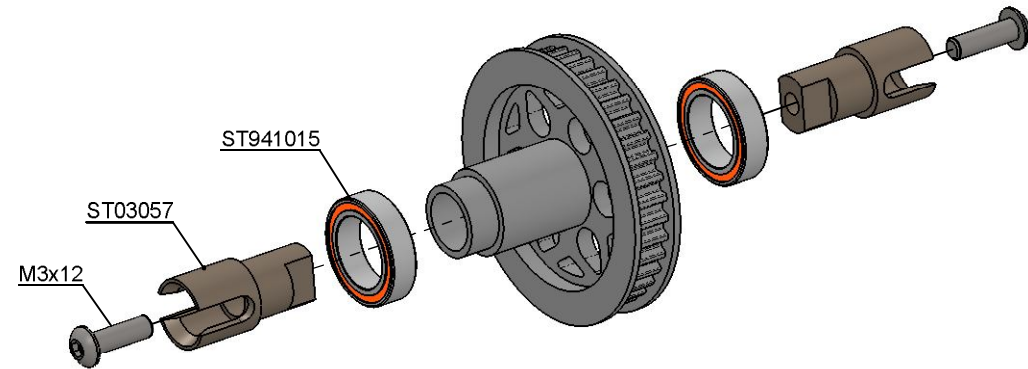
5x10x4

### SPUR GEAR P48

RC4078	78 T
RC4084	84 T
RC4087	87 T

### SPUR GEAR P64

RC6092	92 T
RC6096	96 T
RC60100	100 T
RC60104	104 T
RC60106	106 T
RC60108	108 T
RC60110	110 T
RC60112	112 T
RC60114	114 T
RC60116	116 T
RC60118	118 T

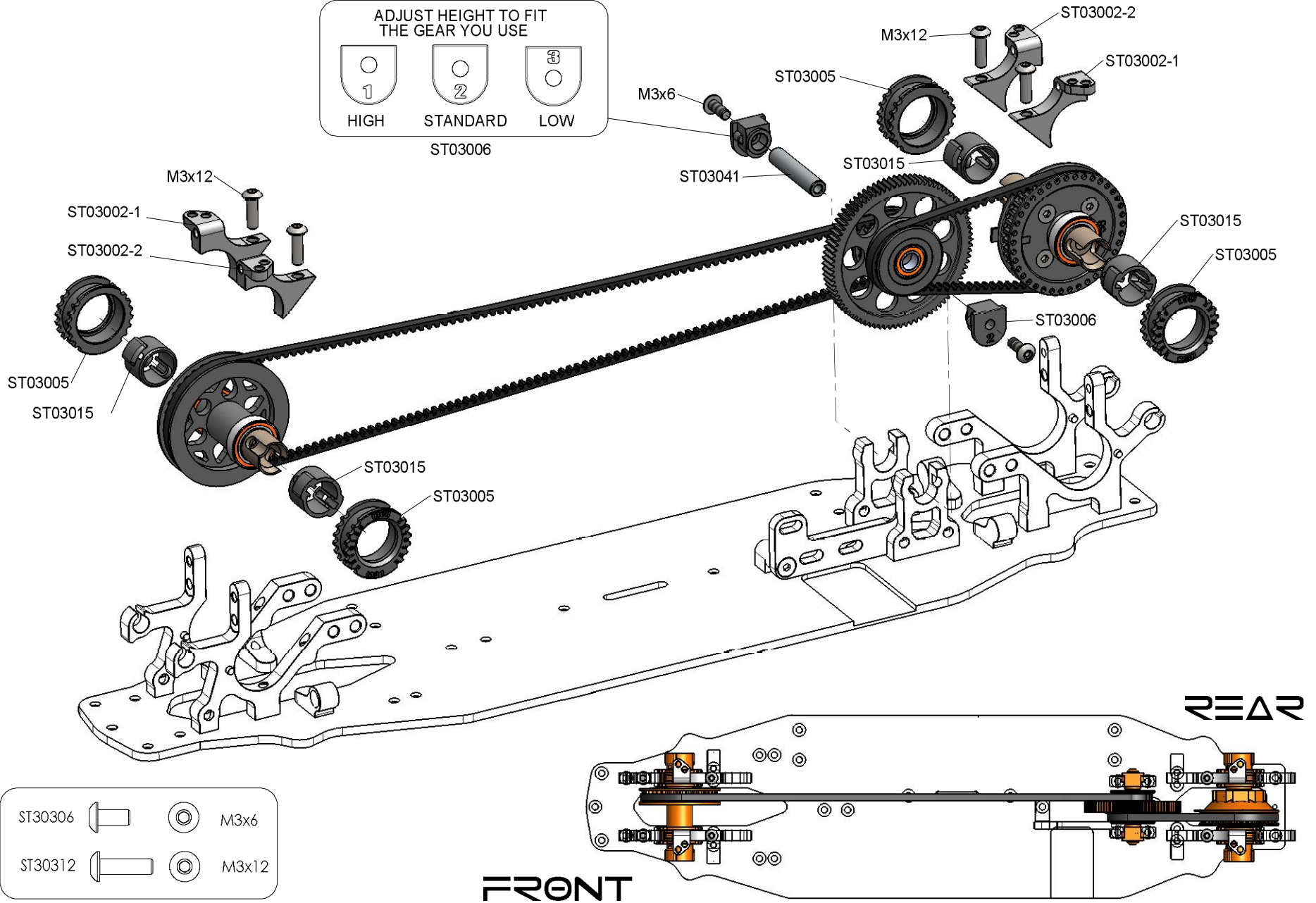


Apply only a bit of CA glue  
on the surface

ADJUST HEIGHT TO FIT THE GEAR YOU USE

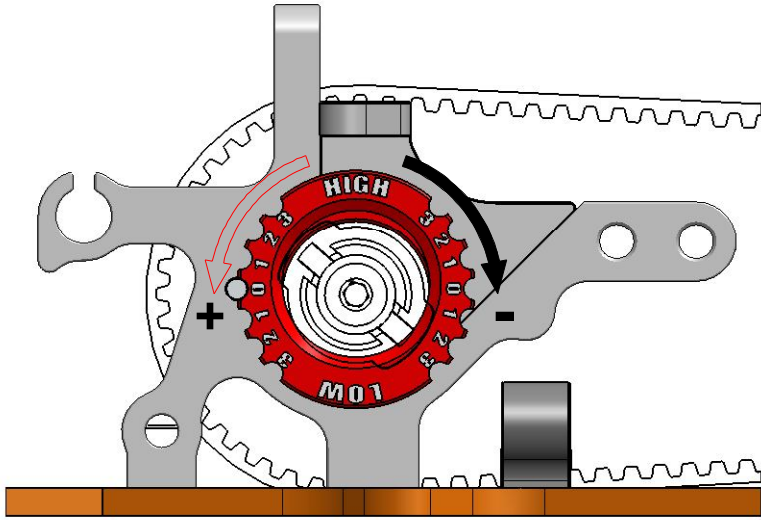
HIGH	STANDARD	LOW

ST03006



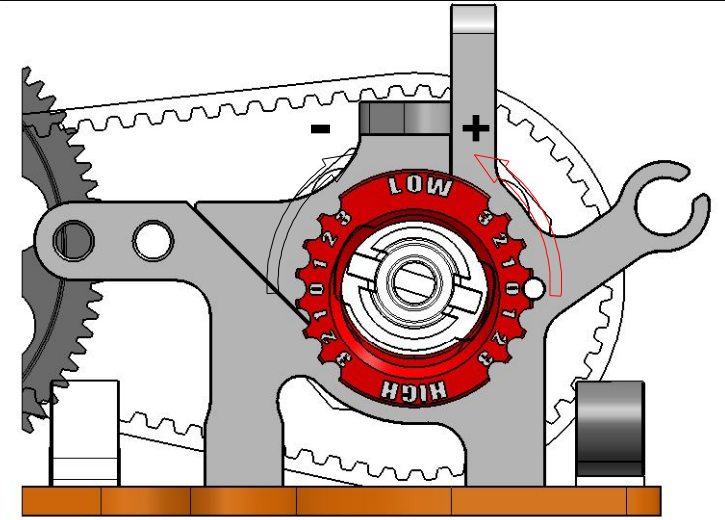
ST03006			M3x6
ST03012			M3x12





FRONT BELT ADJUSTMENT

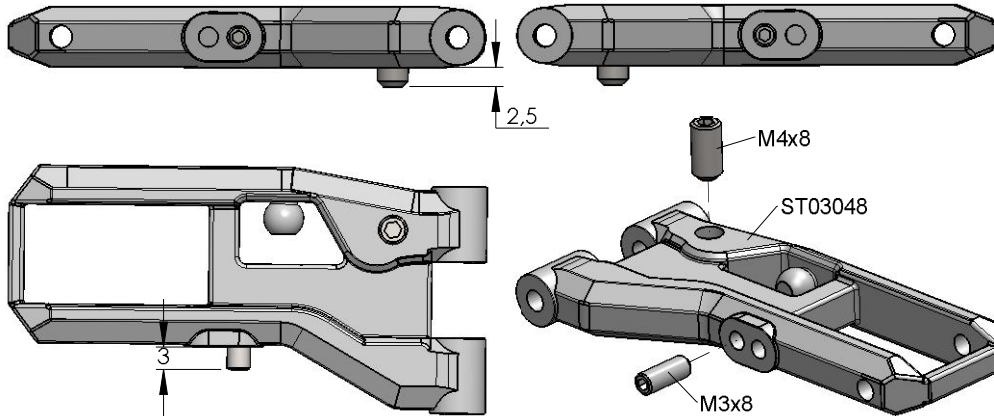
Adjust belt tension at the end of the assembly of all the parts to get the best chassis balancing

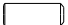





REAR BELT ADJUSTMENT

## BAG 4

### FRONT

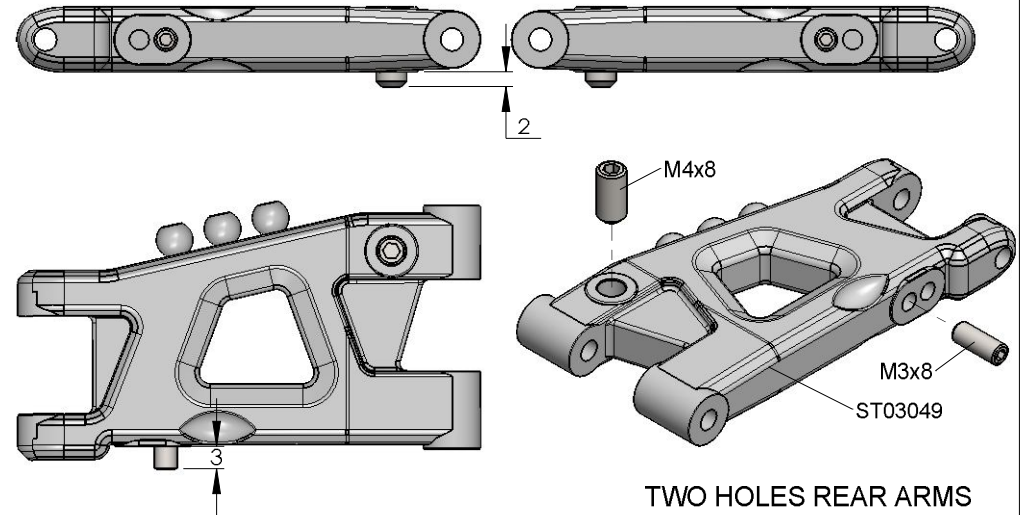


- ST40308   M3 x 8
- ST40408   M4 x 8

#### TWO HOLES FRONT ARMS

Inner position: more steering  
Outer position: more stable



### REAR




#### TWO HOLES REAR ARMS

Inner position: more rear traction  
Outer position: more stable

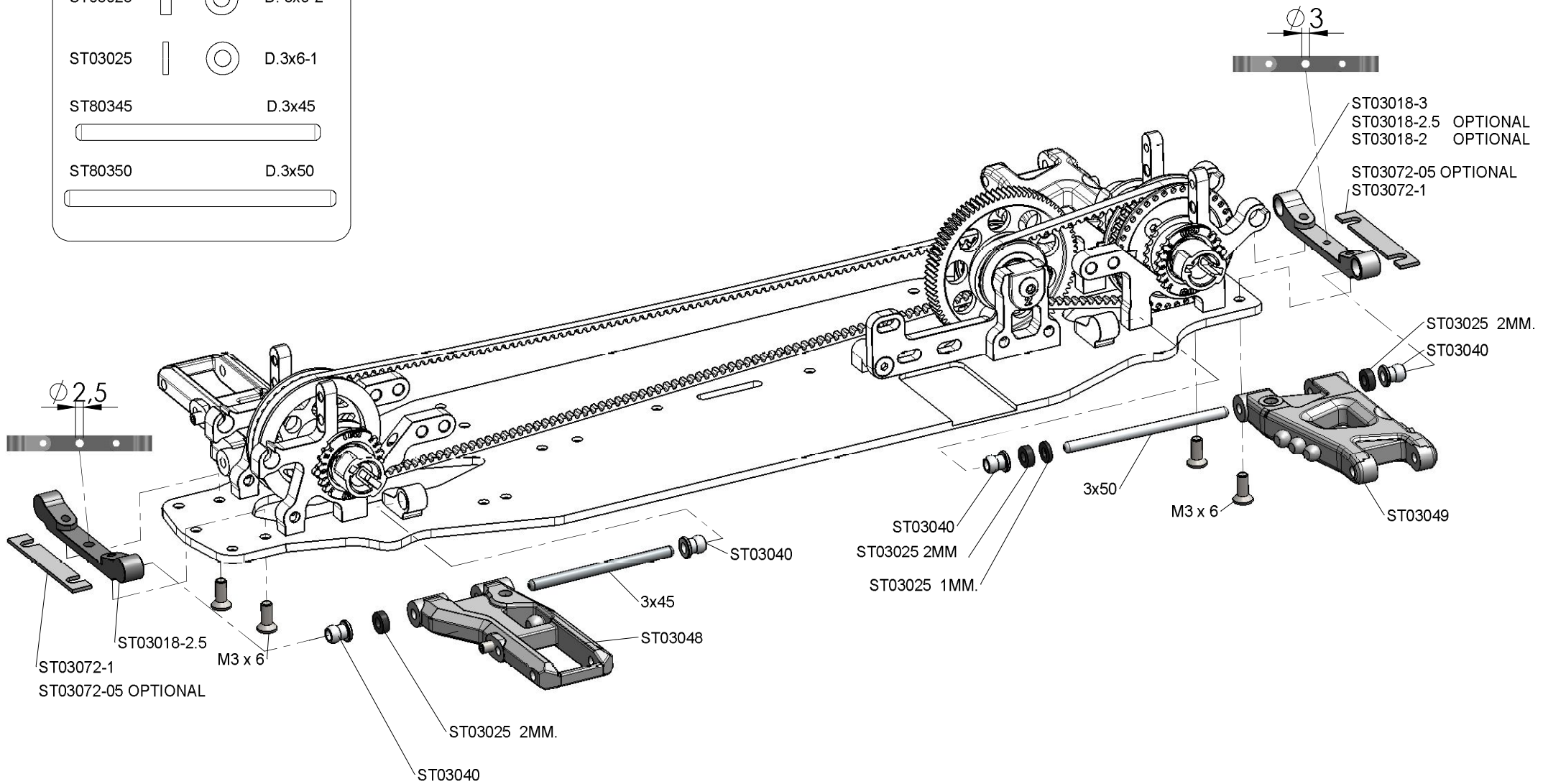
ST20306  M3 x 6





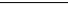

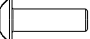

ST03025   D. 3x6-2

ST03025   D.3x6-1

ST80345  D.3x45

ST80350  D.3x50



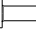

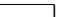



   
 ST940510 5x10-4  
   
 ST10205 M2x5  
   
 ST80210 2x10  
   
 ST30310 M3x10

**RIGHT**  
 ST03071-DX  
 ST03075 SHORT  
 ST03076 LONG  
 M3x10  
**LEFT**  
 ST03071-SX

ST940510 ST03026  
 ST940510  
 ST80210 ST03054  
 ST03082  
 M2x5

**LEFT - RIGHT FRONT SUSPENSION**

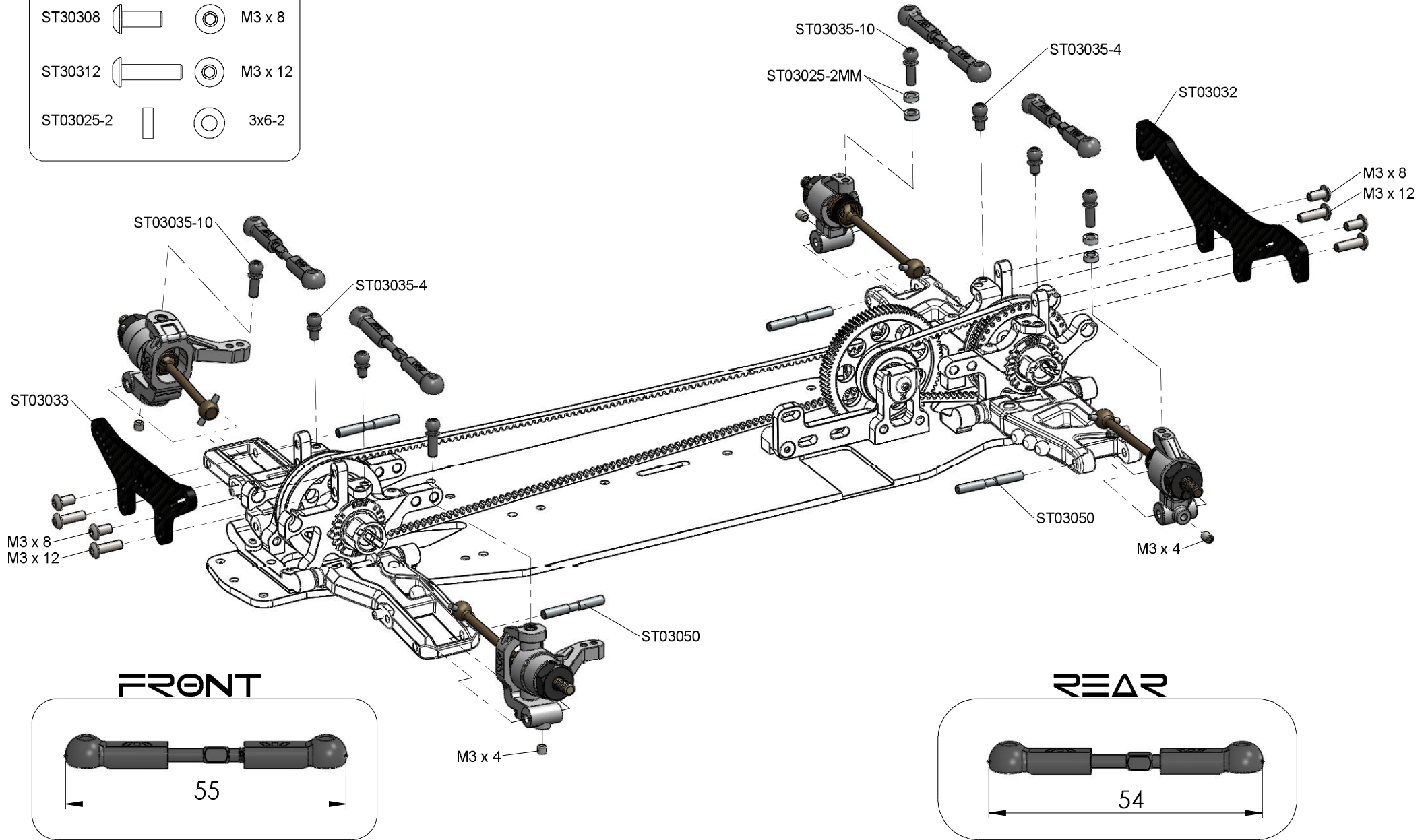
   
 ST940510 5x10-4  
   
 ST10205 M2x5  
   
 ST80210 2x10

**LEFT**  
 ST03027  
**RIGHT**  
 ST80210  
 M2x5  
 ST03082  
 ST03027

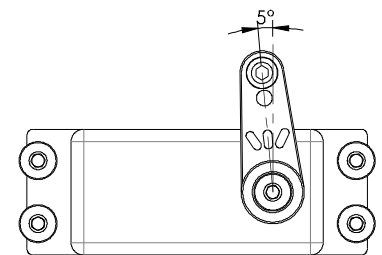
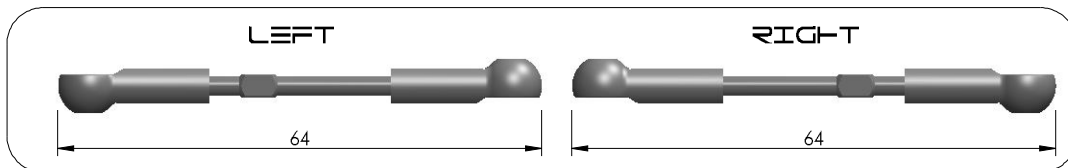
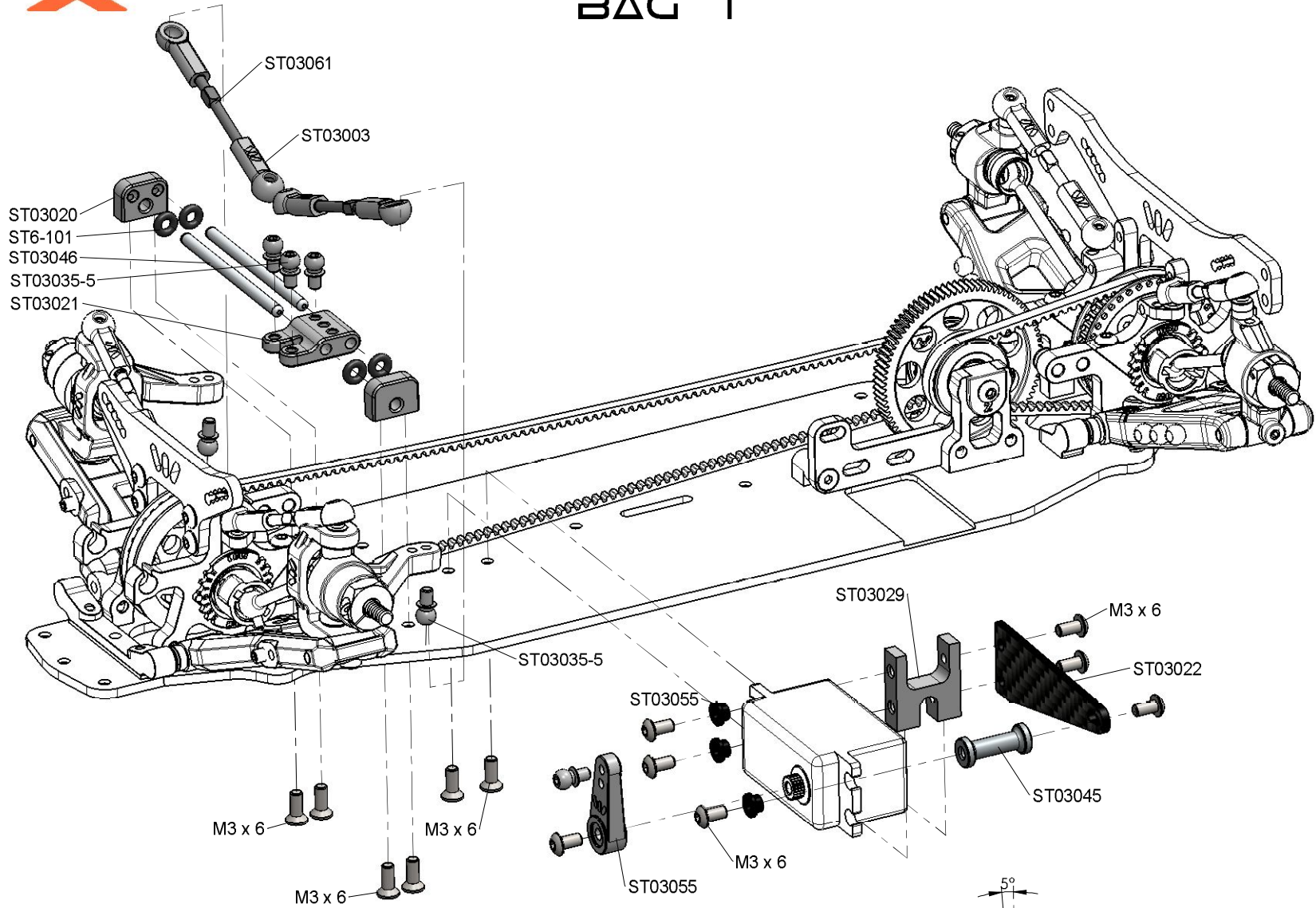
ST940510 ST03027  
 ST940510  
 ST03056

**LEFT - RIGHT REAR SUSPENSION**

ST40304			M3 x 4
ST30308			M3 x 8
ST30312			M3 x 12
ST03025-2			3x6-2








ST6-101			
ST20306			M3 x 6
ST30306			M3 x 6

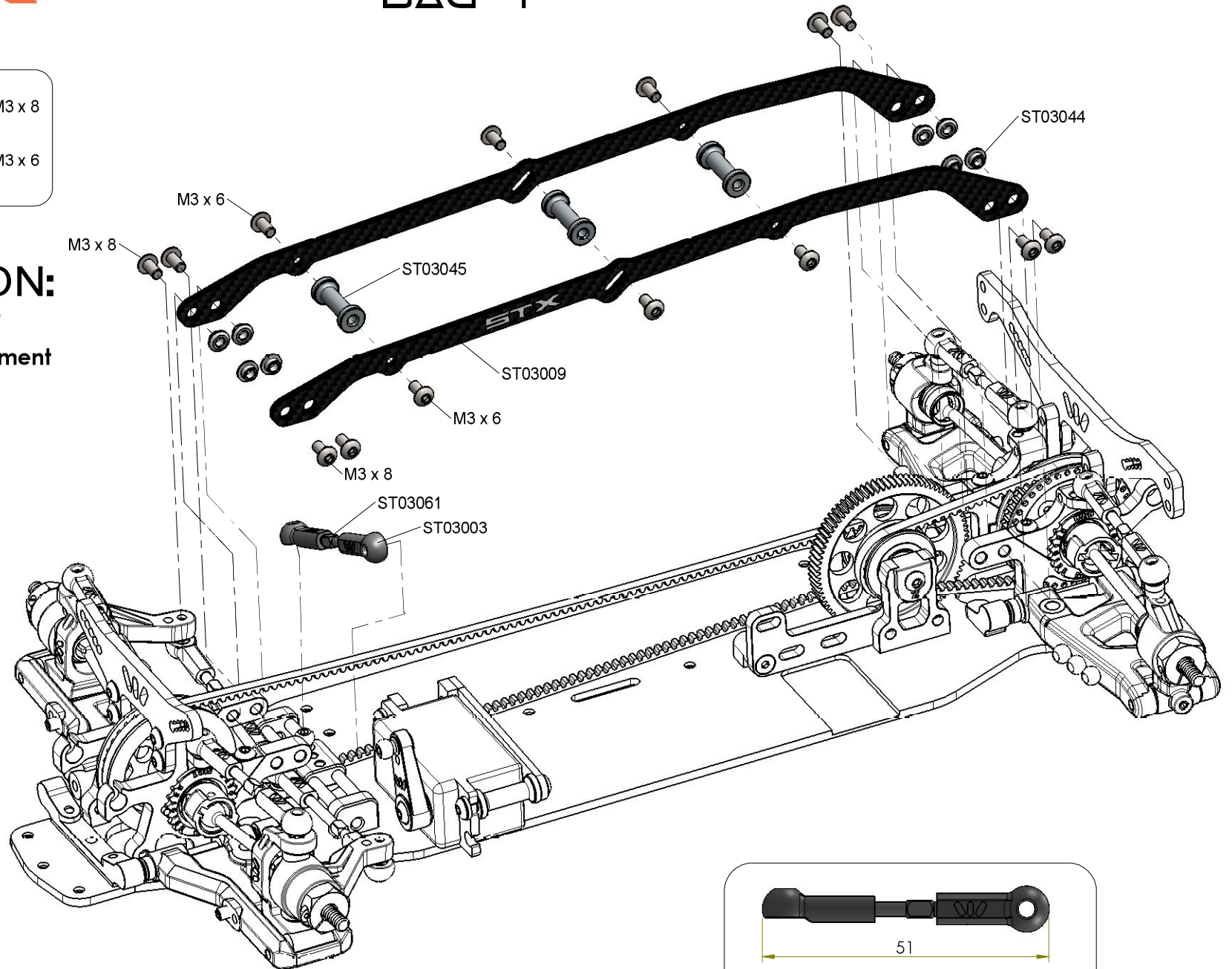
# STX

## BAG 7

ST30308   M3 x 8

ST30306   M3 x 6



**ATTENTION:**  
Before to tighten the  
screws M3x8  
check correct alignment  
of the chassis

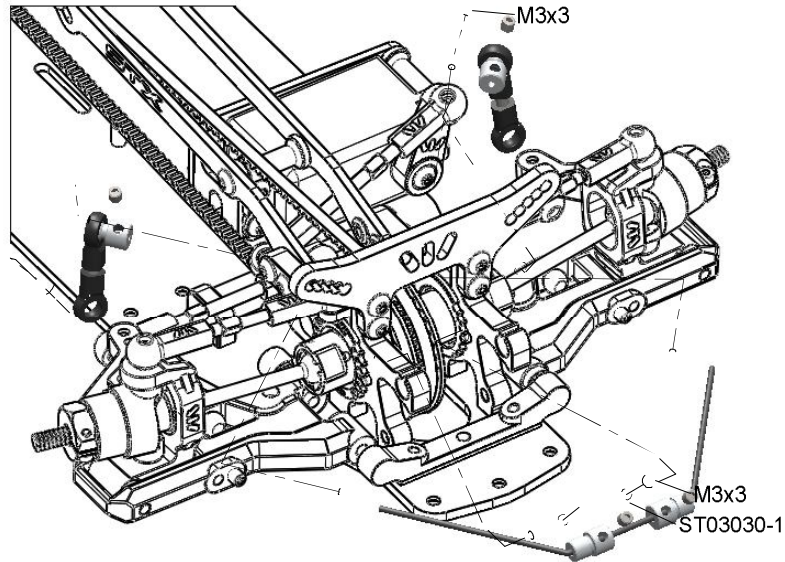
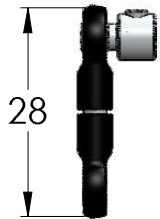
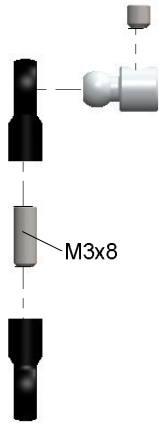


SERVO LINK: Adjust to fit your servo



ST40303  

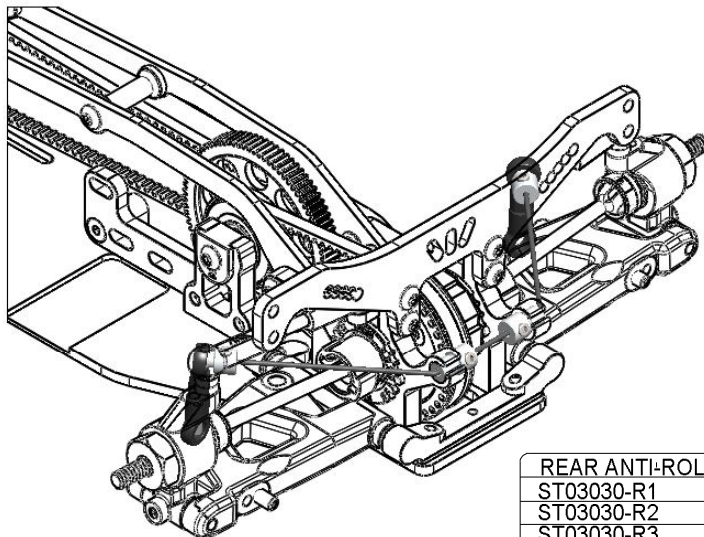
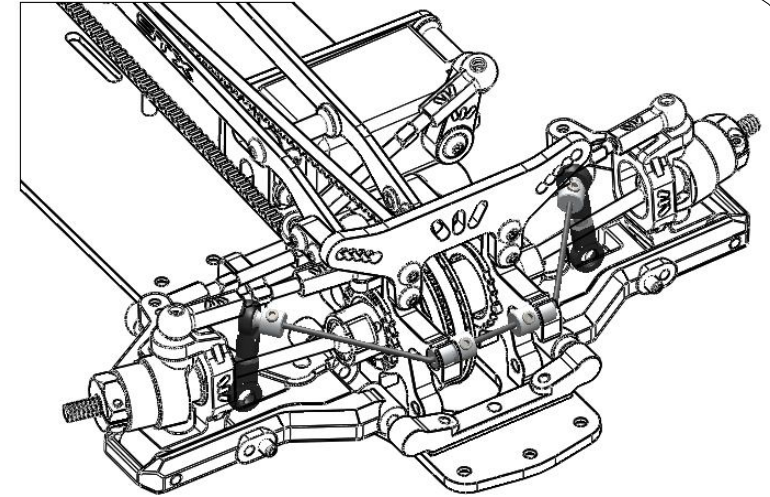
ST40308  



### FRONT ANTI-ROLL BAR

ST03030-F3	1.3 MM
ST03030-F4	1.4 MM
ST03030-F5	1.5 MM

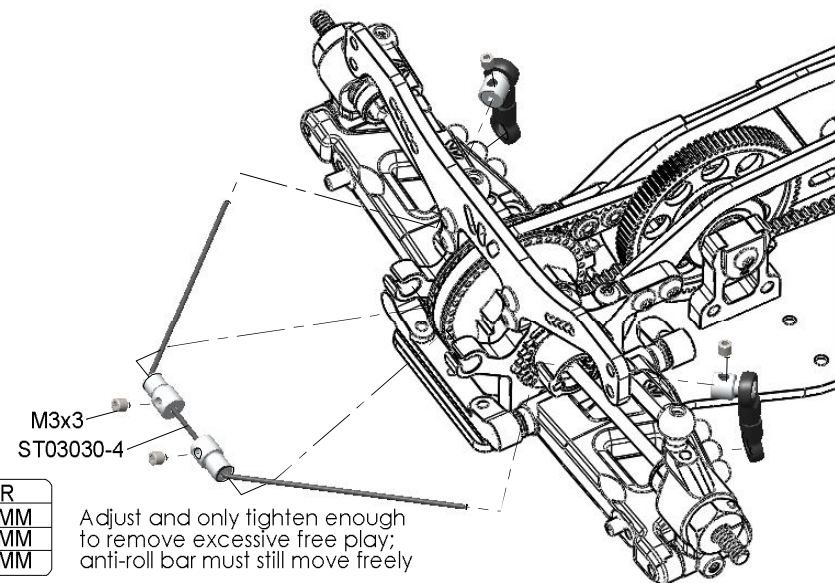
Adjust and only tighten enough to remove excessive free play; anti-roll bar must still move freely



### REAR ANTI-ROLL BAR

ST03030-R1	1.1 MM
ST03030-R2	1.2 MM
ST03030-R3	1.3 MM

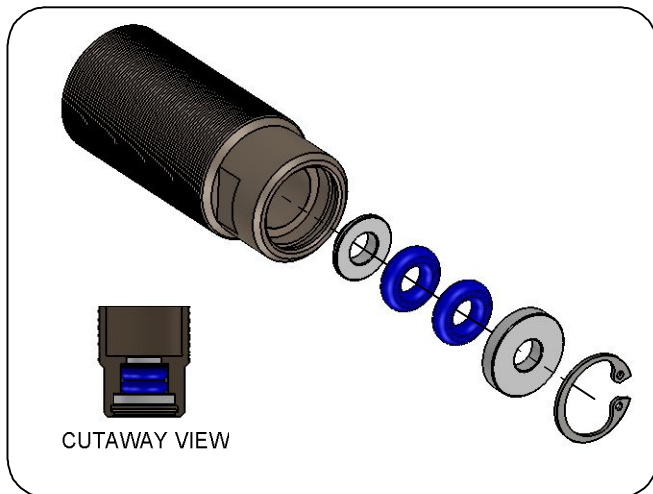
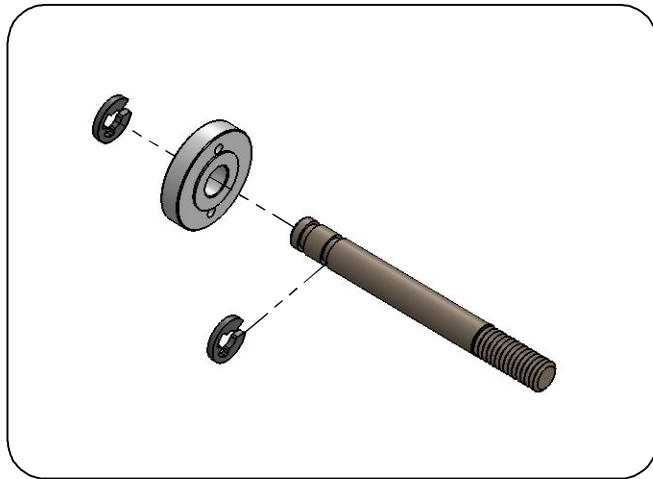
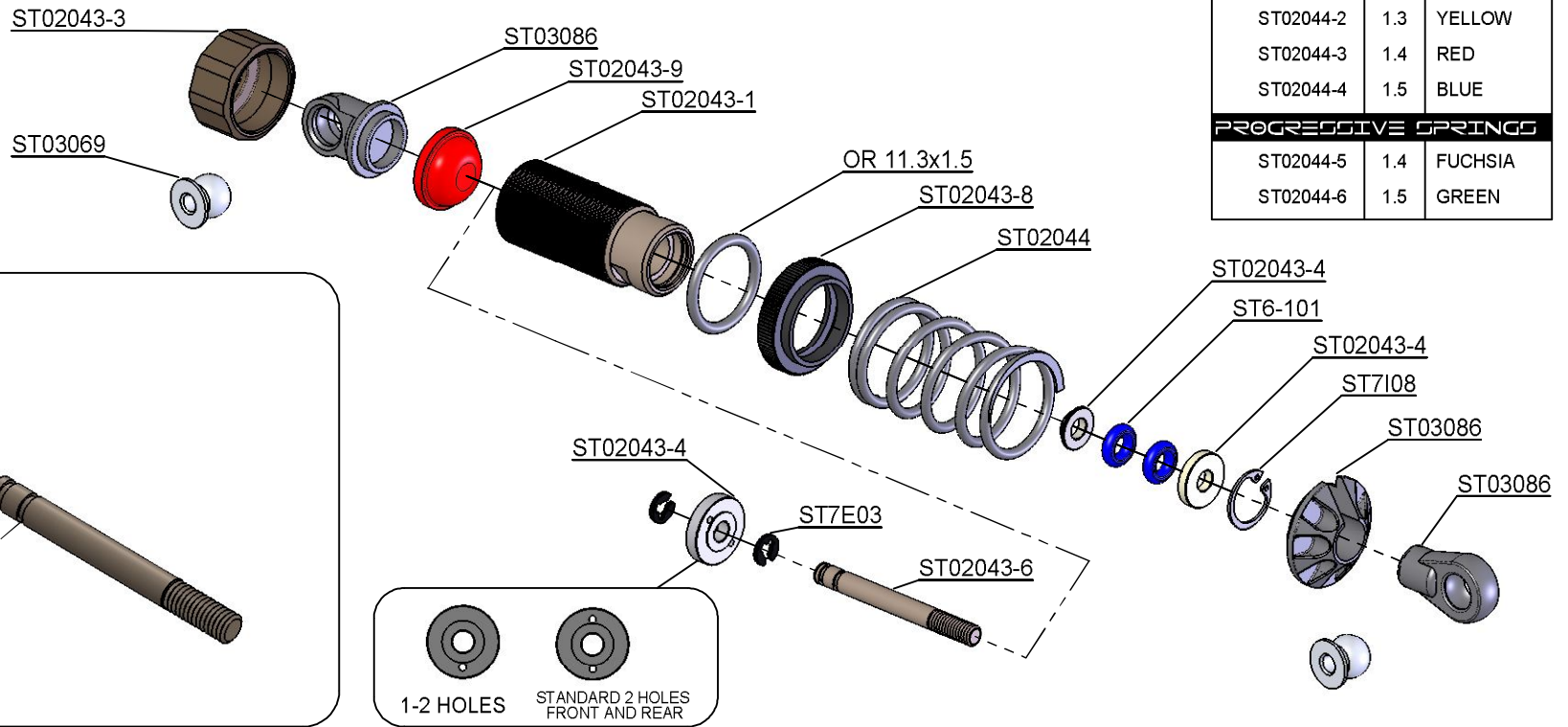
Adjust and only tighten enough to remove excessive free play; anti-roll bar must still move freely



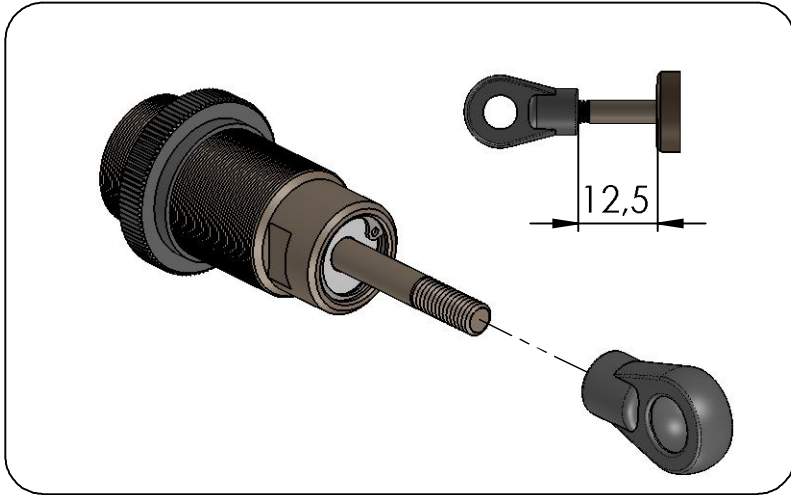
# STX

## BAG 9

SPRINGS		
ST02044-1	1.2	BLACK
ST02044-2	1.3	YELLOW
ST02044-3	1.4	RED
ST02044-4	1.5	BLUE
PROGRESSIVE SPRINGS		
ST02044-5	1.4	FUCHSIA
ST02044-6	1.5	GREEN







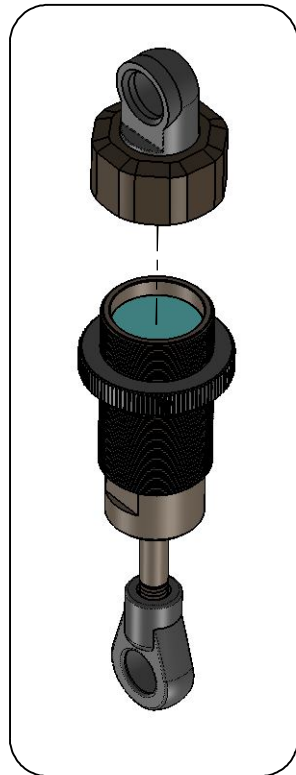
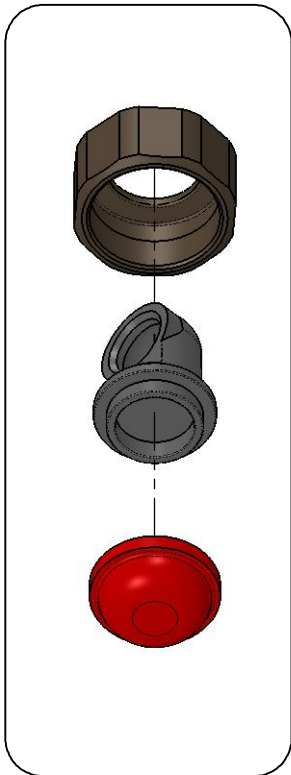
**SHOCK FILLING**

Fully extend the piston rod so the piston is at the bottom of the shock body.

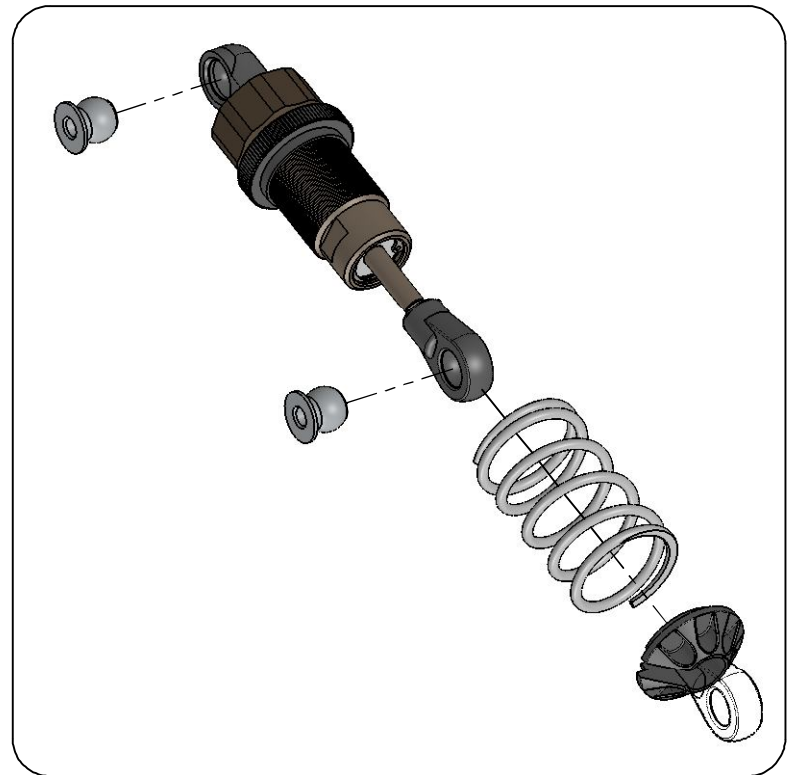
Hold the shock upright and fill the shock body with shock oil as in the picture.

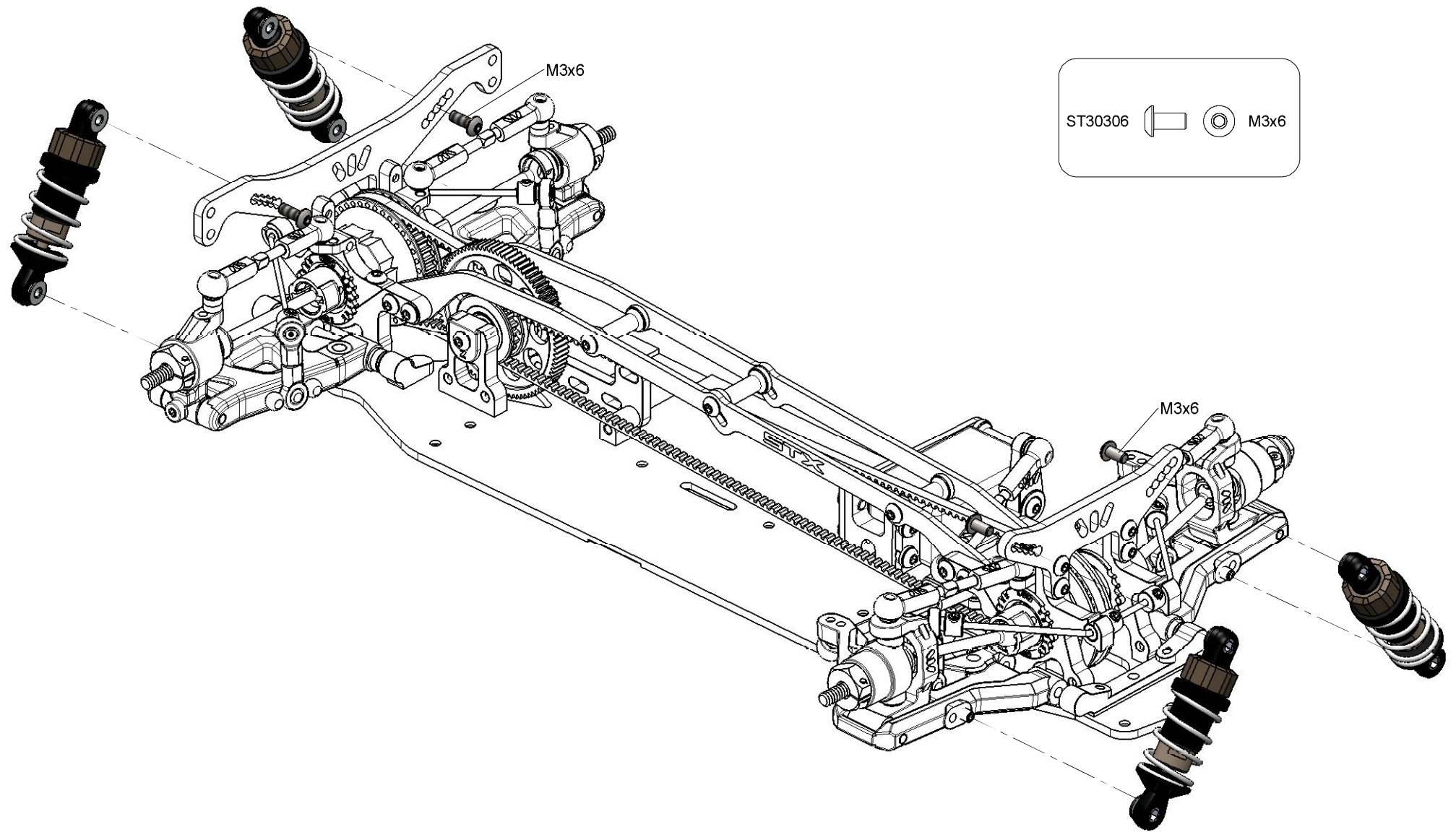
Let the oil settle and allow air bubbles to rise to the top. Slowly move the piston up and down until no more air bubbles appear. Add shock oil as necessary.

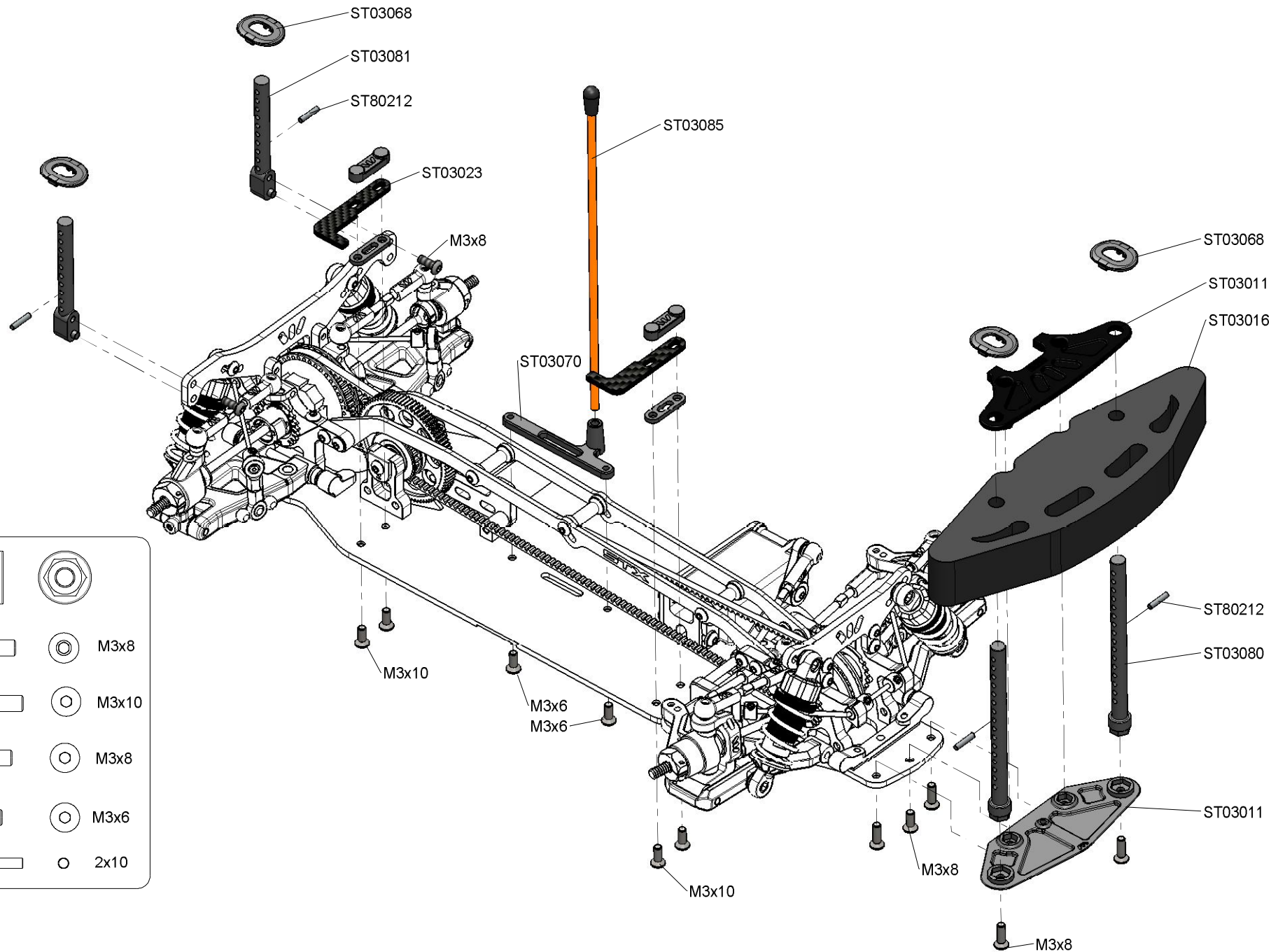
Pull the piston rod most of the way out of the shock bod. Let the shock rest for 5 minutes to allow the air bubbles to scape.

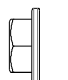



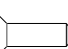

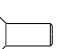



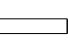



WRC SHOCK OIL	
RC0028	200 (IN KIT)
RC0029	400
RC0030	600
RC0031	800
RC0032	1000







ST03090		
ST30308		 M3x8
ST20310		 M3x10
ST20308		 M3x8
ST20306		 M3x6
ST80210		 2x10

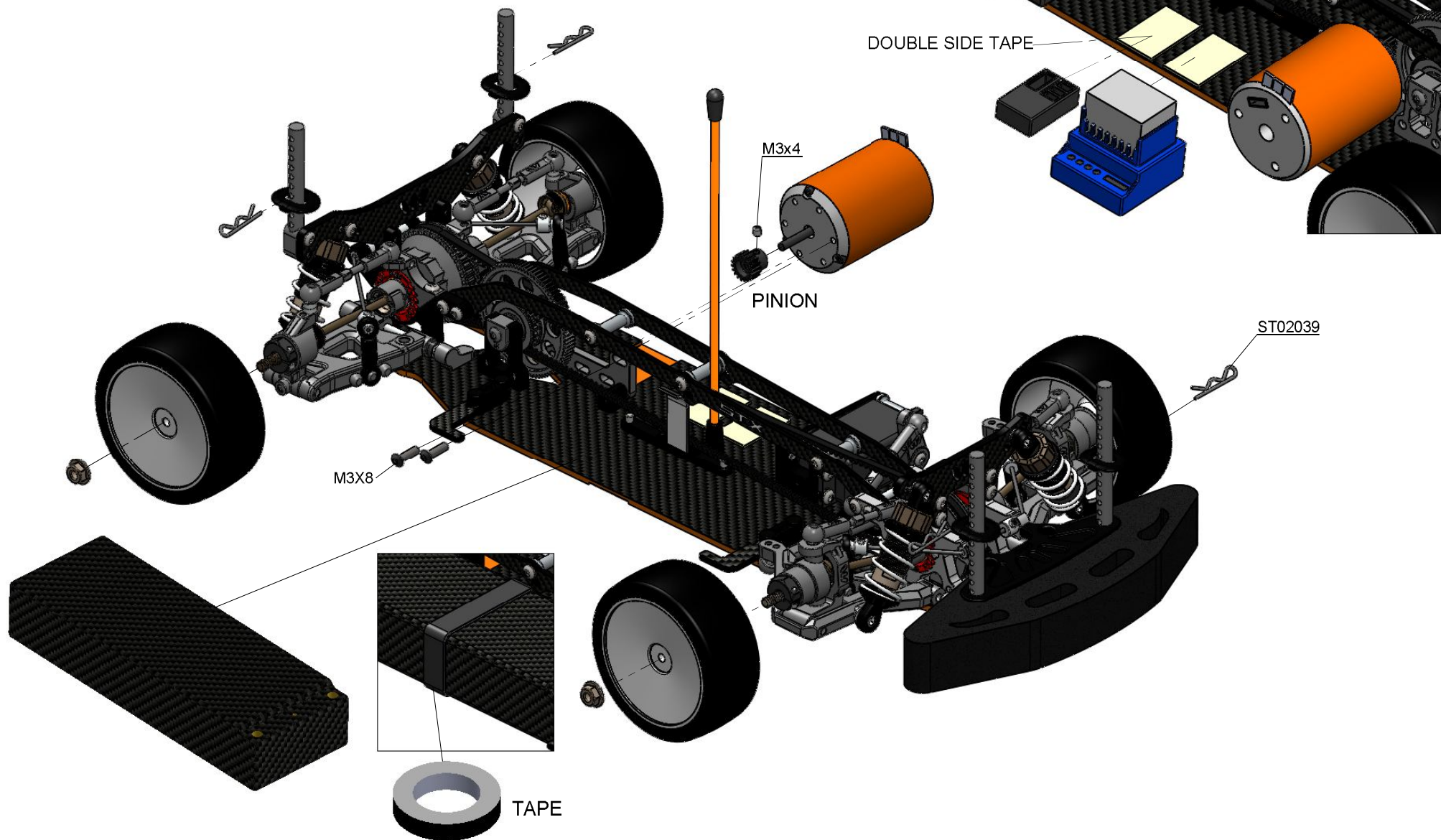


# STX

ST30308



M3X8





NAME \_\_\_\_\_  
 DATE \_\_\_\_\_  
 TRACK \_\_\_\_\_

**TRACK CONDITION**

SURFACE  SMOOTH  MEDIUM  BUMPY  
 SIZE  TIGHT  MEDIUM  FAST  
 TRACTION  LOW  MEDIUM  HIGH

**TRANSMISSION**

FRONT  SOLID AXLE  
 GEAR DIFFERENTIAL  
 REAR  GEAR DIFFERENTIAL

PINION \_\_\_\_\_ SPUR GEAR \_\_\_\_\_  
 FINAL DRIVE RATIO \_\_\_\_\_

**SHOCKS**

SPRINGS:	FRONT	REAR
BLACK	<input type="checkbox"/>	<input type="checkbox"/>
YELLOW	<input type="checkbox"/>	<input checked="" type="checkbox"/>
RED	<input checked="" type="checkbox"/>	<input type="checkbox"/>
BLUE	<input type="checkbox"/>	<input type="checkbox"/>
FUCHSIA	<input type="checkbox"/>	<input type="checkbox"/>
GREEN	<input type="checkbox"/>	<input type="checkbox"/>

**OIL:**

	FRONT	REAR
200	<input checked="" type="checkbox"/>	<input checked="" type="checkbox"/>
400	<input type="checkbox"/>	<input type="checkbox"/>
600	<input type="checkbox"/>	<input type="checkbox"/>
800	<input type="checkbox"/>	<input type="checkbox"/>
1000	<input type="checkbox"/>	<input type="checkbox"/>

**PISTON:**

1 HOLE    
 2 HOLES

LENGHT /mm \_\_\_\_\_  
 PRELOAD /mm \_\_\_\_\_  
 REBOUND % \_\_\_\_\_

**ANTI-ROLL BAR**

FRONT  1.3mm  1.4mm  1.5mm  
 REAR  1.1mm  1.2mm  1.3mm

**ROLL CENTER FRONT**

+ 1mm  
 + 0.5mm  
 0.0mm  
 - 0.5mm  
 - 1mm

**FRONT RIDE HEIGHT**

5mm  
 /mm

**TOE**

+ 1mm  
 /mm

**ROLL CENTER FRONT**

2.5mm = 2.5°

