



Driver: ROBERTO PACE

Event: REGIONALE SICILIA 2016 - PALERMO (POSITION 3°)

Date: 17/04/2016

Track: PISTA E. CAVIGLIA - VILLABATE (PA)

STX015

Track Condition

Composition: Asphalt Carpet
 Surface: Smooth Medium Bumpy
 Traction: Low Medium High
 Size: Tight Medium Open
 Track Temp.: 53 Air Temp.: 25

Electronics

Motor: LRP X20 Timing: 30° TF
 ESC: LRP FLOW COMP Battery: LRP 5800
 Spur: 92 Pinion: 44 Final Ratio: 3,97

Aerodynamics

Body: P. M.SPEED 6 Wing: MONT. HARD

Front **Shocks** Rear

WRC BLU - Spring - WRC GREEN

450 - Oil - 450

3 HOLE - Piston - 3 HOLE

0,25 - Rebound (%) - 0,25

Anti-Roll Bar

1,4 1,3

Tires

- Inserts -

- Rims -

BLU S. - Additive - BLU S.

30' - Additive Time - 30'



Transmission

Gear Ball - Differential - Gear Ball

- Oil - MUCHMORE

- Oil Weight (Grs) - 5000

- Settings -

Spool

Roll Center

Front-Front

Rear-Rear

(2.5 2) 0° (2 2.5)

(1 5°) (2.5 2)

(3 1.5) 0.5° (1.5 3)

(5 1°) (3 1.5)

(2 2.5) (3.5 1)

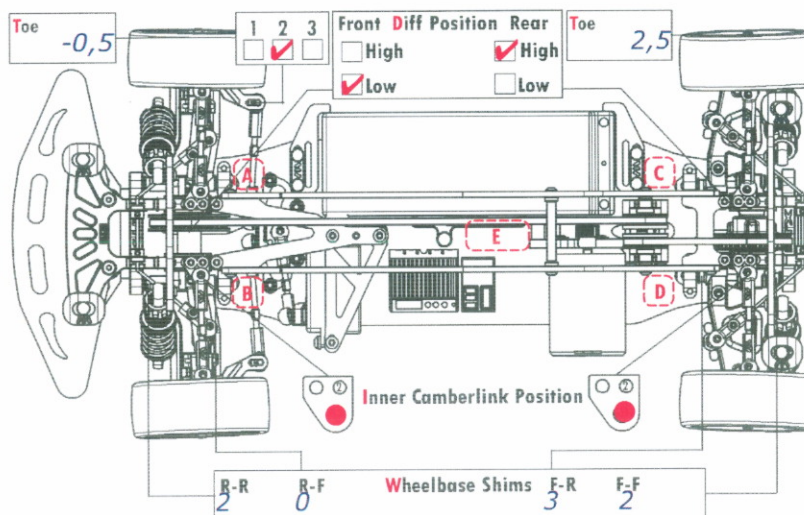
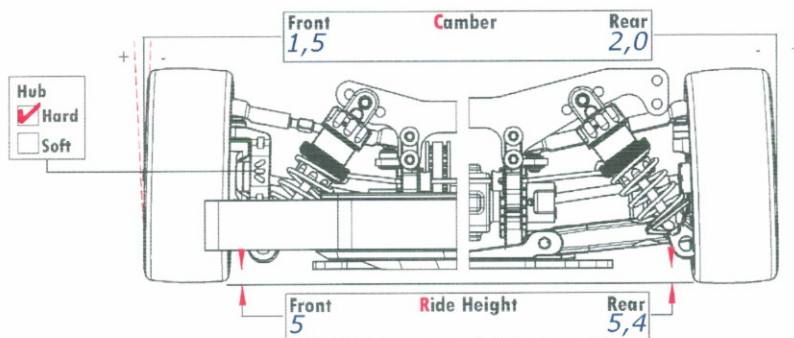
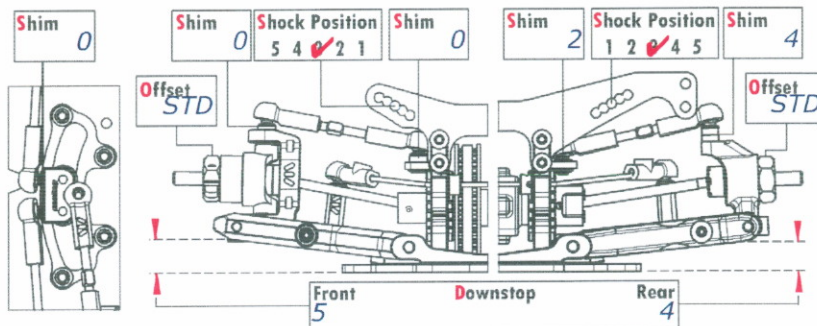
(2.5 2) (1 5°)

Front-Rear & Rear-Front

(2.5 2) Standard Position (2 2.5)

(3 1.5) (1.5 3)

(3.5 1) (2 2.5)



Balance Weight (Grs) - A: _____ B: _____ C: _____ D: FAN E: _____

Total Car Weight (Grs): 256



Comments