

# STX015

## Track Condition

Composition:  Asphalt  Carpet  
 Surface:  Smooth  Medium  Bumpy  
 Traction:  Low  Medium  High  
 Size:  Tight  Medium  Open  
 Track Temp.: \_\_\_\_\_ Air Temp.: \_\_\_\_\_

## Electronics

Motor: \_\_\_\_\_ Timing: \_\_\_\_\_  
 ESC: \_\_\_\_\_ Battery: \_\_\_\_\_  
 Spur: \_\_\_\_\_ Pinion: \_\_\_\_\_ Final Ratio: \_\_\_\_\_

## Aerodynamics

Body: \_\_\_\_\_ Wing: \_\_\_\_\_

<b>Front</b>	<b>Shocks</b>	<b>Rear</b>
_____	- Spring - _____	
_____	- Oil - _____	
_____	- Piston - _____	
_____	- Rebound (%) - _____	

## Anti-Roll Bar

\_\_\_\_\_

## Tires

- Inserts - \_\_\_\_\_  
 - Rims - \_\_\_\_\_  
 - Additive - \_\_\_\_\_  
 - Additive Time - \_\_\_\_\_

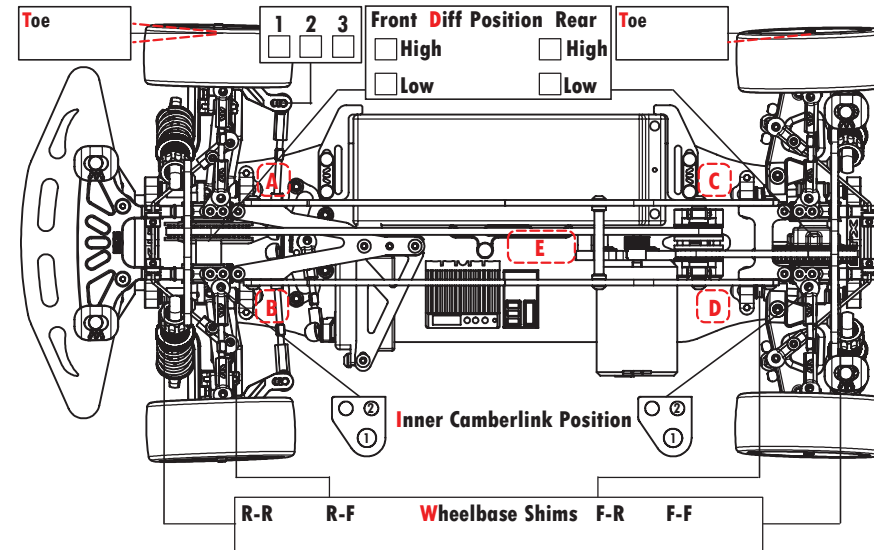
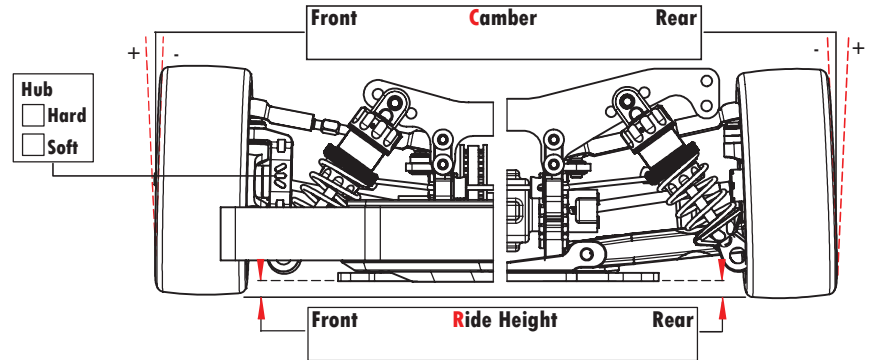
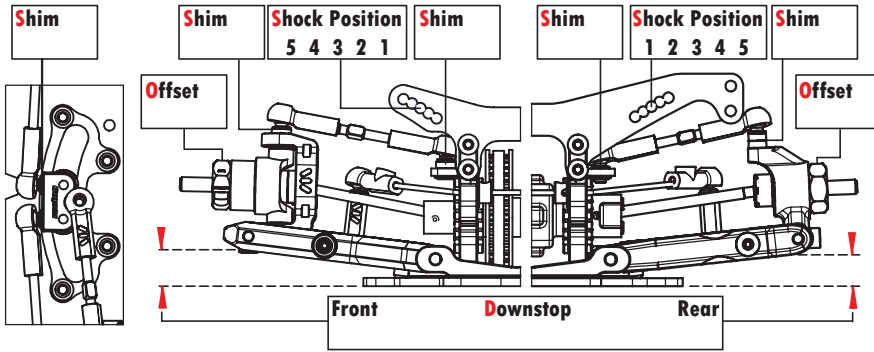
Front Left	Front Right	Surface	Rear Left	Rear Right

## Transmission

Gear  Ball - Differential -  Gear  Ball  
 - Oil - \_\_\_\_\_  
 - Oil Weight (Grs) - \_\_\_\_\_  
 - Settings - \_\_\_\_\_  
 Spool

## Roll Center

<b>Front-Front</b>	<b>Rear-Rear</b>
(2.5 2) <input type="checkbox"/> 0° <input type="checkbox"/> (2 5/2) (3 1.5) <input type="checkbox"/> 0.5° <input type="checkbox"/> (3 1.5)	(1 3.5) <input type="checkbox"/> <input type="checkbox"/> (2.5 2) (5 1.5) <input type="checkbox"/> <input type="checkbox"/> (3 1.5) (2 2.5) <input type="checkbox"/> <input type="checkbox"/> (3.5 1)
<b>Front-Rear &amp; Rear-Front</b>	
(2.5 2) Standard Position (2 2.5)	(2.5 2) <input type="checkbox"/> <input type="checkbox"/> (3.5 1) <input type="checkbox"/> (3 1.5) <input type="checkbox"/> (3 1.5) <input type="checkbox"/> (3 1.5) <input type="checkbox"/> <input type="checkbox"/> (3 1.5) <input type="checkbox"/> (3 1.5) <input type="checkbox"/> (3.5 1) <input type="checkbox"/> <input type="checkbox"/> (2.5 2) <input type="checkbox"/> (2.5 2) <input type="checkbox"/>



Balance Weight (Grs) - A: \_\_\_\_\_ B: \_\_\_\_\_ C: \_\_\_\_\_ D: \_\_\_\_\_ E: \_\_\_\_\_  
 Total Car Weight (Grs): \_\_\_\_\_  
 Rear Hub  1  2

## Comments