

# STX015

## Track Condition

Composition:  Asphalt  Carpet  
 Surface:  Smooth  Medium  Bumpy  
 Traction:  Low  Medium  High  
 Size:  Tight  Medium  Open  
 Track Temp.: \_\_\_\_\_ Air Temp.: \_\_\_\_\_

## Electronics

Motor: \_\_\_\_\_ Timing: \_\_\_\_\_  
 ESC: \_\_\_\_\_ Battery: \_\_\_\_\_  
 Spur: \_\_\_\_\_ Pinion: \_\_\_\_\_ Final Ratio: \_\_\_\_\_

## Aerodynamics

Body: \_\_\_\_\_ Wing: \_\_\_\_\_

<b>Front</b>	<b>Shocks</b>	<b>Rear</b>
_____	- Spring - _____	_____
_____	- Oil - _____	_____
_____	- Piston - _____	_____
_____	- Rebound (%) - _____	_____

## Anti-Roll Bar

\_\_\_\_\_

## Tires

- Inserts - \_\_\_\_\_  
 - Rims - \_\_\_\_\_  
 - Additive - \_\_\_\_\_  
 - Additive Time - \_\_\_\_\_

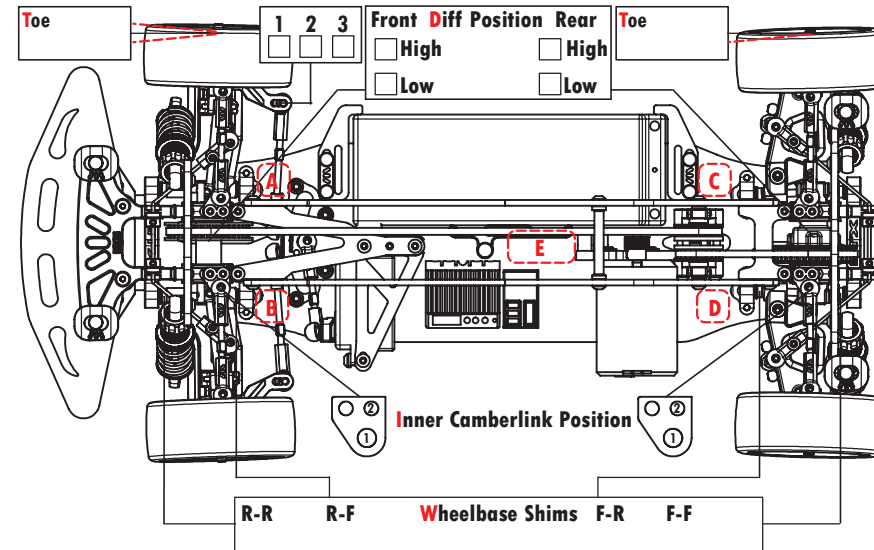
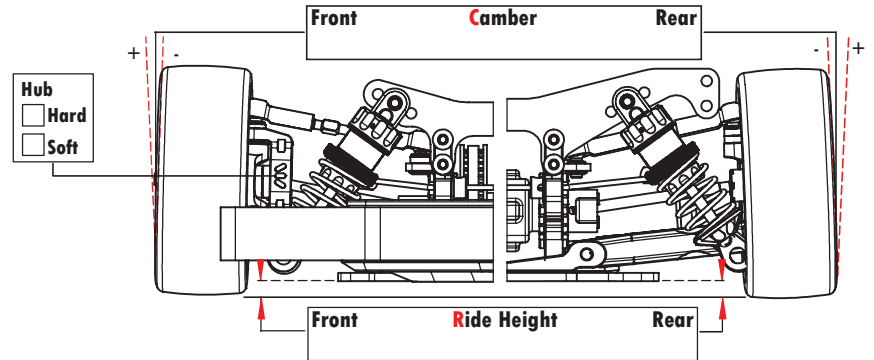
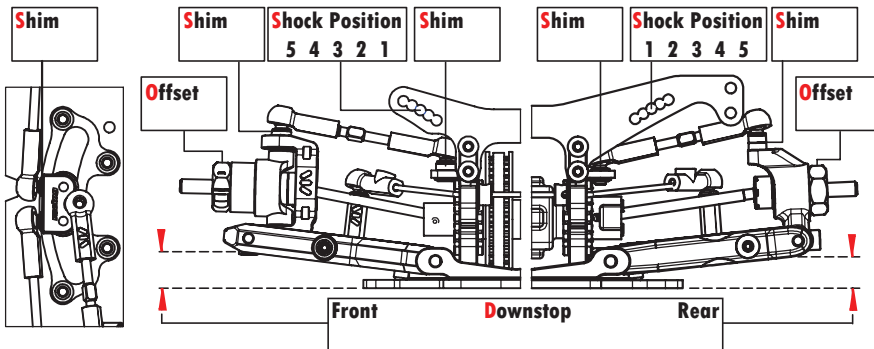
Front Left	Front Right	Surface	Rear Left	Rear Right

## Transmission

Gear  Ball - Differential -  Gear  Ball  
 - Oil - \_\_\_\_\_  
 - Oil Weight (Grs) - \_\_\_\_\_  
 - Settings - \_\_\_\_\_  
 Spool

## Roll Center

<b>Front-Front</b>		<b>Rear-Rear</b>	
<input type="checkbox"/> 2.5	<input type="checkbox"/> 2	<input type="checkbox"/> 0°	<input type="checkbox"/> 2
<input type="checkbox"/> 3	<input type="checkbox"/> 1.5	<input type="checkbox"/> 0.5°	<input type="checkbox"/> 1.5
<input type="checkbox"/> 2.5	<input type="checkbox"/> 2	<input type="checkbox"/> 3.5	<input type="checkbox"/> 1
<input type="checkbox"/> 3	<input type="checkbox"/> 1.5	<input type="checkbox"/> 3.5	<input type="checkbox"/> 1.5
<input type="checkbox"/> 2.5	<input type="checkbox"/> 2	<input type="checkbox"/> 3.5	<input type="checkbox"/> 1
<b>Front-Rear &amp; Rear-Front</b>			
<input type="checkbox"/> 2.5	<input type="checkbox"/> 2	<input type="checkbox"/> Standard Position	<input type="checkbox"/> 2
<input type="checkbox"/> 3	<input type="checkbox"/> 1.5	<input type="checkbox"/> 3.5	<input type="checkbox"/> 1
<input type="checkbox"/> 3.5	<input type="checkbox"/> 1	<input type="checkbox"/> 2.5	<input type="checkbox"/> 2



Balance Weight (Grs) - A: \_\_\_\_\_ B: \_\_\_\_\_ C: \_\_\_\_\_ D: \_\_\_\_\_ E: \_\_\_\_\_  
 Total Car Weight (Grs): \_\_\_\_\_

**Rear Hub**  
 1  
 2

## Comments