

Track Condition

Composition: Asphalt Carpet
 Surface: Smooth Medium Bumpy
 Traction: Low Medium High
 Size: Tight Medium Open
 Track Temp.: _____ Air Temp.: _____

Electronics

Motor: _____ Timing: _____
 ESC: _____ Battery: _____
 Spur: _____ Pinion: _____ Final Ratio: _____

Aerodynamics

Body: _____ Wing: _____

Front Shocks Rear

_____ - Spring - _____
 _____ - Oil - _____
 _____ - Piston - _____
 _____ - Rebound (%) - _____

Anti-Roll Bar

Tires
 _____ - Inserts - _____
 _____ - Rims - _____
 _____ - Additive - _____
 _____ - Additive Time - _____



Transmission

_____ - Oil - _____
 _____ - Oil Weight (Grs) - _____
 _____ - Setting - _____
 Spool

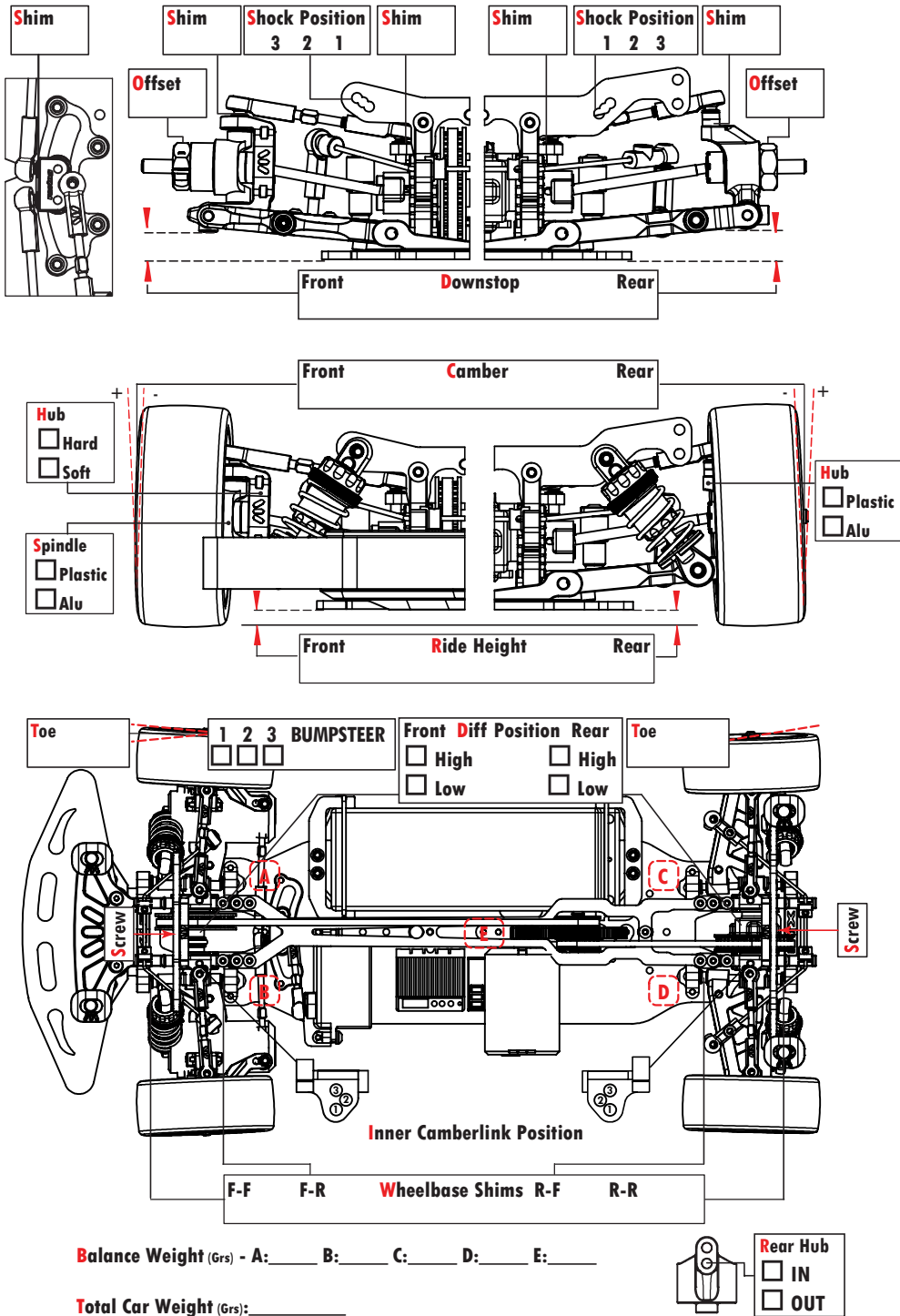
Roll Center

_____ - Setting - _____

Front-Front			Rear-Rear		
2.5	2	0°	2.5	2	3.5
3	1.5	0.5°	3	1.5	3
<input type="checkbox"/> Alu	<input type="checkbox"/> Brass		2	2.5	2
			2.5	2	2.5
			3	1.5	3
			3.5	1	3

Front-Rear & Rear-Front

Front-Rear & Rear-Front		Standard Position	
2.5	2	2	2.5
<input type="checkbox"/> Alu	<input type="checkbox"/> Brass		
FR: <input type="checkbox"/> Alu	<input type="checkbox"/> Brass		
RF: <input type="checkbox"/> Alu	<input type="checkbox"/> Brass		



Notes