

Driver: _____ Date: _____

Event: _____

Track: _____

Composition: Asphalt Carpet Other: _____

Surface: Bumpy Both Smooth _____

Layout: Open Mixed Tight _____

Traction: Low Medium High _____

Front

Spring: _____

Track width: _____

Ride height: _____



2 mm 3 mm 4 mm

Front wing: Kit Other: _____

Front tire: _____

Treatment: _____

Surface & time: _____

Center

Oil: _____

Piston hole: _____

Damper spring: _____

Damper spring preload: _____

Side Absorber lube: _____

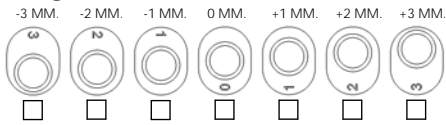
Side spring: _____

Side spring preload: _____

Rear

Track width: _____

Ride height: _____



Rear wing: Kit Carbone Other: _____

Rear wing position: 1-Low 2-High _____

Rear tire: _____

Treatment: _____

Surface & time: _____

Motor: _____

Pinion / Spur: _____ / _____ Pitch: _____

ESC: _____

ESC setting: _____

Battery: _____

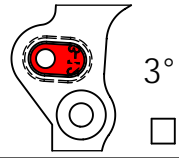
Servo: _____

Radio: _____

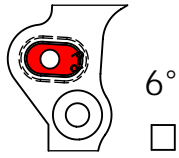
Receiver: _____

VIEW FROM TOP

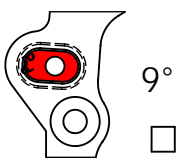
CASTER



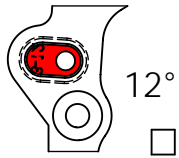
3°



6°

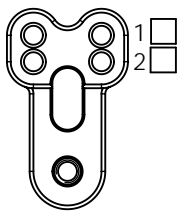


9°



12°

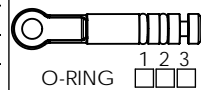
ACKERMANN



1

2

ABSORBER

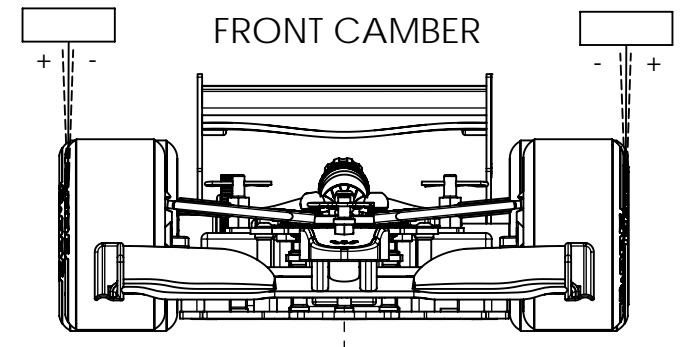
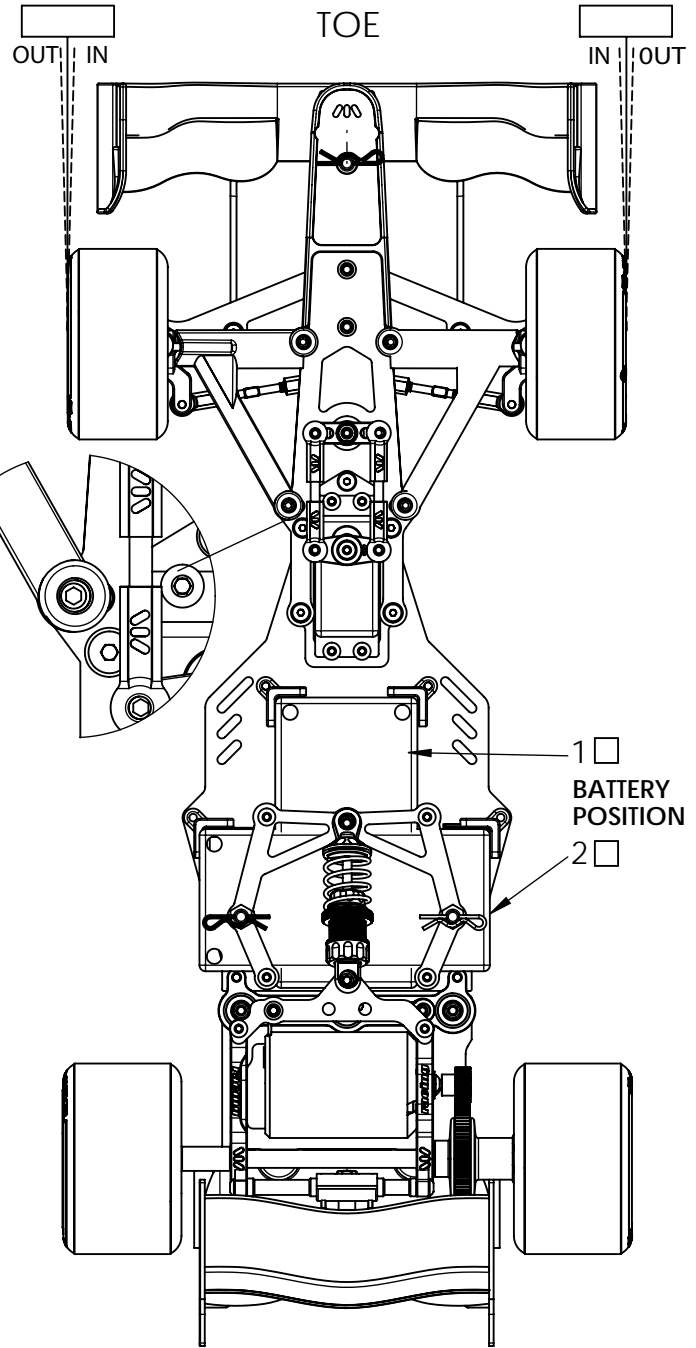


O-RING

1

2

3



Comments: _____

