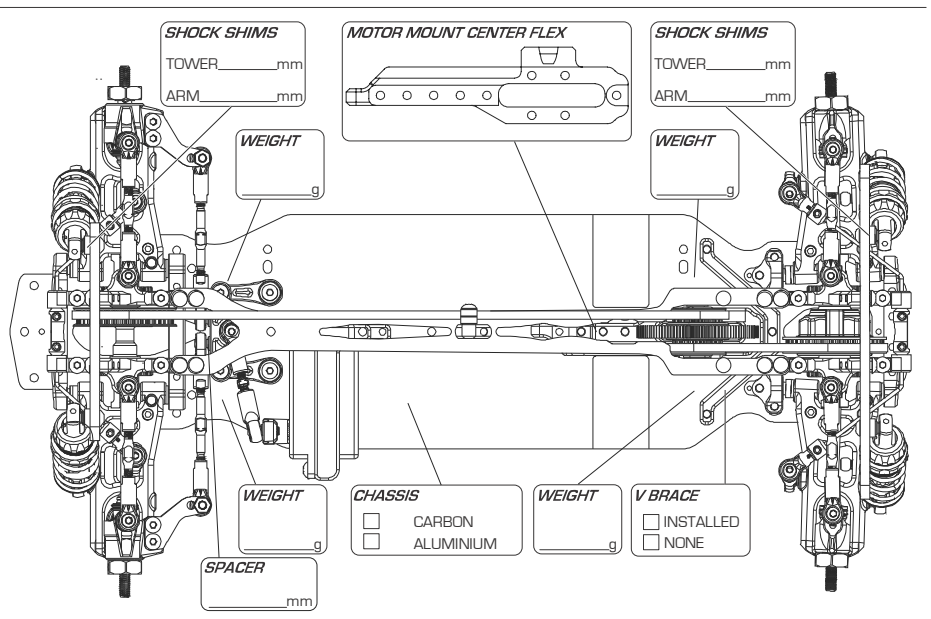


FRONT SHOCK	REAR SHOCK
PISTON 3 4 hole(s) / OTHERS _____	PISTON 3 4 hole(s) / OTHERS _____
OIL _____	OIL _____
SPRING _____	SPRING _____
OIL SEALER CAP CLEAN / BLACK / BLUE / RED	
REBOUND _____ %	REBOUND _____ %
NOTES _____	NOTES _____



MOTOR _____	SPUR _____	T _____	PINION _____	T _____	PITCH _____	T _____
TIRE _____	TIRE INSERT _____		WHEEL _____			
TIRE ADDICTIVE _____	BODY _____		WING _____			
ESC _____	BATTERY _____					
REMARKS _____						

REMARKS